

**SAIE-M12S-5S-F5.5TL****Weidmüller Interface GmbH & Co. KG**

Klingenbergstraße 26

D-32758 Detmold

Germany

Fon: +49 5231 14-0

Fax: +49 5231 14-292083

www.weidmueller.com

**Similar to illustration**

Weidmüller is one of the industry's leading international providers of connectors. An important mainstay in this product family are the circular connectors, which Weidmüller groups under the product name SAI. In the development of SAI products, Weidmüller engineers have always concentrated on achieving rational, cost-effective installation concepts, and – in cooperation with major users – have supplied the markets with well-conceived products which set standards in terms of functionality and quality across the globe. The best examples are the new power distributors with S and T coded M12. These modules are characterised by particularly high currents and voltages. This enables them to also be used, for example, with three-phase motors.

**General ordering data**

Type	SAIE-M12S-5S-F5.5TL
Order No.	<a href="#">2423 150000</a>
Version	Built-in plugs, M12, M 12, Number of poles: 5, Front mounting
GTIN (EAN)	4050118431582
Qty.	10 pc(s).

Creation date May 2, 2020 6:24:25 PM CEST

Catalogue status 17.04.2020 / We reserve the right to make technical changes.

## SAIE-M12S-5S-F5.5TL

Weidmüller Interface GmbH &amp; Co. KG

Klingenbergstraße 26

D-32758 Detmold

Germany

Fon: +49 5231 14-0

Fax: +49 5231 14-292083

www.weidmueller.com

## Technical data

## Dimensions and weights

Net weight 10 g

## Environmental Product Compliance

REACH SVHC Lead 7439-92-1

## Technical data of PCB plug-in connector

Coding	A	Housing surface	nickel-plated
Housings	M12 pin	Mounting height	5.5 mm
Mounting thread	M12	Number of poles	5
Shield connection	Yes	Type of mounting	Front mounting
Rated voltage	60 V	Rated voltage (text)	250 V (4-pole) / 60 V (5-pole)
Rated current	4 A	Rated current	4 A
Temperature range	-30...80 °C	Protection degree	IP67
Contact surface	Au (Gold)	Housing main material	CuZn, nickel-plated
Connection thread	M12	Tightening torque	M12: 0.8 Nm
Mounting thread	M 12	Mounting torque range	1.2 Nm
Insulation strength	100 MΩ	Pollution severity	3 (2 within the sealed area)
Plugging cycles	≥ 100	Contact material	CuZn
Lock nut material	Nickel-plated CuZn	Material of the flange-mounted housing	Nickel-plated CuZn

## Material data

Contact material CuZn Contact surface Au (Gold)

## System parameters

Insulation strength	100 MΩ	Number of poles	5
Pin series quantity	1	Plugging cycles	≥ 100
Protection degree	IP67		

## Classifications

ETIM 6.0	EC002638	ETIM 7.0	EC002638
eClass 9.0	27-44-03-09	eClass 9.1	27-44-03-09
eClass 10.0	27-44-03-09		

## Approvals

ROHS Conform

## Downloads

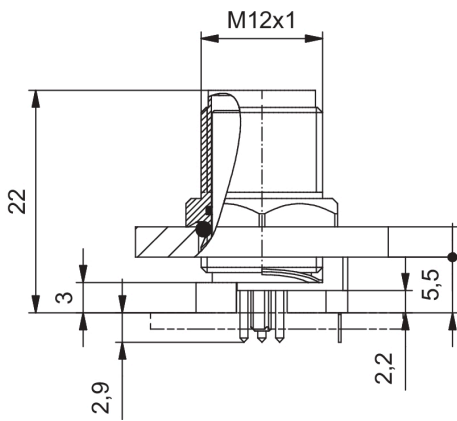
Brochure/Catalogue [FL FIELDWIRING EN](#)  
 Engineering Data [STEP](#)

**SAIE-M12S-5S-F5.5TL**

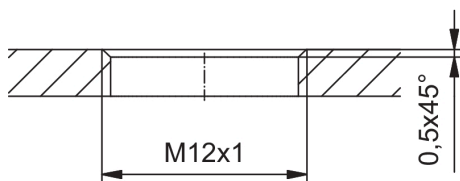
**Weidmüller Interface GmbH & Co. KG**  
 Klingenbergstraße 26  
 D-32758 Detmold  
 Germany  
 Fon: +49 5231 14-0  
 Fax: +49 5231 14-292083  
 www.weidmueller.com

**Drawings**

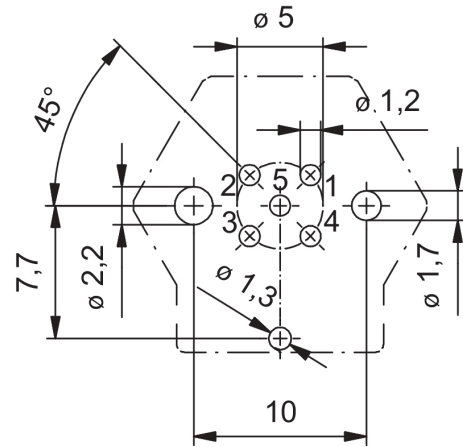
**Dimensioned drawing**



**Front panel section**



**PCB design**



**Pole scheme**

