

SAIE-M8S-3-F9SMT**Weidmüller Interface GmbH & Co. KG**

Klingenbergstraße 26

D-32758 Detmold

Germany

Fon: +49 5231 14-0

Fax: +49 5231 14-292083

www.weidmueller.com

Similar to illustration

Weidmüller is one of the industry's leading international providers of connectors. An important mainstay in this product family are the circular connectors, which Weidmüller groups under the product name SAI. In the development of SAI products, Weidmüller engineers have always concentrated on achieving rational, cost-effective installation concepts, and – in cooperation with major users – have supplied the markets with well-conceived products which set standards in terms of functionality and quality across the globe. The best examples are the new power distributors with S and T coded M12. These modules are characterised by particularly high currents and voltages. This enables them to also be used, for example, with three-phase motors.

General ordering data

Type	SAIE-M8S-3-F9SMT
Order No.	2422260000
Version	Built-in plugs, M8, Number of poles: 3, Front mounting
GTIN (EAN)	4050118429664
Qty.	25 pc(s).

Creation date May 2, 2020 6:47:46 PM CEST

SAIE-M8S-3-F9SMT

Weidmüller Interface GmbH & Co. KG

Klingenbergstraße 26

D-32758 Detmold

Germany

Fon: +49 5231 14-0

Fax: +49 5231 14-292083

www.weidmueller.com

Technical data

Dimensions and weights

Net weight	7.76 g
------------	--------

Environmental Product Compliance

REACH SVHC	Lead 7439-92-1
------------	----------------

Technical data of PCB plug-in connector

Coding	M8 = none	Housing surface	nickel-plated
Housings	M8 pin	Mounting height	9 mm
Mounting thread	M10	Number of poles	3
Shield connection	No	Type of mounting	Front mounting
Rated voltage	60 V	Rated voltage (text)	60 V (3-pole) / 30 V (4-,5- and 8-pole)
Rated current	4 A	Rated current	4 A (3-, 4- and 5-pole) / 1.5 A (8-pole)
Temperature range	-30...80 °C	Protection degree	IP67
Contact surface	Au (Gold)	Housing main material	CuZn, nickel-plated
Connection thread	M8	Tightening torque	M8: 0.5 Nm
Mounting thread	M10	Mounting torque range	0.8 Nm
Insulation strength	100 MΩ	Pollution severity	3 (2 within the sealed area)
Plugging cycles	≥ 100	Contact material	CuZn
Seal material	NBR	Lock nut material	Nickel-plated CuZn
Material of the flange-mounted housing	Nickel-plated CuZn	Grouting material	PUR

Material data

Contact material	CuZn	Contact surface	Au (Gold)
------------------	------	-----------------	-----------

System parameters

Insulation strength	100 MΩ	Number of poles	3
Pin series quantity	1	Plugging cycles	≥ 100
Protection degree	IP67		

Classifications

ETIM 6.0	EC002638	ETIM 7.0	EC002638
eClass 9.0	27-44-03-09	eClass 9.1	27-44-03-09
eClass 10.0	27-44-03-09		

Approvals

ROHS	Conform
------	---------

Downloads

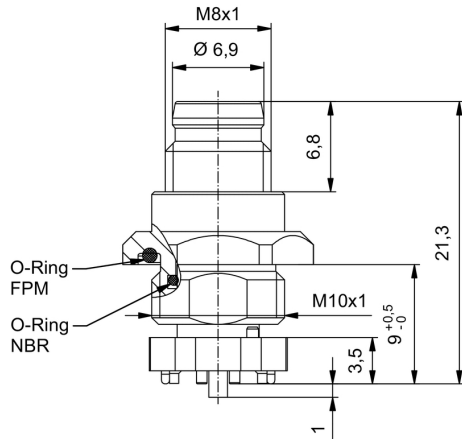
Brochure/Catalogue	FL FIELDWIRING EN
Engineering Data	STEP

SAIE-M8S-3-F9SMT

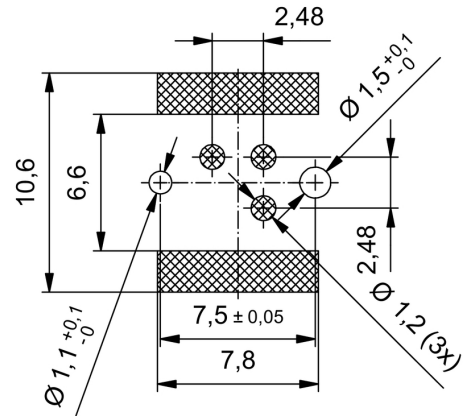
Weidmüller Interface GmbH & Co. KG
 Klingenbergstraße 26
 D-32758 Detmold
 Germany
 Fon: +49 5231 14-0
 Fax: +49 5231 14-292083
 www.weidmueller.com

Drawings

Dimensioned drawing



PCB design



Pole scheme

