

**SAID-M12B-4-9SMT****Weidmüller Interface GmbH & Co. KG**

Klingenbergstraße 26

D-32758 Detmold

Germany

Fon: +49 5231 14-0

Fax: +49 5231 14-292083

www.weidmueller.com

**Similar to illustration**

Weidmüller is one of the industry's leading international providers of connectors. An important mainstay in this product family are the circular connectors, which Weidmüller groups under the product name SAI. In the development of SAI products, Weidmüller engineers have always concentrated on achieving rational, cost-effective installation concepts, and – in cooperation with major users – have supplied the markets with well-conceived products which set standards in terms of functionality and quality across the globe. The best examples are the new power distributors with S and T coded M12. These modules are characterised by particularly high currents and voltages. This enables them to also be used, for example, with three-phase motors.

**General ordering data**

Type	SAID-M12B-4-9SMT
Order No.	<a href="#">2422060000</a>
Version	Built-in plugs, M12, Socket connector, Number of poles: 4
GTIN (EAN)	4050118430585
Qty.	25 pc(s).

Creation date May 2, 2020 6:53:25 PM CEST

Catalogue status 17.04.2020 / We reserve the right to make technical changes.

## SAID-M12B-4-9SMT

**Weidmüller Interface GmbH & Co. KG**

Klingenbergstraße 26

D-32758 Detmold

Germany

Fon: +49 5231 14-0

Fax: +49 5231 14-292083

www.weidmueller.com

## Technical data

### Dimensions and weights

Net weight 3.12 g

### Environmental Product Compliance

REACH SVHC Lead 7439-92-1

### Technical data of PCB plug-in connector

Coding	A	Housings	M12 socket
Number of poles	4	Shield connection	No
Rated voltage	250 V	Rated voltage (text)	250 V (4-pole) / 60 V (5-pole) / 30 V (8-pole)
Rated current	4 A	Rated current	4 A (4- and 5-pole) / 2 A (8-pole)
Temperature range	-25...95 °C	Protection degree	IP67
Contact surface	Au (Gold)	Housing main material	LCP
Connection thread	M12	Tightening torque	M12: 0.8 Nm
Insulation strength	100 MΩ	Pollution severity	3 (2 within the sealed area)
Plugging cycles	≥ 100	Contact material	CuZn
Lock nut material	Nickel-plated CuZn	Material of the flange-mounted housing	Nickel-plated CuZn

### Material data

Contact material CuZn Contact surface Au (Gold)

### System parameters

Insulation strength	100 MΩ	Number of poles	4
Pin series quantity	1	Plugging cycles	≥ 100
Protection degree	IP67		

### Classifications

ETIM 6.0	EC000438	ETIM 7.0	EC000438
eClass 9.1	27-44-02-05	eClass 10.0	27-44-02-23

### Approvals

ROHS Conform

### Downloads

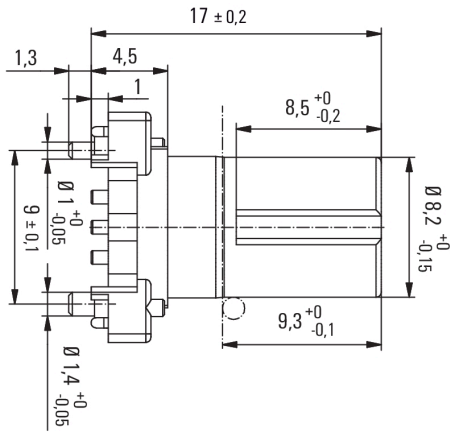
Brochure/Catalogue [FL FIELDWIRING EN](#)

**SAID-M12B-4-9SMT**

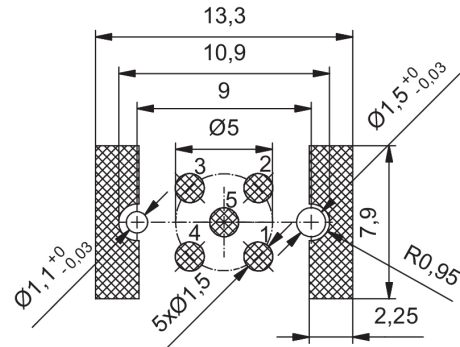
**Weidmüller Interface GmbH & Co. KG**  
 Klingenbergstraße 26  
 D-32758 Detmold  
 Germany  
 Fon: +49 5231 14-0  
 Fax: +49 5231 14-292083  
 www.weidmueller.com

**Drawings**

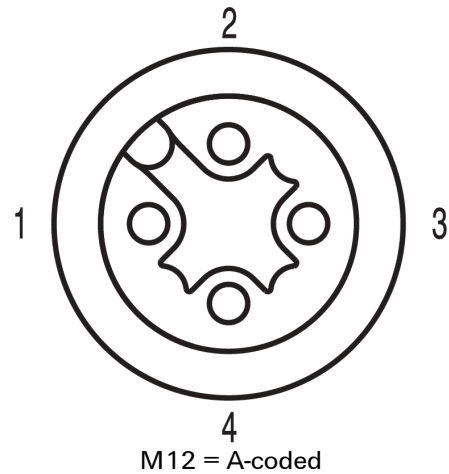
**Dimensioned drawing**



**PCB design**



**Pole scheme**



## SAID-M12B-4-9SMT

Weidmüller Interface GmbH &amp; Co. KG

Klingenbergstraße 26

D-32758 Detmold

Germany

Fon: +49 5231 14-0

Fax: +49 5231 14-292083

www.weidmueller.com

## Accessories

## Accessories



Weidmüller is one of the industry's leading international providers of connectors. An important mainstay in this product family are the circular connectors, which Weidmüller groups under the product name SAI. In the development of SAI products, Weidmüller engineers have always concentrated on achieving rational, cost-effective installation concepts, and – in cooperation with major users – have supplied the markets with well-conceived products which set standards in terms of functionality and quality across the globe. The best examples are the new power distributors with S and T coded M12. These modules are characterised by particularly high currents and voltages. This enables them to also be used, for example, with three-phase motors.

## General ordering data

Type	SAIFG-M14X1-B-1	Version
Order No.	<a href="#">2423920000</a>	Built-in plug housing, M12 socket, Mounting height: 9 mm
GTIN (EAN)	4050118431803	
Qty.	25 pc(s).	
Type	SAIE-KMM14X1-SW15	Version
Order No.	<a href="#">2424010000</a>	Locknut
GTIN (EAN)	4050118431230	
Qty.	25 pc(s).	
Type	SAIFG-M14X1-B-2	Version
Order No.	<a href="#">2423950000</a>	Built-in plug housing, M12 socket, Mounting height: 13 mm
GTIN (EAN)	4050118432336	
Qty.	25 pc(s).	