

SAID-M8S-5S-SMT**Weidmüller Interface GmbH & Co. KG**

Klingenbergstraße 26

D-32758 Detmold

Germany

Fon: +49 5231 14-0

Fax: +49 5231 14-292083

www.weidmueller.com

Similar to illustration

Weidmüller is one of the industry's leading international providers of connectors. An important mainstay in this product family are the circular connectors, which Weidmüller groups under the product name SAI. In the development of SAI products, Weidmüller engineers have always concentrated on achieving rational, cost-effective installation concepts, and – in cooperation with major users – have supplied the markets with well-conceived products which set standards in terms of functionality and quality across the globe. The best examples are the new power distributors with S and T coded M12. These modules are characterised by particularly high currents and voltages. This enables them to also be used, for example, with three-phase motors.

General ordering data

Type	SAID-M8S-5S-SMT
Order No.	2422050000
Version	Built-in plugs, M8, Pin, Number of poles: 5
GTIN (EAN)	4050118429596
Qty.	25 pc(s).

SAID-M8S-5S-SMT

Weidmüller Interface GmbH & Co. KG
 Klingenbergstraße 26
 D-32758 Detmold
 Germany
 Fon: +49 5231 14-0
 Fax: +49 5231 14-292083
 www.weidmueller.com

Technical data

Dimensions and weights

Net weight 3.36 g

Environmental Product Compliance

REACH SVHC Lead 7439-92-1

Technical data of PCB plug-in connector

Coding	B	Housings	M8 pin
Number of poles	5	Shield connection	Yes
Rated voltage	30 V	Rated voltage (text)	60 V (3-pole) / 30 V (4-,5- and 8-pole)
Rated current	4 A	Rated current	4 A (3-, 4- and 5-pole) / 1.5 A (8-pole)
Temperature range	-25...95 °C	Protection degree	IP67
Contact surface	Au (Gold)	Housing main material	LCP
Connection thread	M8	Tightening torque	M8: 0.5 Nm
Insulation strength	100 MΩ	Pollution severity	3 (2 within the sealed area)
Plugging cycles	≥ 100	Contact material	CuZn
Lock nut material	Nickel-plated CuZn	Material of the flange-mounted housing	Nickel-plated CuZn

Material data

Contact material CuZn Contact surface Au (Gold)

System parameters

Insulation strength	100 MΩ	Number of poles	5
Pin series quantity	1	Plugging cycles	≥ 100
Protection degree	IP67		

Classifications

ETIM 6.0	EC000438	ETIM 7.0	EC000438
eClass 9.1	27-44-02-05	eClass 10.0	27-44-02-23

Approvals

ROHS Conform

Downloads

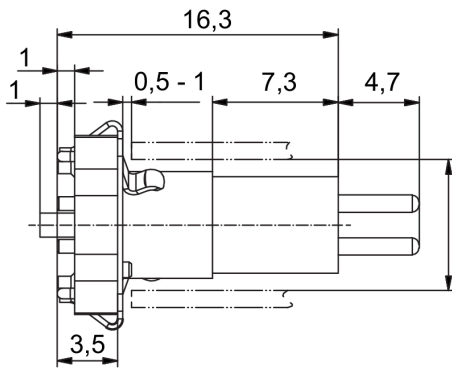
Brochure/Catalogue [FL FIELDWIRING EN](#)
 Engineering Data [STEP](#)

SAID-M8S-5S-SMT

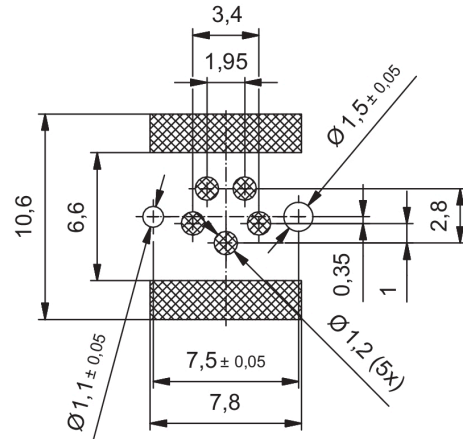
Weidmüller Interface GmbH & Co. KG
 Klingenbergstraße 26
 D-32758 Detmold
 Germany
 Fon: +49 5231 14-0
 Fax: +49 5231 14-292083
 www.weidmueller.com

Drawings

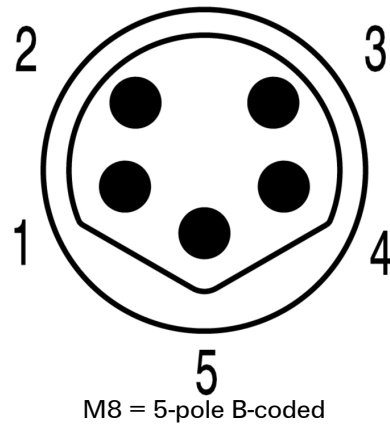
Dimensioned drawing



PCB design



Pole scheme



SAID-M8S-5S-SMT**Weidmüller Interface GmbH & Co. KG**

Klingenbergstraße 26

D-32758 Detmold

Germany

Fon: +49 5231 14-0

Fax: +49 5231 14-292083

www.weidmueller.com

Accessories**Accessories**

Weidmüller is one of the industry's leading international providers of connectors. An important mainstay in this product family are the circular connectors, which Weidmüller groups under the product name SAI. In the development of SAI products, Weidmüller engineers have always concentrated on achieving rational, cost-effective installation concepts, and – in cooperation with major users – have supplied the markets with well-conceived products which set standards in terms of functionality and quality across the globe. The best examples are the new power distributors with S and T coded M12. These modules are characterised by particularly high currents and voltages. This enables them to also be used, for example, with three-phase motors.

General ordering data

Type	SAIHG-M8S-M12-10	Version
Order No.	2424550000	Built-in plugs, M8 pin, Mounting height: 10 mm
GTIN (EAN)	4050118431629	
Qty.	25 pc(s).	
Type	SAIFG-M8S-M10-9	Version
Order No.	2424520000	Built-in plugs, M8 pin, Mounting height: 9 mm
GTIN (EAN)	4050118432251	
Qty.	25 pc(s).	
Type	SAIE-KMM12X1-SW14	Version
Order No.	2424570000	Built-in plugs
GTIN (EAN)	4050118432473	
Qty.	25 pc(s).	
Type	SAIHG-M8S-M12-6	Version
Order No.	2424540000	Built-in plugs, M8 pin, Mounting height: 6 mm
GTIN (EAN)	4050118432381	
Qty.	25 pc(s).	
Type	SAIFG-M8S-M10-13	Version
Order No.	2424530000	Built-in plugs, M8 pin, Mounting height: 13 mm
GTIN (EAN)	4050118432343	
Qty.	25 pc(s).	
Type	SAIE-KMM10X1-SW12	Version
Order No.	2424560000	Built-in plugs
GTIN (EAN)	4050118432107	
Qty.	25 pc(s).	