

SAIE-M12SB-4-H12TL-PG9**Weidmüller Interface GmbH & Co. KG**

Klingenbergstraße 26

D-32758 Detmold

Germany

Fon: +49 5231 14-0

Fax: +49 5231 14-292083

www.weidmueller.com

Similar to illustration

Weidmüller is one of the industry's leading international providers of connectors. An important mainstay in this product family are the circular connectors, which Weidmüller groups under the product name SAI. In the development of SAI products, Weidmüller engineers have always concentrated on achieving rational, cost-effective installation concepts, and – in cooperation with major users – have supplied the markets with well-conceived products which set standards in terms of functionality and quality across the globe. The best examples are the new power distributors with S and T coded M12. These modules are characterised by particularly high currents and voltages. This enables them to also be used, for example, with three-phase motors.

General ordering data

| | |
|------------|--|
| Type | SAIE-M12SB-4-H12TL-PG9 |
| Order No. | 2421730000 |
| Version | Built-in plugs, M12, PG 9, Number of poles: 4, Rear panel mounting |
| GTIN (EAN) | 4050118430264 |
| Qty. | 10 pc(s). |

Creation date May 2, 2020 7:01:34 PM CEST

Catalogue status 17.04.2020 / We reserve the right to make technical changes.

SAIE-M12SB-4-H12TL-PG9

Weidmüller Interface GmbH & Co. KG

Klingenbergstraße 26

D-32758 Detmold

Germany

Fon: +49 5231 14-0

Fax: +49 5231 14-292083

www.weidmueller.com

Technical data

Dimensions and weights

Net weight 20 g

Environmental Product Compliance

REACH SVHC Lead 7439-92-1

Technical data of PCB plug-in connector

| | | | |
|---------------------|--------------------|--|------------------------------|
| Coding | B | Housing surface | nickel-plated |
| Housings | M12 pin | Mounting height | 12 mm |
| Mounting thread | PG9 | Number of poles | 4 |
| Shield connection | No | Type of mounting | Rear panel mounting |
| Rated voltage | 250 V | Rated voltage (text) | 250 V |
| Rated current | 4 A | Rated current | 4 A |
| Temperature range | -30...80 °C | Protection degree | IP67 |
| Contact surface | Au (Gold) | Housing main material | CuZn, nickel-plated |
| Connection thread | M12 | Tightening torque | M12: 0.8 Nm |
| Mounting thread | PG 9 | Mounting torque range | 1.2 Nm |
| Insulation strength | 100 MΩ | Pollution severity | 3 (2 within the sealed area) |
| Plugging cycles | ≥ 100 | Contact material | CuZn |
| Lock nut material | Nickel-plated CuZn | Material of the flange-mounted housing | Nickel-plated CuZn |

Material data

Contact material CuZn Contact surface Au (Gold)

System parameters

| | | | |
|---------------------|--------|-----------------|-------|
| Insulation strength | 100 MΩ | Number of poles | 4 |
| Pin series quantity | 1 | Plugging cycles | ≥ 100 |
| Protection degree | IP67 | | |

Classifications

| | | | |
|-------------|-------------|------------|-------------|
| ETIM 6.0 | EC002638 | ETIM 7.0 | EC002638 |
| eClass 9.0 | 27-44-03-09 | eClass 9.1 | 27-44-03-09 |
| eClass 10.0 | 27-44-03-09 | | |

Approvals

ROHS Conform

Downloads

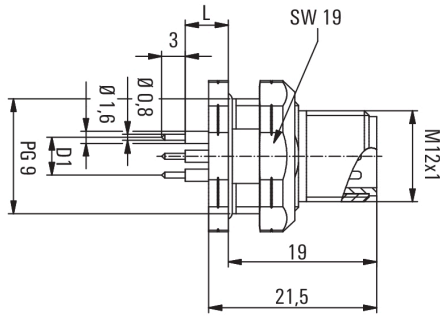
Brochure/Catalogue [FL FIELDWIRING EN](#)

SAIE-M12SB-4-H12TL-PG9

Weidmüller Interface GmbH & Co. KG
 Klingenbergstraße 26
 D-32758 Detmold
 Germany
 Fon: +49 5231 14-0
 Fax: +49 5231 14-292083
 www.weidmueller.com

Drawings

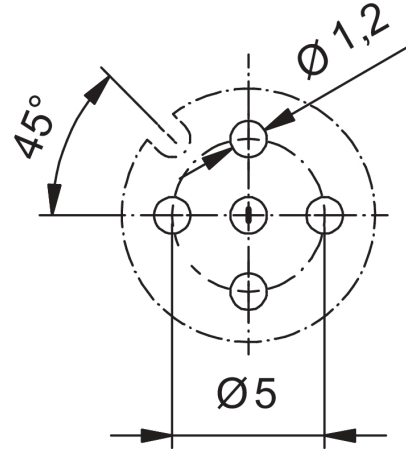
Dimensioned drawing



L (board-to-board distance) = 12mm

Front panel section D1 = 5,0 mm

PCB design



Pole scheme

