

**SAIE-M8B-4-H5.5TL****Weidmüller Interface GmbH & Co. KG**

Klingenbergstraße 26

D-32758 Detmold

Germany

Fon: +49 5231 14-0

Fax: +49 5231 14-292083

www.weidmueller.com

**Similar to illustration**

Weidmüller is one of the industry's leading international providers of connectors. An important mainstay in this product family are the circular connectors, which Weidmüller groups under the product name SAI. In the development of SAI products, Weidmüller engineers have always concentrated on achieving rational, cost-effective installation concepts, and – in cooperation with major users – have supplied the markets with well-conceived products which set standards in terms of functionality and quality across the globe. The best examples are the new power distributors with S and T coded M12. These modules are characterised by particularly high currents and voltages. This enables them to also be used, for example, with three-phase motors.

**General ordering data**

Type	SAIE-M8B-4-H5.5TL
Order No.	<a href="#">2421610000</a>
Version	Built-in plugs, M8, M 12, Number of poles: 4, Rear panel mounting
GTIN (EAN)	4050118429619
Qty.	10 pc(s).

Creation date May 2, 2020 7:03:45 PM CEST

## SAIE-M8B-4-H5.5TL

**Weidmüller Interface GmbH & Co. KG**

Klingenbergstraße 26

D-32758 Detmold

Germany

Fon: +49 5231 14-0

Fax: +49 5231 14-292083

www.weidmueller.com

## Technical data

### Dimensions and weights

Net weight 13.6 g

### Environmental Product Compliance

REACH SVHC Lead 7439-92-1

### Technical data of PCB plug-in connector

Coding	M8 = none	Housings	M8 socket
Mounting height	5.5 mm	Mounting thread	Pin: M8 / Socket: M12
Number of poles	4	Shield connection	No
Type of mounting	Rear panel mounting	Rated voltage	30 V
Rated voltage (text)	60 V (3-pole) / 30 V (4-,5- and 8-pole)	Rated current	4 A
Rated current	4 A (3-, 4- and 5-pole) / 1.5 A (8-pole)	Temperature range	-30...80 °C
Protection degree	IP67	Contact surface	Au (Gold)
Housing main material	CuZn, nickel-plated	Connection thread	M8
Tightening torque	M8: 0.5 Nm	Mounting thread	M 12
Mounting torque range	1.2 Nm	Insulation strength	100 MΩ
Pollution severity	3 (2 within the sealed area)	Plugging cycles	≥ 100
Contact material	CuZn	Seal material	FPM
Lock nut material	Nickel-plated CuZn	Material of the flange-mounted housing	Nickel-plated CuZn
Grouting material	PUR		

### Material data

Contact material CuZn Contact surface Au (Gold)

### System parameters

Insulation strength	100 MΩ	Number of poles	4
Pin series quantity	1	Plugging cycles	≥ 100
Protection degree	IP67		

### Classifications

ETIM 6.0	EC002638	ETIM 7.0	EC002638
eClass 9.0	27-44-03-09	eClass 9.1	27-44-03-09
eClass 10.0	27-44-03-09		

### Approvals

ROHS Conform

### Downloads

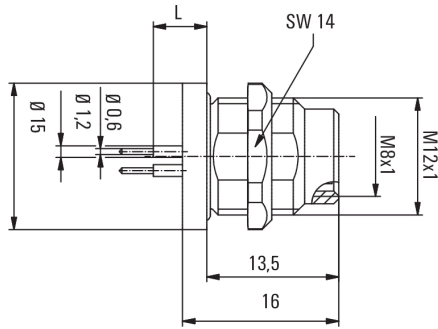
Brochure/Catalogue [FL FIELDWIRING EN](#)

**SAIE-M8B-4-H5.5TL**

**Weidmüller Interface GmbH & Co. KG**  
 Klingenbergstraße 26  
 D-32758 Detmold  
 Germany  
 Fon: +49 5231 14-0  
 Fax: +49 5231 14-292083  
 www.weidmueller.com

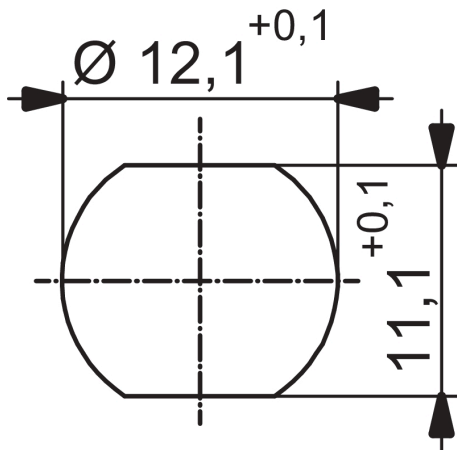
**Drawings**

**Dimensioned drawing**

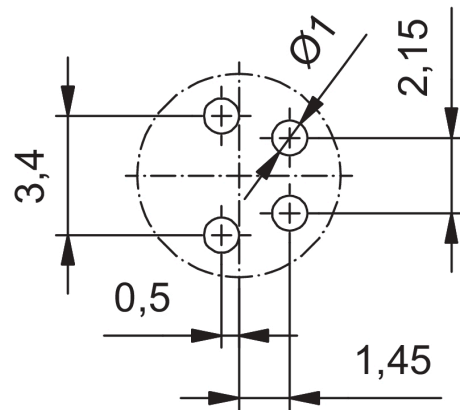


L (board-to-board distance) = 5.5mm

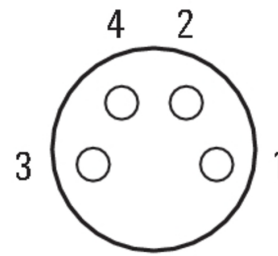
**Front panel section**



**PCB design**



**Pole scheme**



M8 = none