

**maxGUARD  
AMG CM**

**Weidmüller Interface GmbH & Co. KG**  
Klingenbergstraße 26  
D-32758 Detmold  
Germany  
Fon: +49 5231 14-0  
Fax: +49 5231 14-292083  
www.weidmueller.com



Similar to illustration

Efficient machine and facility operation calls for fail-safe and maintenance-friendly control voltage distribution that can be installed in a time and space-saving manner.

With the new maxGUARD system, the terminal blocks (previously installed separately) for distributing potential to the outputs of the electronic load monitors become an integral part of a 24 V DC control voltage distribution system.

The innovative combination of load monitoring and potential distribution saves time during installation, increases safety against failure and reduces the amount of space required on the terminal rail by 50%.

**General ordering data**

Type	AMG CM
Order No.	<a href="#">2081900000</a>
Version	Control module, 24 V DC
GTIN (EAN)	4050118419573
Qty.	1 pc(s).

**maxGUARD  
AMG CM**

**Weidmüller Interface GmbH & Co. KG**  
 Klingenbergstraße 26  
 D-32758 Detmold  
 Germany  
 Fon: +49 5231 14-0  
 Fax: +49 5231 14-292083  
 www.weidmueller.com

**Technical data****Dimensions and weights**

Width	12.2 mm	Width (inches)	0.48 inch
Height	125 mm	Height (inches)	4.921 inch
Depth	96.5 mm	Depth (inches)	3.799 inch
Net weight	56 g		

**Temperatures**

Operating temperature, max.	55 °C	Operating temperature, min.	-25 °C
Storage temperature, max.	85 °C	Storage temperature, min.	-40 °C
Operating temperature	-25 °C...55 °C	Storage temperature	-40 °C...85 °C

**Probability of failure**

MTTF	410 Years
------	-----------

**Environmental Product Compliance**

REACH SVHC	Lead 7439-92-1
------------	----------------

**Input**

Current consumption (full load)	225 mA	Current consumption (idle)	25 mA
DC input voltage range	18...30 V DC	Input fuse (internal)	No
Rated input voltage	24 V DC	Surge protection	Suppressor diode
max. admissible residual ripple at the input	100 mVpp		

**Output**

Connection system	PUSH IN	Surge protection	Suppressor diode
-------------------	---------	------------------	------------------

**General data**

Conformal coating	No	Control inputs	ON/ OFF, Reset
Operating temperature	-25 °C...55 °C	Power loss, idling	336 mW
Power loss, nominal load	452 mW	Protection degree	IP20
Relay to activate the output	No	Surge protection input, output, bus	Suppressor diode
Surge voltage category	III		

**Insulation coordination**

Surge voltage category	III
------------------------	-----

**Connection data (input)**

Conductor cross-section, AWG/kcmil , max.	12	Conductor cross-section, AWG/kcmil , min.	26
Conductor cross-section, flexible , min.	0.14 mm <sup>2</sup>	Conductor cross-section, rigid , max.	2.5 mm <sup>2</sup>
Conductor cross-section, rigid , min.	0.14 mm <sup>2</sup>	Number of terminals	2 (Reset / ON)
Screwdriver blade	0.6 x 3.5	Wire connection cross section, flexible (input), max.	2.5 mm <sup>2</sup>

## maxGUARD AMG CM

**Weidmüller Interface GmbH & Co. KG**  
 Klingenbergstraße 26  
 D-32758 Detmold  
 Germany  
 Fon: +49 5231 14-0  
 Fax: +49 5231 14-292083  
 www.weidmueller.com

## Technical data

### Connection data (output)

Conductor cross-section, AWG/kcmil , max.	12	Conductor cross-section, AWG/kcmil , min.	26
Conductor cross-section, flexible , max.	2.5 mm <sup>2</sup>	Conductor cross-section, flexible , min.	0.14 mm <sup>2</sup>
Conductor cross-section, rigid , max.	2.5 mm <sup>2</sup>	Conductor cross-section, rigid , min.	0.14 mm <sup>2</sup>
Connection system	PUSH IN	Number of terminals	2 (I< / Alarm)
Screwdriver blade	0.6 x 3.5		

### Connection data (signal)

Wire connection cross-section, flexible (signal), max.	2.5 mm <sup>2</sup>
--	---------------------

### Signalling

LED green	Operation (failure-free), Early warning: I Out > 90% I Rated (flashing)	Red LED	Load monitoring has disconnected, Load monitoring has triggered (flashing), Internal error (rapid flashing)
Transistor output, positive-switching	Pre-warning, Alarm		

### Approvals

Institute (cULus)		Certificate no. (cULus)	E258476
-------------------	--	-------------------------	---------

### Classifications

ETIM 6.0	EC002057	ETIM 7.0	EC002057
eClass 9.0	27-37-10-16	eClass 9.1	27-37-10-16
eClass 10.0	27-37-10-16		

### Approvals

Approvals	
-----------	--

ROHS	Conform
------	---------

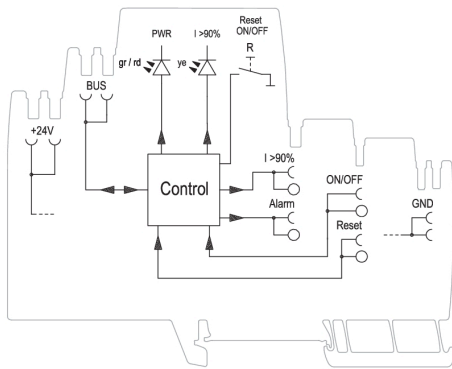
### Downloads

Approval/Certificate/Document of Conformity	<a href="#">Declaration of Conformity</a>
Engineering Data	<a href="#">EPLAN, WSCAD, Zuken E3.S</a>
Engineering Data	<a href="#">STEP</a>
User Documentation	<a href="#">Manual maxGUARD</a> <a href="#">Operating instructions</a>

**maxGUARD  
AMG CM**

**Weidmüller Interface GmbH & Co. KG**  
Klingenbergstraße 26  
D-32758 Detmold  
Germany  
Fon: +49 5231 14-0  
Fax: +49 5231 14-292083  
www.weidmueller.com

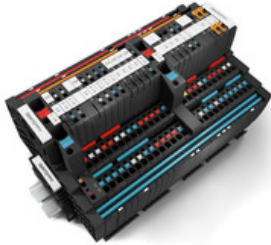
**Drawings**



Schematic circuit diagram

**maxGUARD  
AMG CM**

**Weidmüller Interface GmbH & Co. KG**  
 Klingenbergstraße 26  
 D-32758 Detmold  
 Germany  
 Fon: +49 5231 14-0  
 Fax: +49 5231 14-292083  
 www.weidmueller.com

**Accessories**
**Standard version for machine construction**


Efficient machine and facility operation calls for fail-safe and maintenance-friendly control voltage distribution that can be installed in a time and space-saving manner.

With the new maxGUARD system, the terminal blocks (previously installed separately) for distributing potential to the outputs of the electronic load monitors become an integral part of a 24 V DC control voltage distribution system.

The innovative combination of load monitoring and potential distribution saves time during installation, increases safety against failure and reduces the amount of space required on the terminal rail by 50%.

**General ordering data**

Type	AMG PD	Version
Order No.	<a href="#">2122920000</a>	Potential distributor
GTIN (EAN)	4050118425321	
Qty.	10 pc(s).	
Type	AMG PP	Version
Order No.	<a href="#">2123000000</a>	Seperation plate
GTIN (EAN)	4050118425338	
Qty.	40 pc(s).	
Type	AMG MD	Version
Order No.	<a href="#">2122930000</a>	Potential distributor
GTIN (EAN)	4050118425192	
Qty.	10 pc(s).	
Type	AMG DIS	Version
Order No.	<a href="#">2123050000</a>	Potential distributor
GTIN (EAN)	4050118425413	
Qty.	10 pc(s).	
Type	AMG OD	Version
Order No.	<a href="#">2122910000</a>	Potential distributor
GTIN (EAN)	4050118425185	
Qty.	10 pc(s).	

**maxGUARD  
AMG CM**

**Weidmüller Interface GmbH & Co. KG**  
 Klingenbergstraße 26  
 D-32758 Detmold  
 Germany  
 Fon: +49 5231 14-0  
 Fax: +49 5231 14-292083  
 www.weidmueller.com

**Accessories****ZQV 4N****Spring connection with PUSH IN Technology**

The innovative PUSH IN technology reduces the amount of time you spend on wiring to a minimum. Direct insertion guarantees high conductor pull-out forces and simple handling for all conductor types.

**General ordering data**

Type	ZQV 4N/4 RD
Order No.	<a href="#">2460800000</a>
GTIN (EAN)	4050118476224
Qty.	60 pc(s).
Type	ZQV 4N/8
Order No.	<a href="#">1528030000</a>
GTIN (EAN)	4050118332841
Qty.	20 pc(s).
Type	ZQV 4N/9
Order No.	<a href="#">1528070000</a>
GTIN (EAN)	4050118332797
Qty.	20 pc(s).
Type	ZQV 4N/7 BL
Order No.	<a href="#">1528180000</a>
GTIN (EAN)	4050118333114
Qty.	20 pc(s).
Type	ZQV 4N/2 RD
Order No.	<a href="#">2460450000</a>
GTIN (EAN)	4050118476149
Qty.	60 pc(s).
Type	ZQV 4N/50 RD
Order No.	<a href="#">2460730000</a>
GTIN (EAN)	4050118476156
Qty.	5 pc(s).
Type	ZQV 4N/2
Order No.	<a href="#">1527930000</a>
GTIN (EAN)	4050118332766
Qty.	60 pc(s).
Type	ZQV 4N/3 BL
Order No.	<a href="#">1528080000</a>
GTIN (EAN)	4050118333008
Qty.	60 pc(s).
Type	ZQV 4N/50 BL
Order No.	<a href="#">1528240000</a>
GTIN (EAN)	4050118333121
Qty.	5 pc(s).
Type	ZQV 4N/10 RD
Order No.	<a href="#">2460740000</a>
GTIN (EAN)	4050118476163
Qty.	20 pc(s).

Creation date May 2, 2020 10:11:54 PM CEST

**maxGUARD  
AMG CM**

**Weidmüller Interface GmbH & Co. KG**  
 Klingenbergstraße 26  
 D-32758 Detmold  
 Germany  
 Fon: +49 5231 14-0  
 Fax: +49 5231 14-292083  
 www.weidmueller.com

**Accessories**

Type ZQV 4N/9 BL  
 Order No. [1528220000](#)  
 GTIN (EAN) 4050118333107  
 Qty. 20 pc(s).

Type ZQV 4N/5 RD  
 Order No. [2460790000](#)  
 GTIN (EAN) 4050118476217  
 Qty. 60 pc(s).

Type ZQV 4N/10  
 Order No. [1528090000](#)  
 GTIN (EAN) 4050118332896  
 Qty. 20 pc(s).

Type ZQV 4N/5  
 Order No. [1527980000](#)  
 GTIN (EAN) 4050118332759  
 Qty. 60 pc(s).

Type ZQV 4N/6 RD  
 Order No. [2460780000](#)  
 GTIN (EAN) 4050118476200  
 Qty. 20 pc(s).

Type ZQV 4N/2 BL  
 Order No. [1528040000](#)  
 GTIN (EAN) 4050118332773  
 Qty. 60 pc(s).

Type ZQV 4N/10 BL  
 Order No. [1528230000](#)  
 GTIN (EAN) 4050118333138  
 Qty. 20 pc(s).

Type ZQV 4N/6  
 Order No. [1527990000](#)  
 GTIN (EAN) 4050118332919  
 Qty. 20 pc(s).

Type ZQV 4N/5 BL  
 Order No. [1528140000](#)  
 GTIN (EAN) 4050118333015  
 Qty. 60 pc(s).

Type ZQV 4N/50  
 Order No. [1528130000](#)  
 GTIN (EAN) 4050118332902  
 Qty. 5 pc(s).

Type ZQV 4N/9 RD  
 Order No. [2460750000](#)  
 GTIN (EAN) 4050118476170  
 Qty. 20 pc(s).

Type ZQV 4N/3 RD  
 Order No. [2460810000](#)  
 GTIN (EAN) 4050118476231  
 Qty. 60 pc(s).

Type ZQV 4N/6 BL  
 Order No. [1528170000](#)  
 GTIN (EAN) 4050118332926  
 Qty. 20 pc(s).

**maxGUARD  
AMG CM**

**Weidmüller Interface GmbH & Co. KG**  
 Klingenbergstraße 26  
 D-32758 Detmold  
 Germany  
 Fon: +49 5231 14-0  
 Fax: +49 5231 14-292083  
 www.weidmueller.com

**Accessories**

Type	ZQV 4N/4
Order No.	<a href="#">1527970000</a>
GTIN (EAN)	4050118332889
Qty.	60 pc(s).
Type	ZQV 4N/7 RD
Order No.	<a href="#">2460770000</a>
GTIN (EAN)	4050118476194
Qty.	20 pc(s).
Type	ZQV 4N/3
Order No.	<a href="#">1527940000</a>
GTIN (EAN)	4050118332865
Qty.	60 pc(s).
Type	ZQV 4N/8 RD
Order No.	<a href="#">2460760000</a>
GTIN (EAN)	4050118476187
Qty.	20 pc(s).
Type	ZQV 4N/4 BL
Order No.	<a href="#">1528120000</a>
GTIN (EAN)	4050118332872
Qty.	60 pc(s).
Type	ZQV 4N/8 BL
Order No.	<a href="#">1528190000</a>
GTIN (EAN)	4050118332858
Qty.	20 pc(s).
Type	ZQV 4N/7
Order No.	<a href="#">1528020000</a>
GTIN (EAN)	4050118332780
Qty.	20 pc(s).

**End brackets**



**Klippon® Connect with clamping yoke Technology**

The high reliability and variety of designs of the terminal blocks with clamping yoke connections make planning easier and optimises operational safety. Klippon® Connect provides a proven response to a range of different requirements.

**General ordering data**

Type	WEW 35/2 V0 GF SW	Version
Order No.	<a href="#">1479000000</a>	W-Series, End bracket
GTIN (EAN)	4050118286779	
Qty.	100 pc(s).	



**Data sheet**

**maxGUARD  
AMG CM**

**Weidmüller Interface GmbH & Co. KG**  
 Klingenbergstraße 26  
 D-32758 Detmold  
 Germany  
 Fon: +49 5231 14-0  
 Fax: +49 5231 14-292083  
 www.weidmueller.com

**Accessories**

**Slotted screwdriver**



VDE insulated screwdriver sets, for working on live parts up to 1000 V AC and 1500 V DC, DIN EN 60900. IEC 900. Each piece is "GS" safety tested. Blade made from fully hardened, high-alloy chromium-vanadium-molybdenum steel, gun-metal finish.

**General ordering data**

Type	SDIS SL 0.6X3.5X100	Version
Order No.	<a href="#">1274660000</a>	Mounting tool, Blade width (B): 3.5 mm, Blade length: 100 mm, Blade
GTIN (EAN)	4050118072631	thickness (A): 0.6 mm
Qty.	1 pc(s).	