

**maxGUARD
AMG ELM-6F****Weidmüller Interface GmbH & Co. KG**

Klingenbergstraße 26

D-32758 Detmold

Germany

Fon: +49 5231 14-0

Fax: +49 5231 14-292083

www.weidmueller.com



Similar to illustration

Efficient machine and facility operation calls for fail-safe and maintenance-friendly control voltage distribution that can be installed in a time and space-saving manner.

With the new maxGUARD system, the terminal blocks (previously installed separately) for distributing potential to the outputs of the electronic load monitors become an integral part of a 24 V DC control voltage distribution system.

The innovative combination of load monitoring and potential distribution saves time during installation, increases safety against failure and reduces the amount of space required on the terminal rail by 50%.

General ordering data

Type	AMG ELM-6F
Order No.	2080500000
Version	Electronic load monitoring, 6.00 A, 24 V DC
GTIN (EAN)	4050118419528
Qty.	1 pc(s).

**maxGUARD
AMG ELM-6F**

Weidmüller Interface GmbH & Co. KG
 Klingenbergstraße 26
 D-32758 Detmold
 Germany
 Fon: +49 5231 14-0
 Fax: +49 5231 14-292083
 www.weidmueller.com

Technical data**Dimensions and weights**

Width	6.1 mm	Width (inches)	0.24 inch
Height	125 mm	Height (inches)	4.921 inch
Depth	96.5 mm	Depth (inches)	3.799 inch
Net weight	40 g		

Temperatures

Operating temperature, max.	55 °C	Operating temperature, min.	-25 °C
Storage temperature, max.	85 °C	Storage temperature, min.	-40 °C
Operating temperature	-25 °C...55 °C	Storage temperature	-40 °C...85 °C

Probability of failure

MTTF	350 Years
------	-----------

Environmental Product Compliance

REACH SVHC	Lead 7439-92-1
------------	----------------

Input

Current consumption (full load)	$I_{OUT} + 30 \text{ mA}$	Current consumption (idle)	25 mA
DC input voltage range	18...30 V DC	Input fuse (internal)	Yes
Rated input voltage	24 V DC	Surge protection	Suppressor diode
max. admissible residual ripple at the input	100 mVpp		

Output

Capacitive load	15,000 μF	Connection system	PUSH IN
Rated current	6 A	Surge protection	Suppressor diode
Switch-on delay	1 s	Triggering characteristic	see characteristic curve
adjustable rated current	No		

General data

Conformal coating	No	Function key	Activation time < 3s, Reset, ON
Operating temperature	-25 °C...55 °C	Power loss, idling	415 mW
Power loss, nominal load	1,075 mW	Protection degree	IP20
Relay to activate the output	No	Surge protection input, output, bus	Suppressor diode
Surge voltage category	III		

Insulation coordination

Surge voltage category	III
------------------------	-----

Connection data (output)

Conductor cross-section, AWG/kcmil , max.	12	Conductor cross-section, AWG/kcmil , min.	26
Conductor cross-section, flexible , max.	2.5 mm ²	Conductor cross-section, flexible , min.	0.14 mm ²
Conductor cross-section, rigid , max.	2.5 mm ²	Conductor cross-section, rigid , min.	0.14 mm ²
Connection system	PUSH IN	Number of terminals	2 (+ / -)
Screwdriver blade	0.6 x 3.5		

Creation date May 2, 2020 10:13:12 PM CEST

Data sheet

**maxGUARD
AMG ELM-6F**


Weidmüller Interface GmbH & Co. KG
 Klingenbergstraße 26
 D-32758 Detmold
 Germany
 Fon: +49 5231 14-0
 Fax: +49 5231 14-292083
 www.weidmueller.com

Technical data

Signalling

LED green	Red LED	Load monitoring has disconnected, Load monitoring has triggered (flashing), Internal error (rapid flashing)
Operation (failure-free)		

Approvals

Institute (cULus)		Certificate no. (cULus)	E258476
-------------------	---	-------------------------	---------

Classifications

ETIM 6.0	EC002057	ETIM 7.0	EC002057
eClass 9.0	27-37-10-16	eClass 9.1	27-37-10-16
eClass 10.0	27-37-10-16		

Approvals

Approvals	
ROHS	Conform

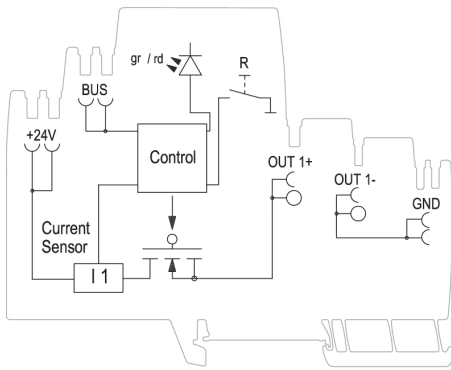
Downloads

Approval/Certificate/Document of Conformity	Declaration of Conformity
Engineering Data	EPLAN, WSCAD, Zuken E3.S
Engineering Data	STEP
User Documentation	Manual_maxGUARD Operating instructions

**maxGUARD
AMG ELM-6F**

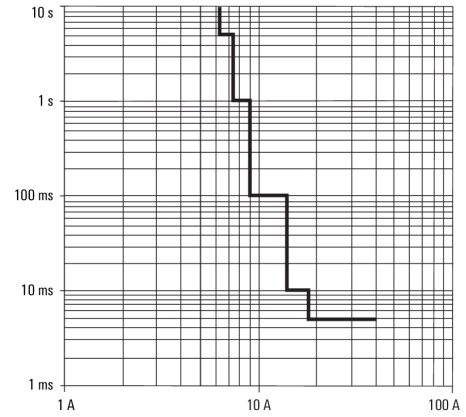
Weidmüller Interface GmbH & Co. KG
 Klingenbergstraße 26
 D-32758 Detmold
 Germany
 Fon: +49 5231 14-0
 Fax: +49 5231 14-292083
 www.weidmueller.com

Drawings



Schematic circuit diagram

Tripping characteristic normal



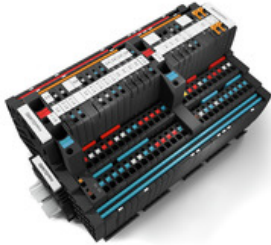
Tripping characteristic

maxGUARD AMG ELM-6F

Weidmüller Interface GmbH & Co. KG
 Klingenbergstraße 26
 D-32758 Detmold
 Germany
 Fon: +49 5231 14-0
 Fax: +49 5231 14-292083
 www.weidmueller.com

Accessories

Standard version for machine construction



Efficient machine and facility operation calls for fail-safe and maintenance-friendly control voltage distribution that can be installed in a time and space-saving manner.

With the new maxGUARD system, the terminal blocks (previously installed separately) for distributing potential to the outputs of the electronic load monitors become an integral part of a 24 V DC control voltage distribution system.

The innovative combination of load monitoring and potential distribution saves time during installation, increases safety against failure and reduces the amount of space required on the terminal rail by 50%.

General ordering data

Type	AMG PD	Version
Order No.	2122920000	Potential distributor
GTIN (EAN)	4050118425321	
Qty.	10 pc(s).	
Type	AMG PP	Version
Order No.	2123000000	Seperation plate
GTIN (EAN)	4050118425338	
Qty.	40 pc(s).	
Type	AMG MD	Version
Order No.	2122930000	Potential distributor
GTIN (EAN)	4050118425192	
Qty.	10 pc(s).	
Type	AMG DIS	Version
Order No.	2123050000	Potential distributor
GTIN (EAN)	4050118425413	
Qty.	10 pc(s).	
Type	AMG OD	Version
Order No.	2122910000	Potential distributor
GTIN (EAN)	4050118425185	
Qty.	10 pc(s).	

**maxGUARD
AMG ELM-6F**

Weidmüller Interface GmbH & Co. KG
 Klingenbergstraße 26
 D-32758 Detmold
 Germany
 Fon: +49 5231 14-0
 Fax: +49 5231 14-292083
 www.weidmueller.com

Accessories**ZQV 4N****Spring connection with PUSH IN Technology**

The innovative PUSH IN technology reduces the amount of time you spend on wiring to a minimum. Direct insertion guarantees high conductor pull-out forces and simple handling for all conductor types.

General ordering data

Type	ZQV 4N/4 RD
Order No.	2460800000
GTIN (EAN)	4050118476224
Qty.	60 pc(s).
Type	ZQV 4N/8
Order No.	1528030000
GTIN (EAN)	4050118332841
Qty.	20 pc(s).
Type	ZQV 4N/9
Order No.	1528070000
GTIN (EAN)	4050118332797
Qty.	20 pc(s).
Type	ZQV 4N/7 BL
Order No.	1528180000
GTIN (EAN)	4050118333114
Qty.	20 pc(s).
Type	ZQV 4N/2 RD
Order No.	2460450000
GTIN (EAN)	4050118476149
Qty.	60 pc(s).
Type	ZQV 4N/50 RD
Order No.	2460730000
GTIN (EAN)	4050118476156
Qty.	5 pc(s).
Type	ZQV 4N/2
Order No.	1527930000
GTIN (EAN)	4050118332766
Qty.	60 pc(s).
Type	ZQV 4N/3 BL
Order No.	1528080000
GTIN (EAN)	4050118333008
Qty.	60 pc(s).
Type	ZQV 4N/50 BL
Order No.	1528240000
GTIN (EAN)	4050118333121
Qty.	5 pc(s).
Type	ZQV 4N/10 RD
Order No.	2460740000
GTIN (EAN)	4050118476163
Qty.	20 pc(s).

Creation date May 2, 2020 10:13:12 PM CEST

**maxGUARD
AMG ELM-6F**

Weidmüller Interface GmbH & Co. KG
 Klingenbergstraße 26
 D-32758 Detmold
 Germany
 Fon: +49 5231 14-0
 Fax: +49 5231 14-292083
 www.weidmueller.com

Accessories

Type ZQV 4N/9 BL
 Order No. [1528220000](#)
 GTIN (EAN) 4050118333107
 Qty. 20 pc(s).

Type ZQV 4N/5 RD
 Order No. [2460790000](#)
 GTIN (EAN) 4050118476217
 Qty. 60 pc(s).

Type ZQV 4N/10
 Order No. [1528090000](#)
 GTIN (EAN) 4050118332896
 Qty. 20 pc(s).

Type ZQV 4N/5
 Order No. [1527980000](#)
 GTIN (EAN) 4050118332759
 Qty. 60 pc(s).

Type ZQV 4N/6 RD
 Order No. [2460780000](#)
 GTIN (EAN) 4050118476200
 Qty. 20 pc(s).

Type ZQV 4N/2 BL
 Order No. [1528040000](#)
 GTIN (EAN) 4050118332773
 Qty. 60 pc(s).

Type ZQV 4N/10 BL
 Order No. [1528230000](#)
 GTIN (EAN) 4050118333138
 Qty. 20 pc(s).

Type ZQV 4N/6
 Order No. [1527990000](#)
 GTIN (EAN) 4050118332919
 Qty. 20 pc(s).

Type ZQV 4N/5 BL
 Order No. [1528140000](#)
 GTIN (EAN) 4050118333015
 Qty. 60 pc(s).

Type ZQV 4N/50
 Order No. [1528130000](#)
 GTIN (EAN) 4050118332902
 Qty. 5 pc(s).

Type ZQV 4N/9 RD
 Order No. [2460750000](#)
 GTIN (EAN) 4050118476170
 Qty. 20 pc(s).

Type ZQV 4N/3 RD
 Order No. [2460810000](#)
 GTIN (EAN) 4050118476231
 Qty. 60 pc(s).

Type ZQV 4N/6 BL
 Order No. [1528170000](#)
 GTIN (EAN) 4050118332926
 Qty. 20 pc(s).

Creation date May 2, 2020 10:13:12 PM CEST

Data sheet

**maxGUARD
AMG ELM-6F**

Weidmüller Interface GmbH & Co. KG
 Klingenbergstraße 26
 D-32758 Detmold
 Germany
 Fon: +49 5231 14-0
 Fax: +49 5231 14-292083
 www.weidmueller.com

Accessories

Type	ZQV 4N/4
Order No.	1527970000
GTIN (EAN)	4050118332889
Qty.	60 pc(s).
Type	ZQV 4N/7 RD
Order No.	2460770000
GTIN (EAN)	4050118476194
Qty.	20 pc(s).
Type	ZQV 4N/3
Order No.	1527940000
GTIN (EAN)	4050118332865
Qty.	60 pc(s).
Type	ZQV 4N/8 RD
Order No.	2460760000
GTIN (EAN)	4050118476187
Qty.	20 pc(s).
Type	ZQV 4N/4 BL
Order No.	1528120000
GTIN (EAN)	4050118332872
Qty.	60 pc(s).
Type	ZQV 4N/8 BL
Order No.	1528190000
GTIN (EAN)	4050118332858
Qty.	20 pc(s).
Type	ZQV 4N/7
Order No.	1528020000
GTIN (EAN)	4050118332780
Qty.	20 pc(s).

End brackets



Klippon® Connect with clamping yoke Technology

The high reliability and variety of designs of the terminal blocks with clamping yoke connections make planning easier and optimises operational safety. Klippon® Connect provides a proven response to a range of different requirements.

General ordering data

Type	WEW 35/2 V0 GF SW	Version
Order No.	1479000000	W-Series, End bracket
GTIN (EAN)	4050118286779	
Qty.	100 pc(s).	

Data sheet**maxGUARD
AMG ELM-6F**

Weidmüller Interface GmbH & Co. KG
Klingenbergstraße 26
D-32758 Detmold
Germany
Fon: +49 5231 14-0
Fax: +49 5231 14-292083
www.weidmueller.com

Accessories**Slotted screwdriver**

VDE insulated screwdriver sets, for working on live parts up to 1000 V AC and 1500 V DC, DIN EN 60900. IEC 900. Each piece is "GS" safety tested. Blade made from fully hardened, high-alloy chromium-vanadium-molybdenum steel, gun-metal finish.

General ordering data

Type	SDIS SL 0.6X3.5X100	Version
Order No.	1274660000	Mounting tool, Blade width (B): 3.5 mm, Blade length: 100 mm, Blade
GTIN (EAN)	4050118072631	thickness (A): 0.6 mm
Qty.	1 pc(s).	