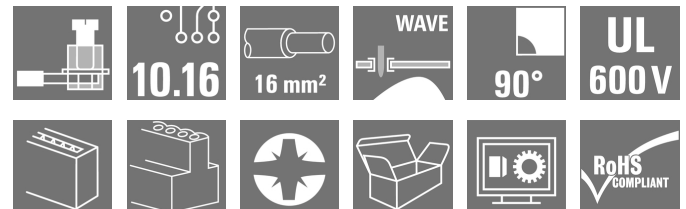


OMNIMATE Power - series LUP LUP 10.16/02/90V 5.0SN GN BX

Weidmüller Interface GmbH & Co. KG
Klingenbergstraße 26
D-32758 Detmold
Germany
Fon: +49 5231 14-0
Fax: +49 5231 14-292083
www.weidmueller.com

Product image



Similar to illustration

This PCB terminal with proven clamping yoke connection with 10.16 mm pitch and 90° conductor outlet direction offers the following features: 1000 V, offset solder pins, test point, 76 A and 16 mm² wire cross-section.

General ordering data

| | |
|--------------|---|
| Type | LUP 10.16/02/90V 5.0SN GN BX |
| Order No. | 2014200000 |
| Version | Printed circuit board terminals, 10.16 mm, Number of poles: 2, 90°, Solder pin length (l): 5 mm, tinned, Pale green, Clamping yoke connection, Clamping range, max.: 16 mm ² , Box |
| GTIN (EAN) | 4050118399844 |
| Qty. | 20 pc(s). |
| Product data | IEC: 1000 V / 76 A / 0.5 - 16 mm ² UL: 600 V / 51 A / AWG 22 - AWG 6 |
| Packaging | Box |

Creation date May 2, 2020 11:50:47 PM CEST

**OMNIMATE Power - series LUP
LUP 10.16/02/90V 5.0SN GN BX**

Weidmüller Interface GmbH & Co. KG
 Klingenbergstraße 26
 D-32758 Detmold
 Germany
 Fon: +49 5231 14-0
 Fax: +49 5231 14-292083
 www.weidmueller.com

Technical data**Dimensions and weights**

| | | | |
|--------------------------|------------|-----------------|------------|
| Width | 21.12 mm | Width (inches) | 0.831 inch |
| Height | 36.5 mm | Height (inches) | 1.437 inch |
| Height of lowest version | 31.5 mm | Depth | 25.1 mm |
| Depth (inches) | 0.988 inch | Net weight | 18.42 g |

System parameters

| | | | |
|--|------------------------------|--|--------------------------|
| Product family | OMNIMATE Power - series LUP | Wire connection method | Clamping yoke connection |
| Mounting onto the PCB | THT solder connection | Conductor outlet direction | 90° |
| Pitch in mm (P) | 10.16 mm | Pitch in inches (P) | 0.4 inch |
| Number of poles | 2 | Fitted by customer | Yes |
| Max. adjacent poles per row | 12 | Solder pin length (l) | 5 mm |
| Solder pin dimensions | 1.2 x 1.2 mm | Solder eyelet hole diameter (D) | 1.6 mm |
| Solder eyelet hole diameter tolerance (D)+ | 0, 1 mm | Number of solder pins per pole | 2 |
| Screwdriver blade | 1.0 x 5.5, PZ 2 | Screwdriver blade standard | DIN 5264 |
| Tightening torque, min. | 1.2 Nm | Tightening torque, max. | 1.5 Nm |
| Clamping screw | M 4 | Stripping length | 12 mm |
| L1 in mm | 10.16 mm | L1 in inches | 0.4 inch |
| Touch-safe protection acc. to DIN VDE 0470 | IP20 plugged/ IP10 unplugged | Touch-safe protection acc. to DIN VDE 57 106 | Safe from finger touch |
| Volume resistance | 0.50 mΩ | | |

Material data

| | | | |
|---------------------------------------|------------------------------|---------------------------------------|------------|
| Insulating material | Wemid (PA) | Colour | Pale green |
| Colour chart (similar) | RAL 6021 | Insulating material group | I |
| Comparative Tracking Index (CTI) | ≥ 600 | UL 94 flammability rating | V-0 |
| Contact material | E-Cu | Contact surface | tinned |
| Layer structure of solder connection | 1.5-3 μm Ni / 4-6 μm Sn matt | Storage temperature, min. | -25 °C |
| Storage temperature, max. | 50 °C | Max. relative humidity during storage | 70 % |
| Operating temperature, min. | -50 °C | Operating temperature, max. | 120 °C |
| Temperature range, installation, min. | -25 °C | Temperature range, installation, max. | 120 °C |

Conductors suitable for connection

| | |
|---|----------------------|
| Clamping range, min. | 0.13 mm ² |
| Clamping range, max. | 16 mm ² |
| Wire connection cross section AWG, min. | AWG 22 |
| Wire connection cross section AWG, max. | AWG 6 |
| Solid, min. H05(07) V-U | 0.5 mm ² |
| Solid, max. H05(07) V-U | 16 mm ² |
| Stranded, min. H07V-R | 6 mm ² |
| Stranded, max. H07V-R | 16 mm ² |
| Flexible, min. H05(07) V-K | 0.5 mm ² |
| Flexible, max. H05(07) V-K | 16 mm ² |
| w. plastic collar ferrule, DIN 46228 pt 4, min. | 2.5 mm ² |
| w. plastic collar ferrule, DIN 46228 pt 4, max. | 10 mm ² |
| w. wire end ferrule, DIN 46228 pt 1, min. | 2.5 mm ² |

Creation date May 2, 2020 11:50:47 PM CEST

**OMNIMATE Power - series LUP
LUP 10.16/02/90V 5.0SN GN BX**

Weidmüller Interface GmbH & Co. KG
Klingenbergstraße 26
D-32758 Detmold
Germany
Fon: +49 5231 14-0
Fax: +49 5231 14-292083
www.weidmueller.com

Technical data

| | | | | |
|---|--|------------------------------|-----------------------------|-------|
| w. wire end ferrule, DIN 46228 pt 1, max. | 10 mm ² | | | |
| Plug gauge in accordance with EN 60999 a x b; ø | 5.4 mm x 5.1 mm; 5.3 mm | | | |
| Clampable conductor | Cross-section for conductor connection | Type | fine-wired | |
| | | nominal | 2.5 mm ² | |
| | wire end ferrule | Stripping length | nominal | 12 mm |
| | | Recommended wire-end ferrule | H2.5/12 | |
| | | Stripping length | nominal | 14 mm |
| | | Recommended wire-end ferrule | H2.5/19D BL | |
| | Cross-section for conductor connection | Type | fine-wired | |
| | | nominal | 4 mm ² | |
| | wire end ferrule | Stripping length | nominal | 12 mm |
| | | Recommended wire-end ferrule | H4.0/12 | |
| | | Stripping length | nominal | 14 mm |
| | | Recommended wire-end ferrule | H4.0/20D GR | |
| | Cross-section for conductor connection | Type | fine-wired | |
| | | nominal | 6 mm ² | |
| | wire end ferrule | Stripping length | nominal | 12 mm |
| | | Recommended wire-end ferrule | H6.0/12 | |
| Stripping length | | nominal | 14 mm | |
| Recommended wire-end ferrule | | H6.0/20 SW | | |
| Cross-section for conductor connection | Type | fine-wired | | |
| | nominal | 10 mm ² | | |
| wire end ferrule | Stripping length | nominal | 15 mm | |
| | Recommended wire-end ferrule | H10.0/22 EB | | |
| | Stripping length | nominal | 12 mm | |
| | Recommended wire-end ferrule | H10.0/12 | | |
| Reference text | Length of ferrules is to be chosen depending on the product and the rated voltage., The outside diameter of the plastic collar should not be larger than the pitch (P) | | | |
| Max. clamping range | 16 mm ² | | | |

Rated data acc. to IEC

| | | | |
|---|------------------------|---|-------------------|
| tested acc. to standard | IEC 60664-1, IEC 61984 | Rated current, min. number of poles (Tu=20°C) | 76 A |
| Rated current, max. number of poles (Tu=20°C) | 72 A | Rated current, min. number of poles (Tu=40°C) | 72 A |
| Rated current, max. number of poles (Tu=40°C) | 62 A | Rated voltage for surge voltage class / pollution degree II/2 | 1,000 V |
| Rated voltage for surge voltage class / pollution degree III/2 | 1,000 V | Rated voltage for surge voltage class / pollution degree III/3 | 800 V |
| Rated impulse voltage for surge voltage class/ pollution degree II/2 | 6 kV | Rated impulse voltage for surge voltage class/ pollution degree III/2 | 8 kV |
| Rated impulse voltage for surge voltage class/ contamination degree III/3 | 8 kV | Short-time withstand current resistance | 1 x 1s with 700 A |



**OMNIMATE Power - series LUP
LUP 10.16/02/90V 5.0SN GN BX**

Weidmüller Interface GmbH & Co. KG
Klingenbergstraße 26
D-32758 Detmold
Germany
Fon: +49 5231 14-0
Fax: +49 5231 14-292083
www.weidmueller.com

Technical data**Rated data acc. to CSA**

| | | | |
|-----------------------------------|--------|-----------------------------------|-------|
| Rated voltage (Use group B / CSA) | 600 V | Rated voltage (Use group C / CSA) | 600 V |
| Rated voltage (Use group D / CSA) | 600 V | Rated current (Use group B / CSA) | 51 A |
| Rated current (Use group C / CSA) | 51 A | Rated current (Use group D / CSA) | 5 A |
| Wire cross-section, AWG, min. | AWG 22 | Wire cross-section, AWG, max. | AWG 6 |

Rated data acc. to UL 1059

| | | | |
|---------------------------------------|---|---------------------------------------|--------|
| Institute (UR) |  | Certificate No. (UR) | E60693 |
| Institute (cURus) |  | Certificate No. (cURus) | E60693 |
| Rated voltage (Use group B / UL 1059) | 600 V | Rated voltage (Use group C / UL 1059) | 600 V |
| Rated voltage (Use group D / UL 1059) | 600 V | Rated current (Use group B / UL 1059) | 51 A |
| Rated current (Use group C / UL 1059) | 51 A | Rated current (Use group D / UL 1059) | 5 A |
| Wire cross-section, AWG, min. | AWG 22 | Wire cross-section, AWG, max. | AWG 6 |
| Reference to approval values | Specifications are maximum values, details - see approval certificate. | | |

Packing

| | | | |
|-----------|-----|------------|---|
| Packaging | Box | VPE length | 0 |
| VPE width | 0 | VPE height | 0 |

Classifications

| | | | |
|-------------|-------------|------------|-------------|
| ETIM 6.0 | EC002643 | ETIM 7.0 | EC002643 |
| eClass 9.0 | 27-44-04-01 | eClass 9.1 | 27-44-04-01 |
| eClass 10.0 | 27-44-04-01 | | |

Notes

| | |
|----------------|---|
| Notes | <ul style="list-style-type: none"> • Additional colours on request • Rated current related to rated cross-section & min. No. of poles. • Wire end ferrule without plastic collar to DIN 46228/1 • Wire end ferrule with plastic collar to DIN 46228/4 • The data given under CSA relates to a cUL approval - E60693 • P on drawing = pitch • Rated data refer only to the component itself. Clearance and creepage distances to other components are to be designed in accordance with the relevant application standards. |
| IPC conformity | Conformity: The products are developed, manufactured and delivered according international recognized standards and norms and comply with the assured properties in the data sheet resp. fulfill decorative properties in accordance with IPC-A-610 "Class 2". Further claims on the products can be evaluated on request. |

Data sheet

**OMNIMATE Power - series LUP
LUP 10.16/02/90V 5.0SN GN BX**

Weidmüller Interface GmbH & Co. KG
Klingenbergstraße 26
D-32758 Detmold
Germany
Fon: +49 5231 14-0
Fax: +49 5231 14-292083
www.weidmueller.com

Technical data

Approvals

Approvals



ROHS

Conform

Downloads

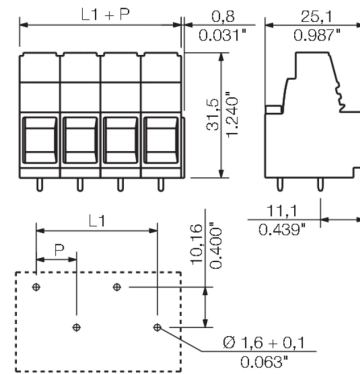
| | |
|---|--|
| Approval/Certificate/Document of Conformity | Declaration of the Manufacturer |
| Brochure/Catalogue | FL DRIVES EN MB DEVICE MANUF. EN FL DRIVES DE FL APPL INVERTER EN FL_BASE_STATION_EN FL ELEVATOR EN FL POWER SUPPLY EN FL 72H SAMPLE SER EN PO OMNIMATE EN |
| Engineering Data | EPLAN, WSCAD |
| White paper power electronics connected correctly | Download Whitepaper |
| User Documentation | QR-Code product handling video |
| White paper UL 600 V | Download Whitepaper |

**OMNIMATE Power - series LUP
LUP 10.16/02/90V 5.0SN GN BX**

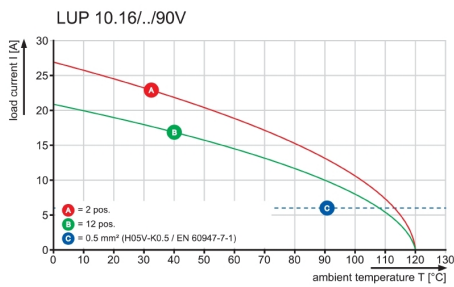
Weidmüller Interface GmbH & Co. KG
Klingenbergstraße 26
D-32758 Detmold
Germany
Fon: +49 5231 14-0
Fax: +49 5231 14-292083
www.weidmueller.com

Drawings

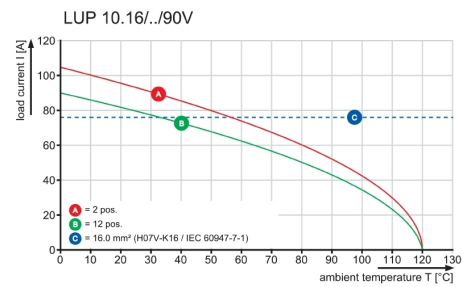
Dimensional drawing



Graph



Graph



Data sheet

**OMNIMATE Power - series LUP
LUP 10.16/02/90V 5.0SN GN BX**

Weidmüller Interface GmbH & Co. KG
Klingenbergstraße 26
D-32758 Detmold
Germany
Fon: +49 5231 14-0
Fax: +49 5231 14-292083
www.weidmueller.com

Accessories

Crosshead screwdriver Pozidriv

Crosshead screwdriver, Pozidriv, SDK PZ DIN 5262, ISO 8764/2-PZ, output to ISO 8764/1-PZ, ChromTop tip, SoftFinish grip



General ordering data

| Type | SDK PZ2 | Version |
|------------|----------------------------|--|
| Order No. | 9008540000 | Screwdriver, Blade width (B): 6 mm, Blade length: 100 mm |
| GTIN (EAN) | 4032248056538 | |
| Qty. | 1 pc(s). | |

Slotted screwdriver

Slotted screwdriver with rounded blade SD DIN 5265, ISO 2380/2, output to DIN 5264, ISO 2380/1. ChromTop tip, SoftFinish grip



General ordering data

| Type | SDS 1.0X5.5X150 | Version |
|------------|----------------------------|---|
| Order No. | 9008350000 | Screwdriver, Blade width (B): 5.5 mm, Blade length: 150 mm, Blade thickness (A): 1 mm |
| GTIN (EAN) | 4032248056316 | |
| Qty. | 1 pc(s). | |

**OMNIMATE Power - series LUP
LUP 10.16/02/90V 5.0SN GN BX**

Weidmüller Interface GmbH & Co. KG
Klingenbergstraße 26
D-32758 Detmold
Germany
Fon: +49 5231 14-0
Fax: +49 5231 14-292083
www.weidmueller.com

Accessories

Crosshead screwdriver Pozidriv

VDE insulated crosshead screwdriver type Pozidriv SDIK PZ DIN 7438, ISO 8764/2-PZ, output to ISO 8764-PZ, SoftFinish grip



General ordering data

| | | |
|------------|----------------------------|-----------------------------------|
| Type | SDIK PZ2 | Version |
| Order No. | 9008890000 | Screwdriver, Blade length: 100 mm |
| GTIN (EAN) | 4032248266661 | |
| Qty. | 1 pc(s). | |

Slotted screwdriver

VDE insulated slot-head screwdriver, SDI DIN 7437, ISO 2380/2, drive output acc. to DIN 5264, ISO 2380/1. SoftFinish grip



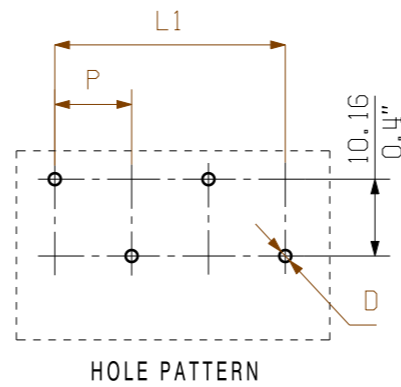
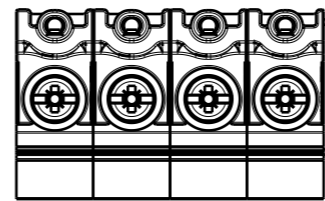
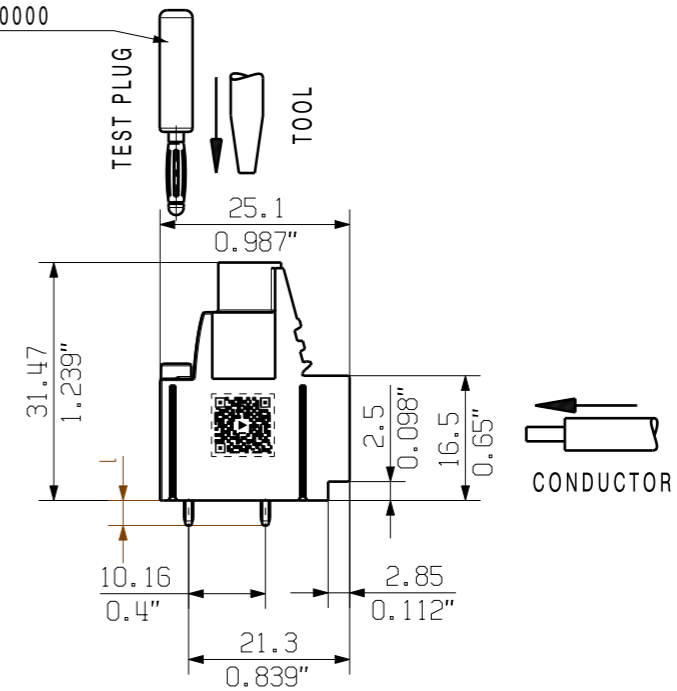
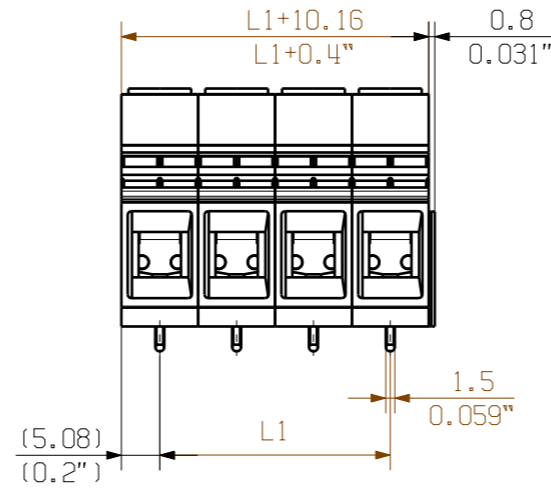
General ordering data

| | | |
|------------|----------------------------|---|
| Type | SDIS 1.0X5.5X175 | Version |
| Order No. | 9205710000 | Screwdriver, Blade width (B): 5.5 mm, Blade length: 175 mm, Blade thickness (A): 1 mm |
| GTIN (EAN) | 4032248773015 | |
| Qty. | 1 pc(s). | |

The reproduction, distribution and utilization of this document as well as the communication of its contents to others without explicit authorization is prohibited. Offenders will be held liable for the payment of damages. Weidmüller exclusively reserves the right to file for patents, utility models or designs.

© Weidmüller Interface GmbH & Co. KG

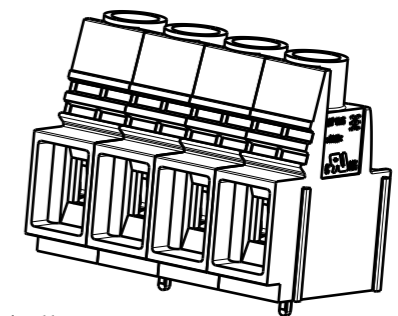
PS 2.0 / ORDER NO.
031000 0000



P = pitch = 10.16
l = pin length
n = no of poles
D = 1.6 ± 0.1

GENERAL TOLERANCE:
DIN ISO 2768-mK

SHOWN: LUP 10.16/04/90V



| | | |
|----|---------|-----------|
| 12 | 111,76 | 4,400 |
| 11 | 101,60 | 4,000 |
| 10 | 91,44 | 3,600 |
| 9 | 81,28 | 3,200 |
| 8 | 71,12 | 2,800 |
| 7 | 60,96 | 2,400 |
| 6 | 50,80 | 2,000 |
| 5 | 40,64 | 1,600 |
| 4 | 30,48 | 1,200 |
| 3 | 20,32 | 0,800 |
| 2 | 10,16 | 0,400 |
| n | L1 [mm] | L1 [inch] |

| | |
|------|--------|
| 5.0 | 0.196 |
| 3.2 | 0.125 |
| l | l |
| [mm] | [inch] |

For the mounting of PCBs, it should be noted that the rated data given in the catalogue relates only to the connection elements. The necessary creepage and clearance paths must be observed in connection with the respective applicant in accordance with VDE 0110. The current-carrying capacity and pitch tolerance is to be determined according to DIN IEC 326 part 3 very fine.

Weidmüller connectors are tested to the DIN VDE 0627 standard, and are valid for its field of application. Provided that the connectors are used to the intended purpose, all requirements with respect to the occurring of electrical, mechanical, thermic and corrosive stress will be satisfied.

| | | | |
|-------------------|--|-----------------------------------|-------------------------------|
| | 102478 | Prim PLM Part No.: 008435 | Prim ERP Part No.: 1193000000 |
| | First Issue Date 03.03.2018 | | |
| Modification | 52588 07 Drawing no. Issue no. | | |
| | Drawn | Date | Name |
| | Responsible | 03.03.2018 | Administrator |
| Scale: 2:1 | Size: A3 | Approved | 22.11.2018 Lang, Thomas |
| Drawings Assembly | | Product file: 7233 LUP 10.16/12.7 | |

LUP 10.16/././90V...
LEITERPLATTENKLEMME
PCB TERMINAL

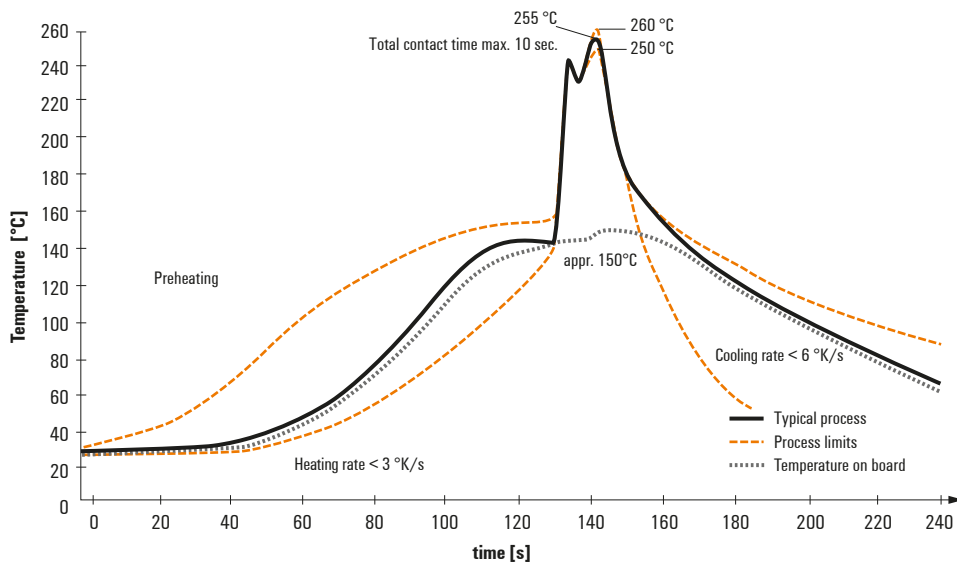
Recommended wave soldering profiles

Weidmüller Interface GmbH & Co. KG
 Klängenbergstraße 16
 D-32758 Detmold
 Germany
 Fon: +49 5231 14-0
 Fax: +49 5231 14-292083
 www.weidmueller.com

Single Wave:



Double Wave:



Wave soldering profiles

Wired connection elements should be processed in accordance with the DIN EN 61760-1 standard. We have included two recommendations for practical wave soldering profiles, with which Weidmüller PCB terminals and connectors are qualified.

When choosing a suitable profile for your application, the following factors also need to be considered:

- PCB thickness
- Proportion of Cu in the layers
- Single/double-sided assembly
- Product range
- Heating and cooling rates

The single and double wave profiles each indicate the recommended operating range, including the maximum soldering temperature of 260°C. In practice, the maximum soldering temperature is quite often well below the above maximum profile.