

**SAI-4-M-MVV-M12 1:1****Weidmüller Interface GmbH & Co. KG**

Klingenbergstraße 26

D-32758 Detmold

Germany

Fon: +49 5231 14-0

Fax: +49 5231 14-292083

www.weidmueller.com



Your peripheral devices should be supplied with greater power. With our new M12 plug-in connector, more than 250 V and 2 A is possible without problems. The compact S- and T-coded M12 plug-in connectors are designed for the transmission of up to 630 V AC or 60 V DC and 12 A.

**General ordering data**

Type	SAI-4-M-MVV-M12 1:1
Order No.	<a href="#">2009620000</a>
Version	Power distributor, M12, Hood version, Yes
GTIN (EAN)	4050118396041
Qty.	1 pc(s).

Creation date May 3, 2020 12:00:37 AM CEST

Catalogue status 17.04.2020 / We reserve the right to make technical changes.

## SAI-4-M-MVV-M12 1:1

Weidmüller Interface GmbH &amp; Co. KG

Klingenbergstraße 26

D-32758 Detmold

Germany

Fon: +49 5231 14-0

Fax: +49 5231 14-292083

www.weidmueller.com

## Technical data

## Dimensions and weights

Net weight	100 g
------------	-------

## Temperatures

Operating temperature, max.	80 °C	Operating temperature, min.	-20 °C
Operating temperature	-20 - 80°C		

## Environmental Product Compliance

REACH SVHC	Lead 7439-92-1
------------	----------------

## Connection data

Conductor O.D., min.	10 mm	Conductor O.D., max.	14 mm
Sheathing stripping length	40 mm	Cable glands	M 20
Clamping range, min.	0.2 mm <sup>2</sup>	Clamping range, max.	1.5 mm <sup>2</sup>
Storage space	Standard	Distributor outlet	Hood version
Connection type PE	Screw connection		

## Electrical data

Rated voltage, max.	400 V	Max. current-carrying capacity per slot	36 A
Total current	144 A	Current per signal	12 A
Electrical isolation available	No		

## General technical data

Plug-in station coding	S	Protection degree	IP68
Number of poles	4	Number of contact sockets	4
Connection thread	M12	Pollution severity	3
Fire behaviour	V-0	Plugging cycles	≥ 50
LED	Yes	LED colour for indicating operation	No

## Material data

Housing main material	Pocan	Material of distributor	Plastic
Housing colour	grey, RAL 7032	Hood sealing material	Viton
Screw socket	Nickel-plated CuZn	Contact material	CuZn
Contact surface	Gold-plated	Contact carrier material	PBT (UL 94 V0)

## Technical data cable

Suitable for cable carriers	No	Number of poles	4
Conductor O.D., min.	10 mm	Conductor O.D., max.	14 mm

## Classifications

ETIM 6.0	EC002585	ETIM 7.0	EC003558
eClass 9.0	27-44-01-08	eClass 9.1	27-44-01-08
eClass 10.0	27-44-01-11		

**Data sheet****SAI-4-M-MVV-M12 1:1****Weidmüller Interface GmbH & Co. KG**  
Klingenbergstraße 26  
D-32758 Detmold  
Germany  
Fon: +49 5231 14-0  
Fax: +49 5231 14-292083  
www.weidmueller.com**Technical data****Approvals**

Approvals



ROHS

Conform

**Downloads**

Brochure/Catalogue

[FL FIELDWIRING EN](#)

Engineering Data

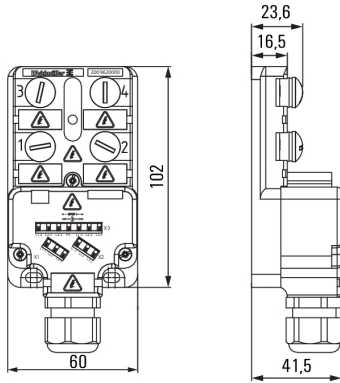
[EPLAN, WSCAD](#)

**SAI-4-M-MVV-M12 1:1**

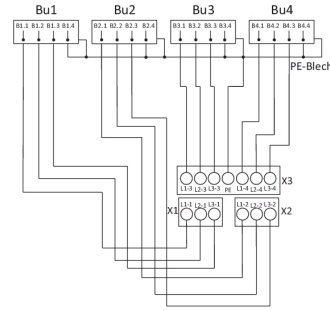
**Weidmüller Interface GmbH & Co. KG**  
 Klingenbergstraße 26  
 D-32758 Detmold  
 Germany  
 Fon: +49 5231 14-0  
 Fax: +49 5231 14-292083  
 www.weidmueller.com

**Drawings**

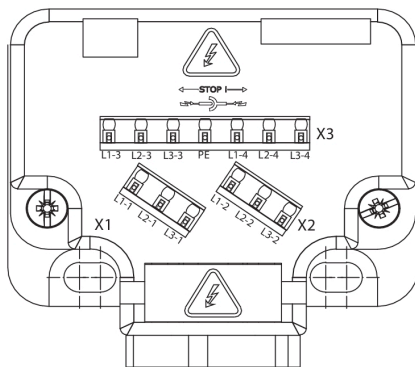
**Dimensioned drawing**



**Wiring diagram**



**Dimensioned drawing**



**SAI-4-M-MVV-M12 1:1**

**Weidmüller Interface GmbH & Co. KG**  
 Klingenbergstraße 26  
 D-32758 Detmold  
 Germany  
 Fon: +49 5231 14-0  
 Fax: +49 5231 14-292083  
 www.weidmueller.com

**Accessories**

**Blank**



ESG is the tried-and-tested marker in MultiCard format for use on many well-known electrical devices. The result is high-quality device marking with a high-contrast appearance.

Various types are available for devices from the following manufacturers:

- Siemens
- Télémecanique
- ABB
- Beckhoff
- Lumberg
- Tags for all-purpose usage; self-adhesive or clip-on tags, depending on the type

Advantages at a glance:

- Tags for universal usage, self-adhesive or clip-on tags, depending on type
- For aligned equipment, e.g. circuit breakers, we supply ESG markers for clipping onto tag rails
- Individual laser-quality printing according to specifications

**For custom printing:** Please send us a file of our labeling software M-Print PRO or M-Print PRO Online (without installation) for your labeling specifications.

Please note that these markers are not intended for printing with the SpeedMarking laser.

**General ordering data**

Type	ESG 9/20 MC NE WS	Version
Order No.	<a href="#">1609940000</a>	ESG, Device markers x 20 mm, PA 66, Colour: white, pluggable
GTIN (EAN)	4008190203528	
Qty.	200 pc(s).	