

**Industrial Ethernet  
IE-PS-M12X-P-AWG22/27FH**

**Weidmüller Interface GmbH & Co. KG**  
Klingenbergstraße 26  
D-32758 Detmold  
Germany  
Fon: +49 5231 14-0  
Fax: +49 5231 14-292083  
www.weidmueller.com



M12 X type cat. 6A plug can be assembled on-site with quick connection system

**General ordering data**

Type	IE-PS-M12X-P-AWG22/27FH
Order No.	<a href="#">2007500000</a>
Version	Plugs prefabricated to customer spec., M12, Insulation displacement technology, Cat.6 <sub>A</sub> / Class E <sub>A</sub> (ISO/IEC 11801 2010), IP67
GTIN (EAN)	4050118392937
Qty.	1 pc(s).

Creation date May 3, 2020 12:04:07 AM CEST

Catalogue status 17.04.2020 / We reserve the right to make technical changes.

## Industrial Ethernet IE-PS-M12X-P-AWG22/27FH

**Weidmüller Interface GmbH & Co. KG**  
Klingenbergstraße 26  
D-32758 Detmold  
Germany  
Fon: +49 5231 14-0  
Fax: +49 5231 14-292083  
www.weidmueller.com

### Technical data

#### Dimensions and weights

Weight	56 g	Net weight	0.001 g
--------	------	------------	---------

#### Temperatures

Operating temperature, max.	85 °C	Operating temperature, min.	-40 °C
Operating temperature	-40 °C...85 °C		

#### Environmental Product Compliance

REACH SVHC	Lead 7439-92-1
------------	----------------

#### General Info

Connection 1	M12	Connection 2	Insulation displacement technology
Number of poles	8	Housing main material	Zinc diecast
Insulation cross-section, min.	0.9 mm	Insulation cross-section, max.	1.6 mm
Category	Cat.6 <sub>A</sub> / Class E <sub>A</sub> (ISO/IEC 11801 2010)	Connection thread	M12
Contact material	Brass, tinned	Contact surface	Gold-plated
Connection diameter, solid	0.51...0.64 mm	Conductor connection cross-section, solid (AWG)	AWG 24/1...AWG 22/1
Connection diameter, flexible	0.46...0.76 mm	Conductor connection cross-section, flexible (AWG)	AWG 27/7...AWG 22/7
Conductor connection cross-section, extremely flexible	0.61...0.78 mm, Approval of the cable by Weidmüller necessary	Conductor connection cross-section, extremely flexible (AWG)	AWG 26...AWG 22, Approval of the cable by Weidmüller necessary
Sheath diameter, min.	5.5 mm	Sheath diameter, max.	9 mm
Contact holder materials	PA	Type of mounting	Screw mounting
Shielding material	Nickel silver	Shielding	360° all-round enclosure
Protection degree	IP67	Plugging cycles	≥ 100

#### Electrical properties

Current-carrying capacity at 50 °C	0.5 A @ 40 °C	Dielectric strength, contact / contact	≥ 500 V DC
Dielectric strength, contact / shield	≥ 500 V DC	Insulation strength	100 MΩ
PoE / PoE+	conforming to IEEE 802.3at	Rated voltage	50 V
Volume resistance	< 10 mΩ		

#### General standards

Certificate no. (cULus)	E471884	Connector standard	IEC 61076-2-109
-------------------------	---------	--------------------	-----------------

#### Classifications

ETIM 6.0	EC002635	ETIM 7.0	EC002635
eClass 9.0	27-44-01-02	eClass 9.1	27-44-01-03
eClass 10.0	27-44-01-02		

**Data sheet****Industrial Ethernet  
IE-PS-M12X-P-AWG22/27FH**

**Weidmüller Interface GmbH & Co. KG**  
Klingenbergstraße 26  
D-32758 Detmold  
Germany  
Fon: +49 5231 14-0  
Fax: +49 5231 14-292083  
www.weidmueller.com

**Technical data****Approvals**

Approvals



ROHS

Conform

**Downloads**Approval/Certificate/Document of  
Conformity[CC Link IE Field M12-X](#)

Brochure/Catalogue

[CAT 9 IETH 18/19 EN](#)  
[MB FREECONTACT EN](#)  
[FL FIELDWIRING EN](#)  
[PI PROFINET CABLING EN](#)

Engineering Data

[EPLAN, WSCAD](#)

User Documentation

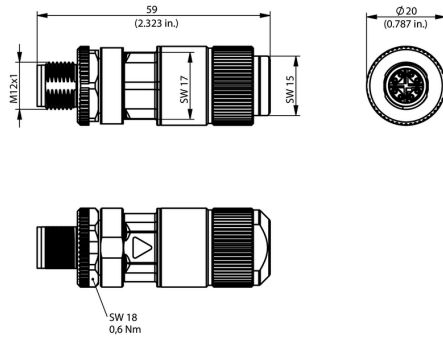
[MAN IE GUIDE DE](#)  
[MAN IE GUIDE EN](#)  
[Manual](#)

**Industrial Ethernet  
IE-PS-M12X-P-AWG22/27FH**

**Weidmüller Interface GmbH & Co. KG**  
Klingenbergstraße 26  
D-32758 Detmold  
Germany  
Fon: +49 5231 14-0  
Fax: +49 5231 14-292083  
www.weidmueller.com

**Drawings**

**Drawing**



**Industrial Ethernet  
IE-PS-M12X-P-AWG22/27FH**

**Weidmüller Interface GmbH & Co. KG**  
Klingenbergstraße 26  
D-32758 Detmold  
Germany  
Fon: +49 5231 14-0  
Fax: +49 5231 14-292083  
www.weidmueller.com

**Accessories**

**Tool**



Tools for stripping the sheathing from uncut power lines and outlet lines, plus screwdrivers for installing Pick-to-Light components.

**General ordering data**

Type	SCREWTY SET -DM	Version
Order No.	<a href="#">1920000000</a>	Tools, Bolting tool
GTIN (EAN)	4032248436859	
Qty.	1 pc(s).	

**Screwty® cable gland tool**



**The ideal tool for any application**

Screwty® is the ideal, all-purpose tool for tightening all common sensor and actuator cables. Even difficult-to-reach round plugs are accessible using the Screwty®. A simple turning movement tightens and loosens the connectors without the need for excessive force. The Screwty® is a unique and global solution since it fits with most cables and plugs from other vendors (over 90 %). The Screwty® consists of a handle with a conventional 1/4" adapter. Thus it can be used for all sizes: for M12 and M8 round plug-in connectors, and for M12F and M8F customisable plugs and sockets, as well as for all M23 plugs and sockets.

**General ordering data**

Type	SCREWTY SET	Version
Order No.	<a href="#">1910000000</a>	Tools, Bolting tool
GTIN (EAN)	4032248436842	
Qty.	1 pc(s).	
Type	SCREWTY- M12 F	Version
Order No.	<a href="#">1900020000</a>	Tools, Cable gland tool for M12 connectors
GTIN (EAN)	4032248375851	
Qty.	1 pc(s).	

**Industrial Ethernet  
IE-PS-M12X-P-AWG22/27FH**

**Weidmüller Interface GmbH & Co. KG**  
 Klingenbergstraße 26  
 D-32758 Detmold  
 Germany  
 Fon: +49 5231 14-0  
 Fax: +49 5231 14-292083  
 www.weidmueller.com

**Accessories**

**Screwty® cable gland tool with torque function**



**The ideal tool for any application**

Screwty® is the ideal, all-purpose tool for tightening all common sensor and actuator cables. Even difficult-to-reach round plugs are accessible using the Screwty®. A simple turning movement tightens and loosens the connectors without the need for excessive force. The Screwty® is a unique and global solution since it fits with most cables and plugs from other vendors (over 90 %). The Screwty® consists of a handle with a conventional 1/4" adapter. Thus it can be used for all sizes: for M12 and M8 round plug-in connectors, and for M12F and M8F customisable plugs and sockets, as well as for all M23 plugs and sockets.

**General ordering data**

Type	SCREWTY-M12 F-DM	Version	
Order No.	<a href="#">1900021000</a>	Tools, Cable gland tool for M12 connectors	
GTIN (EAN)	4032248436828		
Qty.	1 pc(s).		