

## OMNIMATE Signal - series BL/SL 5.08 BLF 5.08HC/15/270 SN OR BX

**Weidmüller Interface GmbH & Co. KG**  
Klingenbergstraße 26  
D-32758 Detmold  
Germany  
Fon: +49 5231 14-0  
Fax: +49 5231 14-292083  
www.weidmueller.com

### Product image



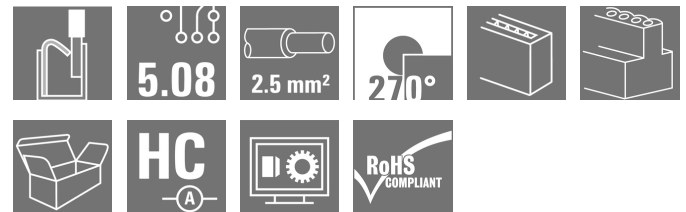
Similar to illustration

Just as reliable as the millionfold proven original and featuring innovative details:

The BLF 5.08HC PUSH IN version of the BLZP 5.08HC female connector is not only different in terms of connection system; it also has a more compact design. Weidmüller's innovative PUSH IN spring connection system stands for the future of easy and tool-free wire connection. HC = High Current.

In terms of versatility, the BLF 5.08HC offers just as much as the version which served as a model:

- 3 tested-and-proven wire outlet directions provide the usual flexibility for application-specific design
- 4 flange variations and the patented release latch allow the locking concept to be based on the requirements of the user
- Use the BLF 5.08HC and SL 5.08HC plug combination to reach the max. rated specifications



### General ordering data

|              |  |
|--------------|--|
| Type         | BLF 5.08HC/15/270 SN OR BX   |
| Order No.    | <a href="#">1982830000</a>   |
| Version      | PCB plug-in connector, female plug, 5.08 mm, Number of poles: 15, 270°, PUSH IN, Spring connection, Clamping range, max. : 3.31 mm², Box |
| GTIN (EAN)   | 4032248686926  |
| Qty.         | 24 pc(s).  |
| Product data | IEC: 400 V / 24 A / 0.2 - 2.5 mm²<br>UL: 300 V / 18.5 A / AWG 26 - AWG 12  |
| Packaging    | Box  |

**OMNIMATE Signal - series BL/SL 5.08  
BLF 5.08HC/15/270 SN OR BX**

**Weidmüller Interface GmbH & Co. KG**  
 Klingenbergstraße 26  
 D-32758 Detmold  
 Germany  
 Fon: +49 5231 14-0  
 Fax: +49 5231 14-292083  
 www.weidmueller.com

**Technical data****Dimensions and weights**

|            |         |                 |            |
|------------|---------|-----------------|------------|
| Width      | 76.2 mm | Width (inches)  | 3 inch     |
| Height     | 20.6 mm | Height (inches) | 0.811 inch |
| Depth      | 26.2 mm | Depth (inches)  | 1.031 inch |
| Net weight | 29.65 g |                 |            |

**System Parameters**

|  |                                     |  |                     |
|--|-------------------------------------|--|---------------------|
| Product family                               | OMNIMATE Signal - series BL/SL 5.08 | Type of connection                         | Field connection    |
| Wire connection method                       | PUSH IN, Spring connection          | Pitch in mm (P)                            | 5.08 mm             |
| Pitch in inches (P)                          | 0.2 inch                            | Conductor outlet direction                 | 270°                |
| Number of poles                              | 15                                  | L1 in mm                                   | 71.12 mm            |
| L1 in inches                                 | 2.8 inch                            | Number of rows                             | 1                   |
| Pin series quantity                          | 1                                   | Rated cross-section                        | 2.5 mm <sup>2</sup> |
| Touch-safe protection acc. to DIN VDE 57 106 | Safe from finger touch              | Touch-safe protection acc. to DIN VDE 0470 | IP 20               |
| Volume resistance                            | ≤ 5mΩ                               | Can be coded                               | Yes                 |
| Stripping length                             | 10 mm                               | Screwdriver blade                          | 0.6 x 3.5           |
| Screwdriver blade standard                   | DIN 5264                            | Plugging cycles                            | 25                  |
| Plugging force/pole, max.                    | 7 N                                 | Pulling force/pole, max.                   | 5.5 N               |

**Material data**

|                                       |                          |                                       |                     |
|---------------------------------------|--------------------------|---------------------------------------|---------------------|
| Insulating material                   | PBT                      | Colour                                | orange              |
| Colour of operational elements        | black                    | Material of operational elements      | PBT                 |
| Colour chart (similar)                | RAL 2000                 | Insulating material group             | IIIa                |
| Comparative Tracking Index (CTI)      | ≥ 200                    | Insulation strength                   | ≥ 10 <sup>8</sup> Ω |
| UL 94 flammability rating             | V-0                      | GWFI                                  | 960 °C              |
| Contact material                      | CuSn                     | Contact surface                       | tinned              |
| Layer structure of plug contact       | 4-8 μm Sn hot-dip tinned | Storage temperature, min.             | -25 °C              |
| Storage temperature, max.             | 50 °C                    | Max. relative humidity during storage | 70 %                |
| Operating temperature, min.           | -50 °C                   | Operating temperature, max.           | 100 °C              |
| Temperature range, installation, min. | -30 °C                   | Temperature range, installation, max. | 100 °C              |

**Conductors suitable for connection**

|  |                      |
|--|----------------------|
| Clamping range, min.   | 0.13 mm <sup>2</sup> |
| Clamping range, max.   | 3.31 mm <sup>2</sup> |
| Wire connection cross section AWG, min.                              | AWG 26               |
| Wire connection cross section AWG, max.                              | AWG 12               |
| Solid, min. H05(07) V-U  | 0.2 mm <sup>2</sup>  |
| Solid, max. H05(07) V-U  | 2.5 mm <sup>2</sup>  |
| Flexible, min. H05(07) V-K   | 0.2 mm <sup>2</sup>  |
| Flexible, max. H05(07) V-K   | 2.5 mm <sup>2</sup>  |
| w. plastic collar ferrule, DIN 46228 pt 4, 0.25 mm <sup>2</sup> min. |                      |
| w. plastic collar ferrule, DIN 46228 pt 4, 2.5 mm <sup>2</sup> max.  |                      |
| w. wire end ferrule, DIN 46228 pt 1, 0.25 mm <sup>2</sup> min.       |                      |
| w. wire end ferrule, DIN 46228 pt 1, 2.5 mm <sup>2</sup> max.        |                      |

Creation date May 3, 2020 2:32:27 AM CEST

**OMNIMATE Signal - series BL/SL 5.08**  
**BLF 5.08HC/15/270 SN OR BX**

**Weidmüller Interface GmbH & Co. KG**  
 Klingenbergstraße 26  
 D-32758 Detmold  
 Germany  
 Fon: +49 5231 14-0  
 Fax: +49 5231 14-292083  
 www.weidmueller.com

**Technical data**

Plug gauge in accordance with EN 60999 a x b; ø 2.8 mm x 2.0 mm

|  |  |                              |                              |
|--|--|------------------------------|------------------------------|
| Clampable conductor                    | Cross-section for conductor connection | Type                         | fine-wired                   |
|  |  | nominal                      | 0.5 mm <sup>2</sup>          |
| wire end ferrule                       |  | Stripping length             | nominal 12 mm                |
|  |  | Recommended wire-end ferrule | <a href="#">H0.5/16 OR</a>   |
|  |  | Stripping length             | nominal 10 mm                |
|  |  | Recommended wire-end ferrule | <a href="#">H0.5/10</a>      |
| Cross-section for conductor connection | Type                                   | fine-wired                   |                              |
|  | nominal                                | 0.75 mm <sup>2</sup>         |                              |
| wire end ferrule                       |  | Stripping length             | nominal 12 mm                |
|  |  | Recommended wire-end ferrule | <a href="#">H0.75/16 W</a>   |
|  |  | Stripping length             | nominal 10 mm                |
|  |  | Recommended wire-end ferrule | <a href="#">H0.75/10</a>     |
| Cross-section for conductor connection | Type                                   | fine-wired                   |                              |
|  | nominal                                | 1 mm <sup>2</sup>            |                              |
| wire end ferrule                       |  | Stripping length             | nominal 12 mm                |
|  |  | Recommended wire-end ferrule | <a href="#">H1.0/16D R</a>   |
|  |  | Stripping length             | nominal 10 mm                |
|  |  | Recommended wire-end ferrule | <a href="#">H1.0/10</a>      |
| Cross-section for conductor connection | Type                                   | fine-wired                   |                              |
|  | nominal                                | 1.5 mm <sup>2</sup>          |                              |
| wire end ferrule                       |  | Stripping length             | nominal 10 mm                |
|  |  | Recommended wire-end ferrule | <a href="#">H1.5/10</a>      |
|  |  | Stripping length             | nominal 12 mm                |
|  |  | Recommended wire-end ferrule | <a href="#">H1.5/16 R</a>    |
| Cross-section for conductor connection | nominal                                | 2.5 mm <sup>2</sup>          |                              |
|  | wire end ferrule                       | Stripping length             | nominal 10 mm                |
|  |  | Recommended wire-end ferrule | <a href="#">H2.5/10</a>      |
|  |  | Stripping length             | nominal 13 mm                |
|  |  | Recommended wire-end ferrule | <a href="#">H2.5/16DS BL</a> |

Reference text The outside diameter of the plastic collar should not be larger than the pitch (P). Length of ferrules is to be chosen depending on the product and the rated voltage.

Max. clamping range 3.31 mm<sup>2</sup>

**Rated data acc. to IEC**


|   |                        |   |                   |
|---|------------------------|---|-------------------|
| tested acc. to standard   | IEC 60664-1, IEC 61984 | Rated current, min. number of poles (Tu=20°C)                         | 24 A              |
| Rated current, max. number of poles (Tu=20°C)                             | 19 A                   | Rated current, min. number of poles (Tu=40°C)                         | 21 A              |
| Rated current, max. number of poles (Tu=40°C)                             | 16.5 A                 | Rated voltage for surge voltage class / pollution degree II/2         | 400 V             |
| Rated voltage for surge voltage class / pollution degree III/2            | 320 V                  | Rated voltage for surge voltage class / pollution degree III/3        | 250 V             |
| Rated impulse voltage for surge voltage class/ pollution degree II/2      | 4 kV                   | Rated impulse voltage for surge voltage class/ pollution degree III/2 | 4 kV              |
| Rated impulse voltage for surge voltage class/ contamination degree III/3 | 4 kV                   | Short-time withstand current resistance                               | 3 x 1s with 120 A |

Creation date May 3, 2020 2:32:27 AM CEST


**OMNIMATE Signal - series BL/SL 5.08  
BLF 5.08HC/15/270 SN OR BX**

**Weidmüller Interface GmbH & Co. KG**  
Klingenbergstraße 26  
D-32758 Detmold  
Germany  
Fon: +49 5231 14-0  
Fax: +49 5231 14-292083  
www.weidmueller.com

**Technical data**
**Rated data acc. to CSA**

|                                   |   |                                   |                |
|-----------------------------------|---|-----------------------------------|----------------|
| Institute (CSA)                   |  | Certificate No. (CSA)             | 200039-1121690 |
| Rated voltage (Use group B / CSA) | 300 V   | Rated voltage (Use group D / CSA) | 300 V          |
| Rated current (Use group B / CSA) | 10 A  | Rated current (Use group D / CSA) | 10 A           |
| Wire cross-section, AWG, min.     | AWG 12  | Wire cross-section, AWG, max.     | AWG 26         |
| Reference to approval values      | Specifications are maximum values, details - see approval certificate.            |                                   |                |

**Rated data acc. to UL 1059**

|                                       |   |                                       |        |
|---------------------------------------|---|---------------------------------------|--------|
| Institute (cURus)                     |  | Certificate No. (cURus)               | E60693 |
| Rated voltage (Use group B / UL 1059) | 300 V   | Rated voltage (Use group D / UL 1059) | 300 V  |
| Rated current (Use group B / UL 1059) | 18,5 A  | Rated current (Use group D / UL 1059) | 10 A   |
| Wire cross-section, AWG, min.         | AWG 26  | Wire cross-section, AWG, max.         | AWG 12 |
| Reference to approval values          | Specifications are maximum values, details - see approval certificate.            |                                       |        |

**Packing**

|           |     |            |   |
|-----------|-----|------------|---|
| Packaging | Box | VPE length | 0 |
| VPE width | 0   | VPE height | 0 |

**Classifications**

|             |             |            |             |
|-------------|-------------|------------|-------------|
| ETIM 6.0    | EC002638    | ETIM 7.0   | EC002638    |
| eClass 9.0  | 27-44-03-09 | eClass 9.1 | 27-44-03-09 |
| eClass 10.0 | 27-44-03-09 | UNSPSC     | 30-21-18-01 |

**Notes**

|                |   |
|----------------|---|
| Notes          | <ul style="list-style-type: none"> <li>• Additional colours on request</li> <li>• Gold-plated contact surfaces on request</li> <li>• Rated current related to rated cross-section &amp; min. No. of poles.</li> <li>• Wire end ferrule without plastic collar to DIN 46228/1</li> <li>• Wire end ferrule with plastic collar to DIN 46228/4</li> <li>• P on drawing = pitch</li> <li>• Crimping shape "A" for wire end ferrules with PZ 6/5 crimping tool recommended.</li> <li>• The test point can only be used as potential-pickup point.</li> </ul> |
| IPC conformity | Conformity: The products are developed, manufactured and delivered according international recognized standards and norms and comply with the assured properties in the data sheet resp. fulfill decorative properties in accordance with IPC-A-610 "Class 2". Further claims on the products can be evaluated on request.  |

Creation date May 3, 2020 2:32:27 AM CEST

**Data sheet**

**OMNIMATE Signal - series BL/SL 5.08  
BLF 5.08HC/15/270 SN OR BX**

**Weidmüller Interface GmbH & Co. KG**  
Klingenbergstraße 26  
D-32758 Detmold  
Germany  
Fon: +49 5231 14-0  
Fax: +49 5231 14-292083  
www.weidmueller.com

**Technical data**

**Approvals**

Approvals



ROHS

Conform

**Downloads**

Approval/Certificate/Document of  
Conformity

[Declaration of the Manufacturer](#)

Brochure/Catalogue

- [FL DRIVES EN](#)
- [MB DEVICE MANUF. EN](#)
- [FL DRIVES DE](#)
- [CAT 2 PORTFOLIOGUIDE EN](#)
- [FL BUILDING SAFETY EN](#)
- [FL APPL LED LIGHTING EN](#)
- [FLIndustr.CONTROLS EN](#)
- [FL MACHINE SAFETY EN](#)
- [FL HEATING ELECTR EN](#)
- [FL APPL INVERTER EN](#)
- [FL\\_BASE\\_STATION\\_EN](#)
- [FL ELEVATOR EN](#)
- [FL POWER SUPPLY EN](#)
- [FL 72H SAMPLE SER EN](#)
- [PO OMNIMATE EN](#)

Engineering Data

[EPLAN\\_WSCAD](#)

Engineering Data

[STEP](#)

White paper PUSH IN wire connection

[Download Whitepaper](#)

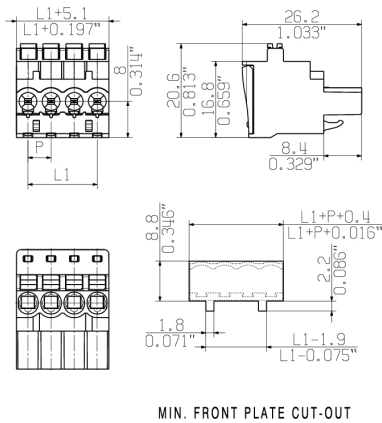
**Data sheet**

**OMNIMATE Signal - series BL/SL 5.08  
BLF 5.08HC/15/270 SN OR BX**

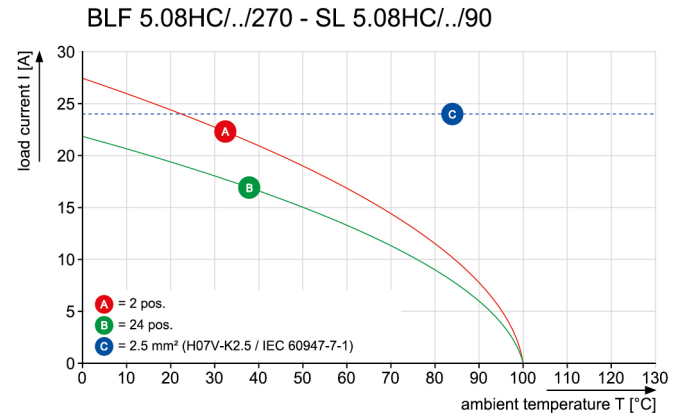
**Weidmüller Interface GmbH & Co. KG**  
Klingenbergstraße 26  
D-32758 Detmold  
Germany  
Fon: +49 5231 14-0  
Fax: +49 5231 14-292083  
www.weidmueller.com

**Drawings**

**Dimensional drawing**



**Graph**

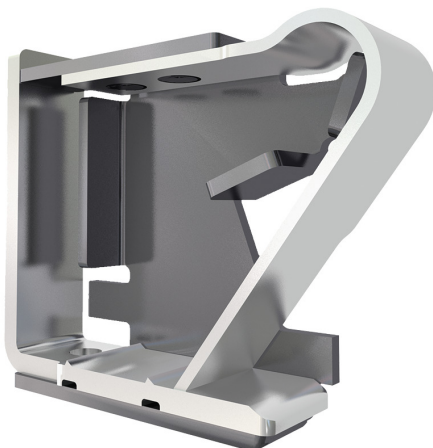


**Product benefits**



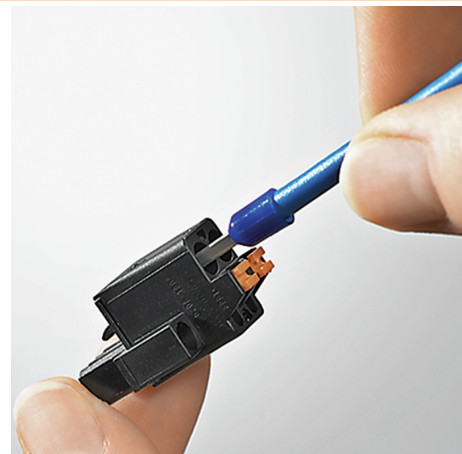
Uncompromising functionality  
High vibration resistance

**Product benefits**



Solid PUSH IN contact  
Safe and durable

**Product benefits**



Cost-effective wiring  
Quick and intuitive operation

**OMNIMATE Signal - series BL/SL 5.08  
BLF 5.08HC/15/270 SN OR BX**

**Weidmüller Interface GmbH & Co. KG**  
Klingenbergstraße 26  
D-32758 Detmold  
Germany  
Fon: +49 5231 14-0  
Fax: +49 5231 14-292083  
www.weidmueller.com

**Mating connector (fully pluggable)**
**SL 5.08HC/90B**


Pin headers made from glass-fibre-reinforced plastic with 90° wire outlet; optimised for wave soldering. The flange variant (F) can be screwed onto the respective counter piece or the circuit board. There is no need for an extra screw to connect the circuit board when the solder flange (LF) version is used. This also protects the solder points from mechanical strain. All pin headers can be manually coded or ordered pre-coded. HC = High Current.

**General ordering data**

| Type       | SL 5.08HC/15/90B 3.2SN ... | Version  | Product data       | Packaging |
|------------|----------------------------|--|--------------------|-----------|
| Order No.  | <a href="#">1154910000</a> | PCB plug-in connector, male header, Dovetails for fixing blocks, THT | IEC: 400 V / 24 A  | Box       |
| GTIN (EAN) | 4050118050912              | solder connection, 5.08 mm, Number of poles: 15, 90°, Solder pin     | UL: 300 V / 18.5 A |           |
| Qty.       | 50 pc(s).                  | length (l): 3.2 mm, tinned, orange, Box                              |                    |           |
| Type       | SL 5.08HC/15/90B 3.2SN ... | Version  | Product data       | Packaging |
| Order No.  | <a href="#">1155720000</a> | PCB plug-in connector, male header, Dovetails for fixing blocks, THT | IEC: 400 V / 24 A  | Box       |
| GTIN (EAN) | 4050118050226              | solder connection, 5.08 mm, Number of poles: 15, 90°, Solder pin     | UL: 300 V / 18.5 A |           |
| Qty.       | 50 pc(s).                  | length (l): 3.2 mm, tinned, black, Box                               |                    |           |

**SL-SMT 5.08HC/90G Box**


High-temperature-resistant pin header, packed in box or tape. On tape, with 1.5 mm solder pin, optimised for automatic assembly. 3.2 mm solder pin suitable for reflow and wave soldering. The pin headers provide space for labelling and can be coded. HC = High Current.

**General ordering data**

| Type       | SL-SMT 5.08HC/15/90G 1. ... | Version   | Product data        | Packaging |
|------------|-----------------------------|---|---------------------|-----------|
| Order No.  | <a href="#">1775132001</a>  | PCB plug-in connector, male header, closed side, THT/THR solder       | IEC: 400 V / 27.5 A | Box       |
| GTIN (EAN) | 4032248156603               | connection, 5.08 mm, Number of poles: 15, 90°, Solder pin length (l): | UL: 300 V / 18.5 A  |           |
| Qty.       | 50 pc(s).                   | 1.5 mm, tinned, black, Box  |                     |           |
| Type       | SL-SMT 5.08HC/15/90G 3. ... | Version   | Product data        | Packaging |
| Order No.  | <a href="#">1780310000</a>  | PCB plug-in connector, male header, closed side, THT/THR solder       | IEC: 400 V / 27.5 A | Box       |
| GTIN (EAN) | 4032248165636               | connection, 5.08 mm, Number of poles: 15, 90°, Solder pin length (l): | UL: 300 V / 18.5 A  |           |
| Qty.       | 50 pc(s).                   | 3.2 mm, tinned, black, Box  |                     |           |

**OMNIMATE Signal - series BL/SL 5.08  
BLF 5.08HC/15/270 SN OR BX**

**Weidmüller Interface GmbH & Co. KG**  
Klingenbergstraße 26  
D-32758 Detmold  
Germany  
Fon: +49 5231 14-0  
Fax: +49 5231 14-292083  
www.weidmueller.com

**Mating connector (fully pluggable)**
**SL 5.08HC/180G**


Pin headers in glass-fibre-reinforced plastic with straight wire outlet; optimised for wave soldering. The flange variant (F) can be screwed onto the respective counter piece or the circuit board. There is no need for an extra screw to connect the circuit board when the solder flange (LF) version is used. This also protects the solder points from mechanical strain. All pin headers can be manually coded or ordered pre-coded. HC = High Current.

**General ordering data**

| Type       | SL 5.08HC/15/180G 3.2SN ... | Version  | Product data                            | Packaging |
|------------|-----------------------------|--|---|-----------|
| Order No.  | <a href="#">1147020000</a>  | PCB plug-in connector, male header, closed side, THT solder connection, 5.08 mm, Number of poles: 15, 180°, Solder pin length (l): 3.2 mm, tinned, orange, Box | IEC: 400 V / 24 A<br>UL: 300 V / 18.5 A | Box       |
| GTIN (EAN) | 4032248108558               |  |   |           |
| Qty.       | 50 pc(s).                   |  |   |           |
| Type       | SL 5.08HC/15/180G 3.2SN ... | Version  | Product data                            | Packaging |
| Order No.  | <a href="#">1149070000</a>  | PCB plug-in connector, male header, closed side, THT solder connection, 5.08 mm, Number of poles: 15, 180°, Solder pin length (l): 3.2 mm, tinned, black, Box  | IEC: 400 V / 24 A<br>UL: 300 V / 18.5 A | Box       |
| GTIN (EAN) | 4032248934485               |  |   |           |
| Qty.       | 50 pc(s).                   |  |   |           |

**SLT 5.08B**


Male plugs with screw TOP wire connection. The male plug provides space for labelling and can be coded.

**General ordering data**

| Type       | SLT 5.08/15/180B SN OR ... | Version  | Product data  | Packaging |
|------------|----------------------------|--|---|-----------|
| Order No.  | <a href="#">1611840000</a> | PCB plug-in connector, male plug, 5.08 mm, Number of poles: 15, 180°, TOP connection, Clamping range, max. : 2.5 mm <sup>2</sup> , Box | IEC: 400 V / 16 A / 0.2 - 2.5 mm <sup>2</sup><br>UL: 300 V / 15 A / AWG 26 - AWG 14 | Box       |
| GTIN (EAN) | 4008190192723              |  |   |           |
| Qty.       | 50 pc(s).                  |  |   |           |



**OMNIMATE Signal - series BL/SL 5.08  
BLF 5.08HC/15/270 SN OR BX**

**Weidmüller Interface GmbH & Co. KG**  
Klingenbergstraße 26  
D-32758 Detmold  
Germany  
Fon: +49 5231 14-0  
Fax: +49 5231 14-292083  
www.weidmueller.com

**Mating connector (fully pluggable)**
**SLDV 5.08/90B**


Pin headers with solder pin length optimised for wave flow soldering. The male connectors provide space for labelling and can be coded. HC = High Current.

**General ordering data**

| Type       | SLD 5.08V/30/90B 3.2 SN ... | Version  | Product data      | Packaging |
|------------|-----------------------------|--|-------------------|-----------|
| Order No.  | <a href="#">1726410000</a>  | PCB plug-in connector, male header, Dovetails for fixing blocks, THT | IEC: 400 V / 17 A | Box       |
| GTIN (EAN) | 4032248061389               | solder connection, 5.08 mm, Number of poles: 30, 90°, Solder pin     | UL: 300 V / 10 A  |           |
| Qty.       | 10 pc(s).                   | length (l): 3.2 mm, tinned, orange, Box                              |                   |           |

**SL 5.08/90B**

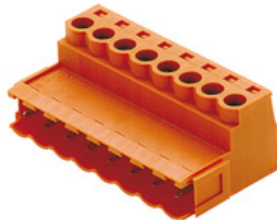

Male connectors with 90° outlet direction. The solder pin length is optimised for wave flow soldering. The pin headers provide space for labelling and can be coded.

**General ordering data**

| Type       | SL 5.08/15/90B 3.2SN OR ... | Version  | Product data      | Packaging |
|------------|-----------------------------|--|-------------------|-----------|
| Order No.  | <a href="#">1511660000</a>  | PCB plug-in connector, male header, Dovetails for fixing blocks, THT | IEC: 400 V / 18 A | Box       |
| GTIN (EAN) | 4008190003463               | solder connection, 5.08 mm, Number of poles: 15, 90°, Solder pin     | UL: 300 V / 15 A  |           |
| Qty.       | 50 pc(s).                   | length (l): 3.2 mm, tinned, orange, Box                              |                   |           |

**OMNIMATE Signal - series BL/SL 5.08  
BLF 5.08HC/15/270 SN OR BX**

**Weidmüller Interface GmbH & Co. KG**  
Klingenbergstraße 26  
D-32758 Detmold  
Germany  
Fon: +49 5231 14-0  
Fax: +49 5231 14-292083  
www.weidmueller.com

**Mating connector (fully pluggable)**
**SLS 5.08/180B**


Male plugs with clamping-yoke screw wire-connect system. The male plugs provide space for labelling and can be coded.

**General ordering data**

| Type       | SLS 5.08/15/180B SN OR ... | Version   | Product data                                    | Packaging |
|------------|----------------------------|---|---|-----------|
| Order No.  | <a href="#">1627370000</a> | PCB plug-in connector, male plug, 5.08 mm, Number of poles: 15,               | IEC: 400 V / 21.5 A / 0.2 - 2.5 mm <sup>2</sup> | Box       |
| GTIN (EAN) | 4008190199883              | 180°, Clamping yoke connection, Clamping range, max. : 3.31 mm <sup>2</sup> , | UL: 300 V / 14 A / AWG 26 - AWG 12              |           |
| Qty.       | 24 pc(s).                  | Box   |   |           |

**SL 5.08HC/180**


Pin headers in glass-fibre-reinforced plastic with straight wire outlet; optimised for wave soldering. The flange variant (F) can be screwed onto the respective counter piece or the circuit board. There is no need for an extra screw to connect the circuit board when the solder flange (LF) version is used. This also protects the solder points from mechanical strain. All pin headers can be manually coded or ordered pre-coded. HC = High Current.

**General ordering data**

| Type       | SL 5.08HC/15/180 3.2SN ... | Version   | Product data       | Packaging |
|------------|----------------------------|---|--------------------|-----------|
| Order No.  | <a href="#">1148390000</a> | PCB plug-in connector, male header, open side, THT solder         | IEC: 400 V / 24 A  | Box       |
| GTIN (EAN) | 4032248934744              | connection, 5.08 mm, Number of poles: 15, 180°, Solder pin length | UL: 300 V / 18.5 A |           |
| Qty.       | 50 pc(s).                  | (I): 3.2 mm, tinned, black, Box                                   |                    |           |
| Type       | SL 5.08HC/15/180 3.2SN ... | Version   | Product data       | Packaging |
| Order No.  | <a href="#">1146600000</a> | PCB plug-in connector, male header, open side, THT solder         | IEC: 400 V / 24 A  | Box       |
| GTIN (EAN) | 4032248933273              | connection, 5.08 mm, Number of poles: 15, 180°, Solder pin length | UL: 300 V / 18.5 A |           |
| Qty.       | 50 pc(s).                  | (I): 3.2 mm, tinned, orange, Box                                  |                    |           |

**OMNIMATE Signal - series BL/SL 5.08  
BLF 5.08HC/15/270 SN OR BX**

**Weidmüller Interface GmbH & Co. KG**  
Klingenbergstraße 26  
D-32758 Detmold  
Germany  
Fon: +49 5231 14-0  
Fax: +49 5231 14-292083  
www.weidmueller.com

**Mating connector (fully pluggable)**
**SL 5.08/135**


Male connectors with 135° outlet direction. The solder pin length is optimised for wave flow soldering. The pin headers provide space for labelling and can be coded.

**General ordering data**

| Type       | SL 5.08/15/135 3.2SN OR ... | Version   | Product data      | Packaging |
|------------|-----------------------------|---|-------------------|-----------|
| Order No.  | <a href="#">1603190000</a>  | PCB plug-in connector, male header, open side, THT solder         | IEC: 400 V / 17 A | Box       |
| GTIN (EAN) | 4008190024949               | connection, 5.08 mm, Number of poles: 15, 135°, Solder pin length | UL: 300 V / 15 A  |           |
| Qty.       | 50 pc(s).                   | (I): 3.2 mm, tinned, orange, Box                                  |                   |           |

**SLDV 5.08/90**


Pin headers with solder pin length optimised for wave flow soldering. The male connectors provide space for labelling and can be coded. HC = High Current.

**General ordering data**

| Type       | SLD 5.08V/30/90 3.2 SN ... | Version   | Product data      | Packaging |
|------------|----------------------------|---|-------------------|-----------|
| Order No.  | <a href="#">1725300000</a> | PCB plug-in connector, male header, open side, THT solder             | IEC: 400 V / 17 A | Box       |
| GTIN (EAN) | 4032248060702              | connection, 5.08 mm, Number of poles: 30, 90°, Solder pin length (I): | UL: 300 V / 10 A  |           |
| Qty.       | 10 pc(s).                  | 3.2 mm, tinned, orange, Box   |                   |           |

**OMNIMATE Signal - series BL/SL 5.08  
BLF 5.08HC/15/270 SN OR BX**

**Weidmüller Interface GmbH & Co. KG**  
Klingenbergstraße 26  
D-32758 Detmold  
Germany  
Fon: +49 5231 14-0  
Fax: +49 5231 14-292083  
www.weidmueller.com

**Mating connector (fully pluggable)**
**SL 5.08HC/180B**


Pin headers in glass-fibre-reinforced plastic with straight wire outlet; optimised for wave soldering. The flange variant (F) can be screwed onto the respective counter piece or the circuit board. There is no need for an extra screw to connect the circuit board when the solder flange (LF) version is used. This also protects the solder points from mechanical strain. All pin headers can be manually coded or ordered pre-coded. HC = High Current.

**General ordering data**

| Type       | SL 5.08HC/15/180B 3.2SN ... | Version  | Product data       | Packaging |
|------------|-----------------------------|--|--------------------|-----------|
| Order No.  | <a href="#">1147730000</a>  | PCB plug-in connector, male header, Dovetails for fixing blocks, THT | IEC: 400 V / 24 A  | Box       |
| GTIN (EAN) | 4032248933105               | solder connection, 5.08 mm, Number of poles: 15, 180°, Solder pin    | UL: 300 V / 18.5 A |           |
| Qty.       | 50 pc(s).                   | length (l): 3.2 mm, tinned, orange, Box                              |                    |           |
| Type       | SL 5.08HC/15/180B 3.2SN ... | Version  | Product data       | Packaging |
| Order No.  | <a href="#">1149830000</a>  | PCB plug-in connector, male header, Dovetails for fixing blocks, THT | IEC: 400 V / 24 A  | Box       |
| GTIN (EAN) | 4032248935420               | solder connection, 5.08 mm, Number of poles: 15, 180°, Solder pin    | UL: 300 V / 18.5 A |           |
| Qty.       | 50 pc(s).                   | length (l): 3.2 mm, tinned, black, Box                               |                    |           |

**SL-SMT 5.08/180G Box**


High-temperature-resistant pin header, packed in box or tape. On tape, with 1.5 mm solder pin, optimised for automatic assembly. 3.2 mm solder pin suitable for reflow and wave soldering. The pin headers provide space for labelling and can be coded. HC = High Current.

**General ordering data**

| Type       | SL-SMT 5.08HC/15/180G 3 ... | Version   | Product data        | Packaging |
|------------|-----------------------------|---|---------------------|-----------|
| Order No.  | <a href="#">1838340000</a>  | PCB plug-in connector, male header, closed side, THT/THR solder   | IEC: 400 V / 27.5 A | Box       |
| GTIN (EAN) | 4032248348404               | connection, 5.08 mm, Number of poles: 15, 180°, Solder pin length | UL: 300 V / 18.5 A  |           |
| Qty.       | 50 pc(s).                   | (l): 3.2 mm, tinned, black, Box                                   |                     |           |
| Type       | SL-SMT 5.08HC/15/180G 1 ... | Version   | Product data        | Packaging |
| Order No.  | <a href="#">1776262001</a>  | PCB plug-in connector, male header, closed side, THT/THR solder   | IEC: 400 V / 27.5 A | Box       |
| GTIN (EAN) | 4032248159048               | connection, 5.08 mm, Number of poles: 15, 180°, Solder pin length | UL: 300 V / 18.5 A  |           |
| Qty.       | 50 pc(s).                   | (l): 1.5 mm, tinned, black, Box                                   |                     |           |

**OMNIMATE Signal - series BL/SL 5.08  
BLF 5.08HC/15/270 SN OR BX**

**Weidmüller Interface GmbH & Co. KG**  
Klingenbergstraße 26  
D-32758 Detmold  
Germany  
Fon: +49 5231 14-0  
Fax: +49 5231 14-292083  
www.weidmueller.com

**Mating connector (fully pluggable)**
**SL 5.08/90**


Male connectors with 90° outlet direction. The solder pin length is optimised for wave flow soldering. The pin headers provide space for labelling and can be coded.

**General ordering data**

| Type       | SL 5.08/15/90 3.2SN OR ... | Version   | Product data      | Packaging |
|------------|----------------------------|---|-------------------|-----------|
| Order No.  | <a href="#">1509360000</a> | PCB plug-in connector, male header, open side, THT solder             | IEC: 400 V / 18 A | Box       |
| GTIN (EAN) | 4008190094393              | connection, 5.08 mm, Number of poles: 15, 90°, Solder pin length (l): | UL: 300 V / 15 A  |           |
| Qty.       | 50 pc(s).                  | 3.2 mm, tinned, orange, Box   |                   |           |

**SL-SMT 5.08/180 Box**

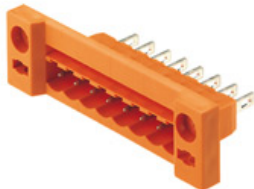

High-temperature-resistant, straight, open pin header. Packed in box or tape. On tape and with 1.5 mm solder pin, optimised for automatic assembly. 3.2 mm solder pin suitable for reflow and wave soldering. The pin headers provide space for labelling and can be coded. HC = High Current.

**General ordering data**

| Type       | SL-SMT 5.08HC/15/180 3. ... | Version   | Product data        | Packaging |
|------------|-----------------------------|---|---------------------|-----------|
| Order No.  | <a href="#">1838110000</a>  | PCB plug-in connector, male header, open side, THT/THR solder     | IEC: 400 V / 27.5 A | Box       |
| GTIN (EAN) | 4032248348176               | connection, 5.08 mm, Number of poles: 15, 180°, Solder pin length | UL: 300 V / 18.5 A  |           |
| Qty.       | 50 pc(s).                   | (l): 3.2 mm, tinned, black, Box                                   |                     |           |
| Type       | SL-SMT 5.08/15/180 1.5S ... | Version   | Product data        | Packaging |
| Order No.  | <a href="#">1775732001</a>  | PCB plug-in connector, male header, open side, THT/THR solder     | IEC: 400 V / 27.5 A | Box       |
| GTIN (EAN) | 4032248158386               | connection, 5.08 mm, Number of poles: 15, 180°, Solder pin length | UL: 300 V / 18.5 A  |           |
| Qty.       | 50 pc(s).                   | (l): 1.5 mm, tinned, black, Box                                   |                     |           |

**OMNIMATE Signal - series BL/SL 5.08  
BLF 5.08HC/15/270 SN OR BX**

**Weidmüller Interface GmbH & Co. KG**  
Klingenbergstraße 26  
D-32758 Detmold  
Germany  
Fon: +49 5231 14-0  
Fax: +49 5231 14-292083  
www.weidmueller.com

**Mating connector (fully pluggable)**
**SLDF 5.08**


Male connector for through-panel mounting with optional locking function. Internal connection as flat-blade or solder connection. These male connectors provide space for labelling and can be coded.

**General ordering data**

| Type       | SLDF 5.08 L/F 15 SN OR ... | Version   | Product data      | Packaging |
|------------|----------------------------|---|-------------------|-----------|
| Order No.  | <a href="#">1599260000</a> | PCB plug-in connector, male header, 5.08 mm, Number of poles: 15, | IEC: 400 V / 15 A | Box       |
| GTIN (EAN) | 4008190142025              | 180°, Flat-blade connection, Solder connection, Box               | UL: 300 V / 10 A  |           |
| Qty.       | 18 pc(s).                  |   |                   |           |

**SLDV 5.08/180**


Pin headers with solder pin length optimised for wave flow soldering. The male connectors provide space for labelling and can be coded. HC = High Current.

**General ordering data**

| Type       | SLD 5.08V/30/180 3.2SN ... | Version   | Product data      | Packaging |
|------------|----------------------------|---|-------------------|-----------|
| Order No.  | <a href="#">1725780000</a> | PCB plug-in connector, male header, open side, THT solder         | IEC: 400 V / 14 A | Box       |
| GTIN (EAN) | 4032248062072              | connection, 5.08 mm, Number of poles: 30, 180°, Solder pin length | UL: 300 V / 10 A  |           |
| Qty.       | 10 pc(s).                  | (I): 3.2 mm, tinned, orange, Box                                  |                   |           |

**OMNIMATE Signal - series BL/SL 5.08  
BLF 5.08HC/15/270 SN OR BX**

**Weidmüller Interface GmbH & Co. KG**  
Klingenbergstraße 26  
D-32758 Detmold  
Germany  
Fon: +49 5231 14-0  
Fax: +49 5231 14-292083  
www.weidmueller.com

**Mating connector (fully pluggable)**
**SL 5.08/135B**


Male connectors with 135° outlet direction. The solder pin length is optimised for wave flow soldering. The pin headers provide space for labelling and can be coded.

**General ordering data**

| Type       | SL 5.08/15/135B 3.2SN O ... | Version  | Product data      | Packaging |
|------------|-----------------------------|--|-------------------|-----------|
| Order No.  | <a href="#">1605660000</a>  | PCB plug-in connector, male header, Dovetails for fixing blocks, THT | IEC: 400 V / 17 A | Box       |
| GTIN (EAN) | 4008190137588               | solder connection, 5.08 mm, Number of poles: 15, 135°, Solder pin    | UL: 300 V / 15 A  |           |
| Qty.       | 50 pc(s).                   | length (l): 3.2 mm, tinned, orange, Box                              |                   |           |

**SL-SMT 5.08HC/90 Box**


High-temperature-resistant, 90° angled, open male header. Packed in box or tape. On tape, with 1.5 mm solder pin, optimised for automatic assembly. 3.2 mm solder pin suitable for reflow and wave soldering. The pin headers provide space for labelling and can be coded. HC = High Current.

**General ordering data**

| Type       | SL-SMT 5.08HC/15/90 3.2 ... | Version   | Product data        | Packaging |
|------------|-----------------------------|---|---------------------|-----------|
| Order No.  | <a href="#">1780080000</a>  | PCB plug-in connector, male header, open side, THT/THR solder         | IEC: 400 V / 27.5 A | Box       |
| GTIN (EAN) | 4032248165407               | connection, 5.08 mm, Number of poles: 15, 90°, Solder pin length (l): | UL: 300 V / 18.5 A  |           |
| Qty.       | 50 pc(s).                   | 3.2 mm, tinned, black, Box  |                     |           |
| Type       | SL-SMT 5.08HC/15/90 1.5 ... | Version   | Product data        | Packaging |
| Order No.  | <a href="#">1774892001</a>  | PCB plug-in connector, male header, open side, THT/THR solder         | IEC: 400 V / 27.5 A | Box       |
| GTIN (EAN) | 4032248155934               | connection, 5.08 mm, Number of poles: 15, 90°, Solder pin length (l): | UL: 300 V / 18.5 A  |           |
| Qty.       | 50 pc(s).                   | 1.5 mm, tinned, black, Box  |                     |           |

**OMNIMATE Signal - series BL/SL 5.08  
BLF 5.08HC/15/270 SN OR BX**

**Weidmüller Interface GmbH & Co. KG**  
Klingenbergstraße 26  
D-32758 Detmold  
Germany  
Fon: +49 5231 14-0  
Fax: +49 5231 14-292083  
www.weidmueller.com

**Mating connector (fully pluggable)**
**SL 5.08/180B**


Male connectors with straight outlet direction. The solder pin length is optimised for wave flow soldering. The pin headers provide space for labelling and can be coded.

**General ordering data**

| Type       | SL 5.08/15/180B 3.2SN O ... | Version  | Product data      | Packaging |
|------------|-----------------------------|--|-------------------|-----------|
| Order No.  | <a href="#">1520860000</a>  | PCB plug-in connector, male header, Dovetails for fixing blocks, THT | IEC: 400 V / 18 A | Box       |
| GTIN (EAN) | 4008190135416               | solder connection, 5.08 mm, Number of poles: 15, 180°, Solder pin    | UL: 300 V / 15 A  |           |
| Qty.       | 50 pc(s).                   | length (l): 3.2 mm, tinned, orange, Box                              |                   |           |

**SL 5.08/180**


Male connectors with straight outlet direction. The solder pin length is optimised for wave flow soldering. The pin headers provide space for labelling and can be coded.

**General ordering data**

| Type       | SL 5.08/15/180 3.2SN OR ... | Version   | Product data      | Packaging |
|------------|-----------------------------|---|-------------------|-----------|
| Order No.  | <a href="#">1518560000</a>  | PCB plug-in connector, male header, open side, THT solder         | IEC: 400 V / 18 A | Box       |
| GTIN (EAN) | 4008190037338               | connection, 5.08 mm, Number of poles: 15, 180°, Solder pin length | UL: 300 V / 15 A  |           |
| Qty.       | 50 pc(s).                   | (l): 3.2 mm, tinned, orange, Box                                  |                   |           |



**OMNIMATE Signal - series BL/SL 5.08  
BLF 5.08HC/15/270 SN OR BX**

**Weidmüller Interface GmbH & Co. KG**  
Klingenbergstraße 26  
D-32758 Detmold  
Germany  
Fon: +49 5231 14-0  
Fax: +49 5231 14-292083  
www.weidmueller.com

**Mating connector (fully pluggable)**
**SLS 5.08/180 SN**


Male plugs with clamping-yoke screw wire-connect system. The male plugs provide space for labelling and can be coded.

**General ordering data**

| Type       | SLS 5.08/15/180 SN OR BX   | Version   | Product data                                    | Packaging |
|------------|----------------------------|---|---|-----------|
| Order No.  | <a href="#">1627220000</a> | PCB plug-in connector, male plug, 5.08 mm, Number of poles: 15,               | IEC: 400 V / 21.5 A / 0.2 - 2.5 mm <sup>2</sup> | Box       |
| GTIN (EAN) | 4008190199739              | 180°, Clamping yoke connection, Clamping range, max. : 3.31 mm <sup>2</sup> , | UL: 300 V / 14 A / AWG 26 - AWG 12              |           |
| Qty.       | 24 pc(s).                  | Box   |   |           |

**SL 5.08HC/90**


Pin headers made from glass-fibre-reinforced plastic with 90° wire outlet; optimised for wave soldering. The flange variant (F) can be screwed onto the respective counter piece or the circuit board. There is no need for an extra screw to connect the circuit board when the solder flange (LF) version is used. This also protects the solder points from mechanical strain. All pin headers can be manually coded or ordered pre-coded. HC = High Current.

**General ordering data**

| Type       | SL 5.08HC/15/90 3.2SN O ... | Version   | Product data       | Packaging |
|------------|-----------------------------|---|--------------------|-----------|
| Order No.  | <a href="#">1147010000</a>  | PCB plug-in connector, male header, open side, THT solder             | IEC: 400 V / 24 A  | Box       |
| GTIN (EAN) | 4050118051377               | connection, 5.08 mm, Number of poles: 15, 90°, Solder pin length (l): | UL: 300 V / 18.5 A |           |
| Qty.       | 50 pc(s).                   | 3.2 mm, tinned, orange, Box   |                    |           |
| Type       | SL 5.08HC/15/90 3.2SN B ... | Version   | Product data       | Packaging |
| Order No.  | <a href="#">1155190000</a>  | PCB plug-in connector, male header, open side, THT solder             | IEC: 400 V / 24 A  | Box       |
| GTIN (EAN) | 4050118050684               | connection, 5.08 mm, Number of poles: 15, 90°, Solder pin length (l): | UL: 300 V / 18.5 A |           |
| Qty.       | 50 pc(s).                   | 3.2 mm, tinned, black, Box  |                    |           |

## OMNIMATE Signal - series BL/SL 5.08 BLF 5.08HC/15/270 SN OR BX

**Weidmüller Interface GmbH & Co. KG**  
 Klingenbergstraße 26  
 D-32758 Detmold  
 Germany  
 Fon: +49 5231 14-0  
 Fax: +49 5231 14-292083  
 www.weidmueller.com

# Accessories

## Coding elements



**Only connects what is supposed to be connected: the right connection at the right place.**

Coding elements and locking devices clearly assign connecting elements during the manufacturing process and operation

The coding elements and locking devices are inserted prior to assembly or during the cable assembly phase. The Weidmüller alternative: configure online using the variant configurator to precode prior to delivery.

Incorrect assembly on the circuit board and incorrect plugging of connecting elements is no longer possible. The advantage: no troubleshooting during manufacture and no operational errors by the user.

### General ordering data

| Type       | BLZ/SL KO BK BX            | Version  | Product data | Packaging |
|------------|----------------------------|--|--------------|-----------|
| Order No.  | <a href="#">1545710000</a> | PCB plug-in connector, Accessories, Coding element, black, Number  |              | Box       |
| GTIN (EAN) | 4008190087142              | of poles: 1  |              |           |
| Qty.       | 50 pc(s).                  |  |              |           |
| Type       | BLZ/SL KO OR BX            | Version  | Product data | Packaging |
| Order No.  | <a href="#">1573010000</a> | PCB plug-in connector, Accessories, Coding element, orange, Number |              | Box       |
| GTIN (EAN) | 4008190048396              | of poles: 1  |              |           |
| Qty.       | 100 pc(s).                 |  |              |           |

## Slotted screwdriver

Slotted screwdriver with rounded blade SD DIN 5265, ISO 2380/2, output to DIN 5264, ISO 2380/1. ChromTop tip, SoftFinish grip



### General ordering data

| Type       | SDS 0.6X3.5X200            | Version   |
|------------|----------------------------|---|
| Order No.  | <a href="#">9010110000</a> | Screwdriver, Blade width (B): 3.5 mm, Blade length: 200 mm, Blade thickness (A): 0.6 mm |
| GTIN (EAN) | 4032248300754              |   |
| Qty.       | 1 pc(s).                   |   |
| Type       | SDS 0.6X3.5X100            | Version   |
| Order No.  | <a href="#">9008330000</a> | Screwdriver, Blade width (B): 3.5 mm, Blade length: 100 mm, Blade thickness (A): 0.6 mm |
| GTIN (EAN) | 4032248056286              |   |
| Qty.       | 1 pc(s).                   |   |

**Data sheet****OMNIMATE Signal - series BL/SL 5.08  
BLF 5.08HC/15/270 SN OR BX**

**Weidmüller Interface GmbH & Co. KG**  
Klingenbergstraße 26  
D-32758 Detmold  
Germany  
Fon: +49 5231 14-0  
Fax: +49 5231 14-292083  
www.weidmueller.com

**Accessories****Slotted screwdriver**

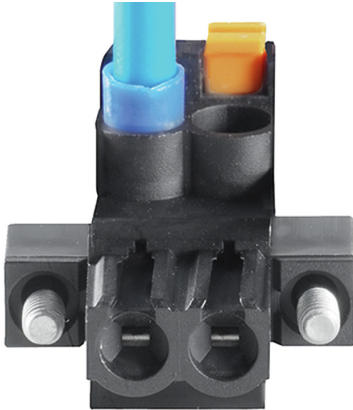
VDE insulated slot-head screwdriver, SDI DIN 7437, ISO 2380/2, drive output acc. to DIN 5264, ISO 2380/1. SoftFinish grip

**General ordering data**

|            |                            |   |
|------------|----------------------------|---|
| Type       | SDIS 0.6X3.5X100           | Version   |
| Order No.  | <a href="#">9008390000</a> | Screwdriver, Blade width (B): 3.5 mm, Blade length: 100 mm, Blade |
| GTIN (EAN) | 4032248056354              | thickness (A): 0.6 mm   |
| Qty.       | 1 pc(s).                   |   |

**Data sheet****OMNIMATE Signal - series BL/SL 5.08  
BLF 5.08HC/15/270 SN OR BX**

**Weidmüller Interface GmbH & Co. KG**  
Klingenbergstraße 26  
D-32758 Detmold  
Germany  
Fon: +49 5231 14-0  
Fax: +49 5231 14-292083  
[www.weidmueller.com](http://www.weidmueller.com)

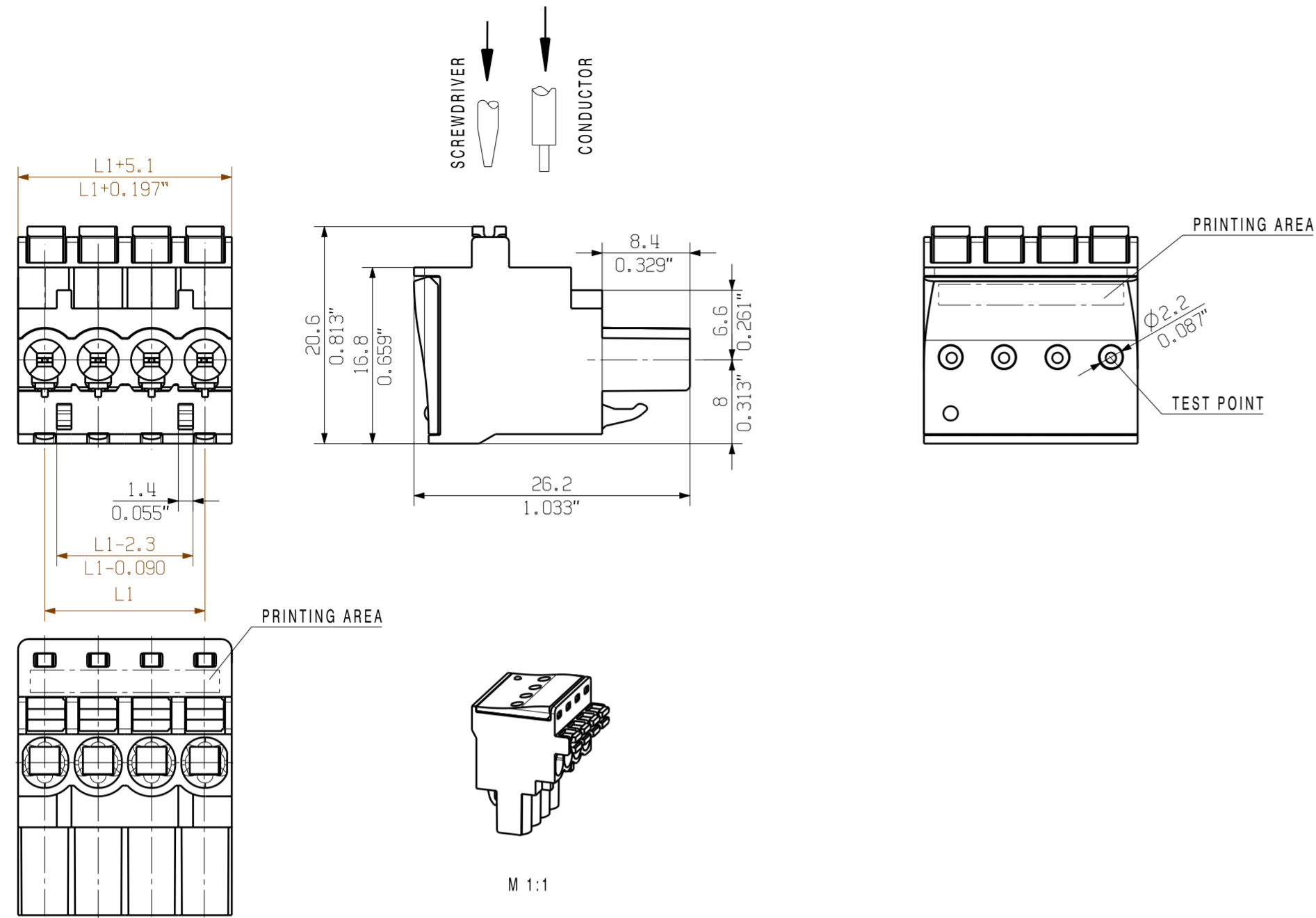
**Drawings****Product benefits**

Wide clamping range  
Tool-free wire connection

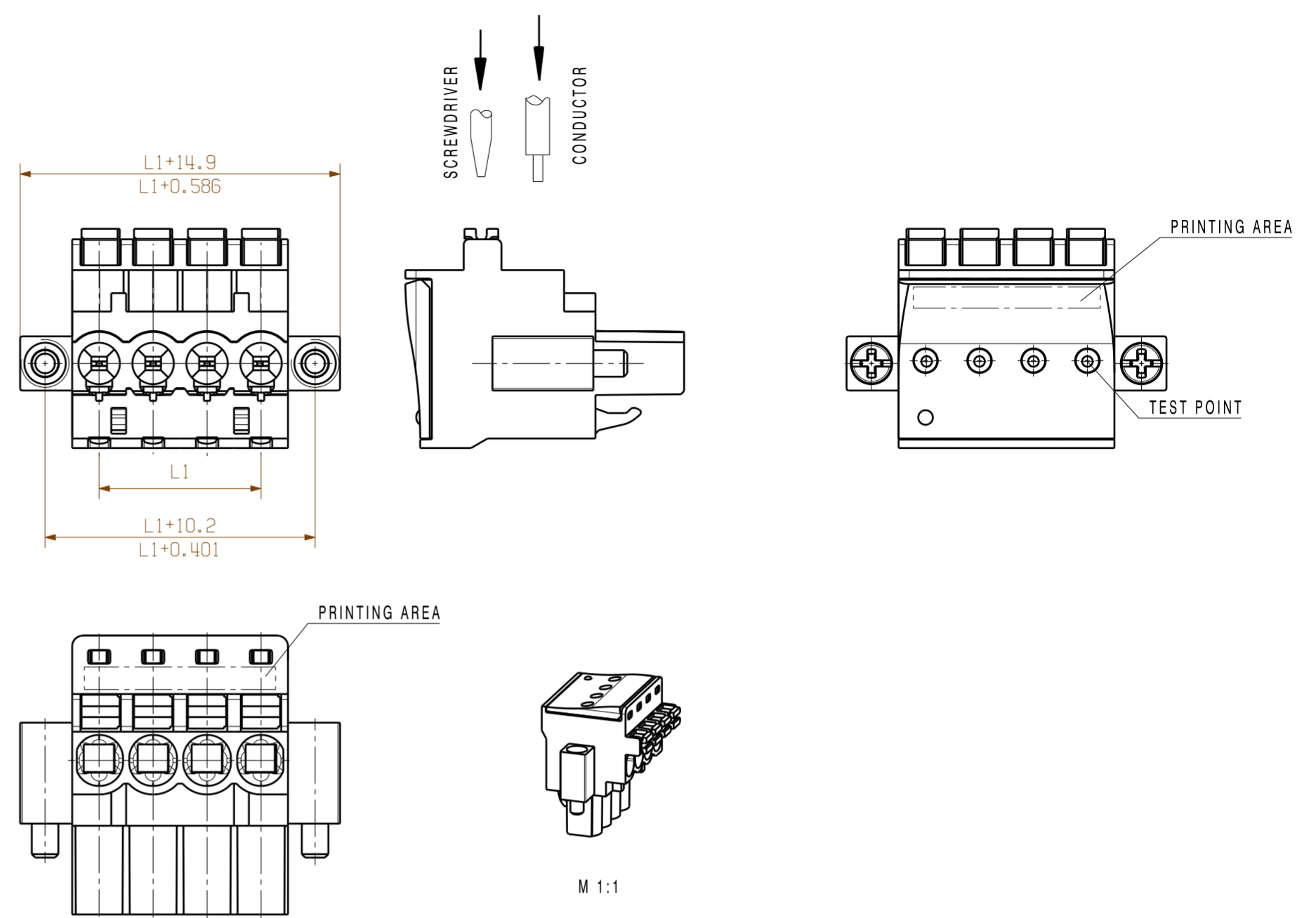
MASSE OHNE TOLERANZ SIND KEINE PRUEFMASSE  
 DIMS. WITHOUT TOLERANCE ARE NOT CONTROL DIMS.

DIE DEUTSCHE VERSION IST VERBINDLICH  
 THE GERMAN VERSION IS BINDING

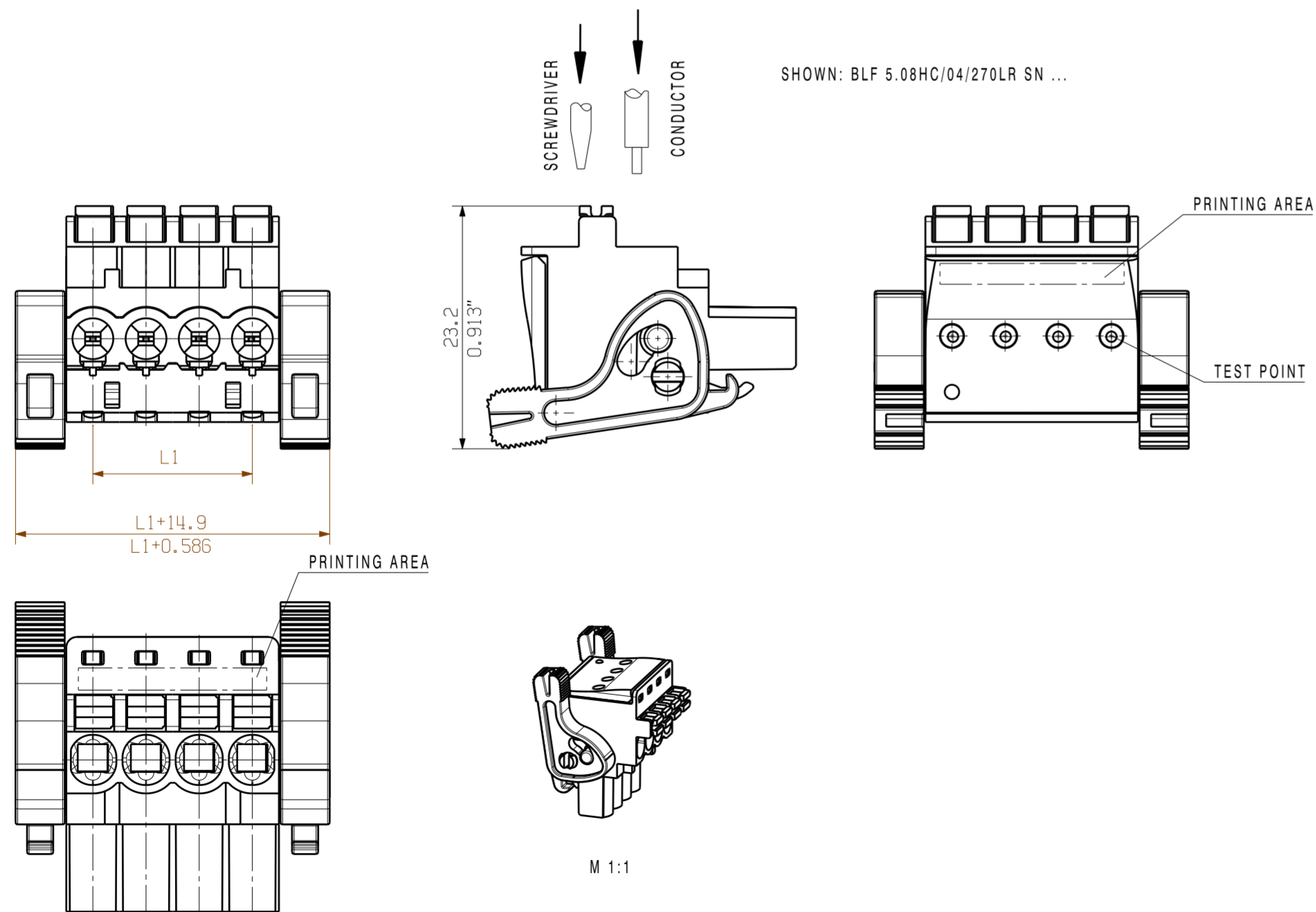
SHOWN: BLF 5.08HC/04/270G SN ...



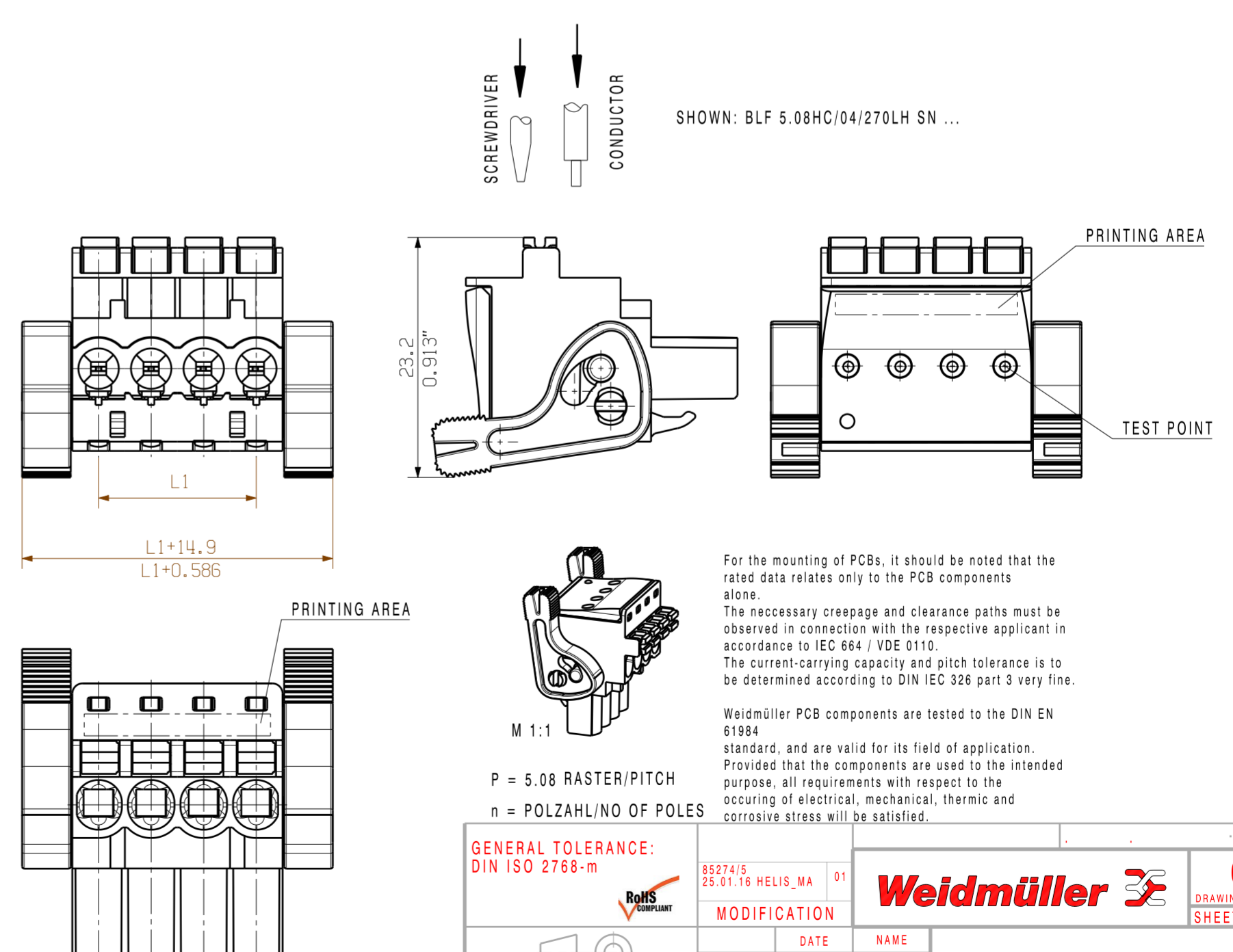
SHOWN: BLF 5.08HC/04/270F SN ...



SHOWN: BLF 5.08HC/04/270LR SN ...



SHOWN: BLF 5.08HC/04/270LH SN ...



For the mounting of PCBs, it should be noted that the rated data relates only to the PCB components alone.  
 The necessary creepage and clearance paths must be observed in connection with the respective applicant in accordance to IEC 664 / VDE 0110.  
 The current-carrying capacity and pitch tolerance is to be determined according to DIN IEC 326 part 3 very fine.  
 Weidmüller PCB components are tested to the DIN EN 61984 standard, and are valid for its field of application. Provided that the components are used to the intended purpose, all requirements with respect to the occurring electrical, mechanical, thermic and corrosive stress will be satisfied.

|    |       |        |
|----|-------|--------|
| 20 | 96.52 | 3.803  |
| 19 | 91.44 | 3.603  |
| 18 | 86.36 | 3.403  |
| 17 | 81.28 | 3.202  |
| 16 | 76.2  | 3.002  |
| 15 | 71.12 | 2.802  |
| 14 | 66.04 | 2.602  |
| 13 | 60.96 | 2.402  |
| 12 | 55.88 | 2.202  |
| 11 | 50.8  | 2.002  |
| 10 | 45.72 | 1.801  |
| 9  | 40.64 | 1.601  |
| 8  | 35.56 | 1.401  |
| 7  | 30.48 | 1.201  |
| 6  | 25.4  | 1.001  |
| 5  | 20.32 | 0.801  |
| 4  | 15.24 | 0.600  |
| 3  | 10.16 | 0.400  |
| 2  | 5.08  | 0.200  |
| n  | L1    | L1     |
|    | [mm]  | [Inch] |

GENERAL TOLERANCE:  
 DIN ISO 2768-m  
 RoHS COMPLIANT  
 SCALE: 2/1  
 SUPERSEDES: .

89274/5  
 29.01.16 HELIS\_MA 01  
 MODIFICATION  
 DATE NAME  
 DRAWN 27.11.2008 POCTA\_C  
 RESPONSIBLE HERTEL\_S  
 CHECKED 27.01.2016 HELIS\_MA  
 APPROVED LANG\_T

CAT.NO.:  
**C 44258 05**  
 DRAWING NO. SHEET 01 OF 01 SHEETS  
**Weidmüller**  
**BLF 5.08HC/././270...SN...**  
 BUCHSENLEISTE  
 SOCKET BLOCK  
 PRODUCT FILE: BLF 5.08 7379

WEITERGABE SOWIE Vervielfaeltigung dieses Dokuments, Verwertung und Mitteilung seines Inhalts sind verboten, soweit nicht ausdrücklich gestattet.  
 ZUMIEDERNEHMUNG VERPFLICHTET ZU SCHADENSERSATZ ALLE RECHTE FÜR DEN FALL DER PATENT-, GEBRAUCHSMUSTER-, ODER GESCHMACKSMUSTERRECHTUNG VORBEHALTEN.  
 THE REPRODUCTION, DISTRIBUTION AND UTILIZATION OF THIS DOCUMENT AS WELL AS THE COMMUNICATION OF ITS CONTENTS TO OTHERS WITHOUT EXPLICIT AUTHORIZATION IS PROHIBITED.  
 OFFENDERS WILL BE HELD LIABLE FOR THE PAYMENT OF DAMAGES. WEIDMÜLLER EXCLUSIVELY RESERVES THE RIGHT TO FILE FOR PATENTS, UTILITY MODELS OR DESIGNS.  
 © WEIDMÜLLER INTERFACE GmbH & Co.KG