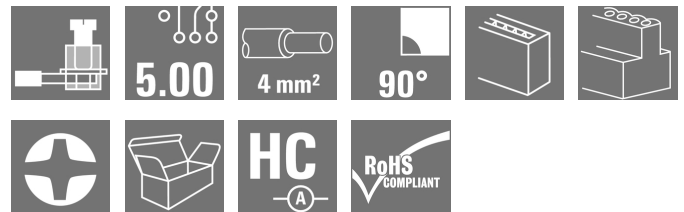


OMNIMATE Signal - series BL/SL 5.00 BLZP 5.00HC/12/90 SN BK BX

Weidmüller Interface GmbH & Co. KG
Klingenbergstraße 26
D-32758 Detmold
Germany
Fon: +49 5231 14-0
Fax: +49 5231 14-292083
www.weidmueller.com

Product image



Similar to illustration

Female plugs with clamping-yoke connection for connecting wires with a right-angle (90° or 270°) outlet direction. The female connectors provide space for labelling and can be coded. Fastened by means of a flange or release latch. They also provide an integrated plus/minus screw, protection against faulty insertion of the wire, and they are delivered with open clamping yokes. HC = High Current.

General ordering data

| | |
|--------------|--|
| Type | BLZP 5.00HC/12/90 SN BK BX |
| Order No. | 1958550000 |
| Version | PCB plug-in connector, female plug, 5.00 mm, Number of poles: 12, 90°, Clamping yoke connection, Clamping range, max. : 4 mm², Box |
| GTIN (EAN) | 4032248637294 |
| Qty. | 30 pc(s). |
| Product data | IEC: 400 V / 23 A / 0.2 - 4 mm² UL: 300 V / 20 A / AWG 26 - AWG 12 |
| Packaging | Box |

Creation date May 3, 2020 6:54:37 AM CEST

OMNIMATE Signal - series BL/SL 5.00
BLZP 5.00HC/12/90 SN BK BX

Weidmüller Interface GmbH & Co. KG
 Klingenbergstraße 26
 D-32758 Detmold
 Germany
 Fon: +49 5231 14-0
 Fax: +49 5231 14-292083
 www.weidmueller.com

Technical data**Dimensions and weights**

| | | | |
|------------|----------|-----------------|------------|
| Width | 60 mm | Width (inches) | 2.362 inch |
| Height | 14.1 mm | Height (inches) | 0.555 inch |
| Depth | 27.2 mm | Depth (inches) | 1.071 inch |
| Net weight | 23.533 g | | |

System Parameters

| | | | |
|--|--|----------------------------|-----------------------|
| Product family | OMNIMATE Signal - series BL/SL 5.00 | Type of connection | Field connection |
| Wire connection method | Clamping yoke connection | Pitch in mm (P) | 5 mm |
| Pitch in inches (P) | 0.197 inch | Conductor outlet direction | 90° |
| Number of poles | 12 | L1 in mm | 55 mm |
| L1 in inches | 2.167 inch | Number of rows | 1 |
| Pin series quantity | 1 | Rated cross-section | 4 mm ² |
| Touch-safe protection acc. to DIN VDE 57 106 | Safe from finger touch | Volume resistance | ≤ 5mΩ |
| Can be coded | Yes | Stripping length | 7 mm |
| Tightening torque, min. | 0.4 Nm | Tightening torque, max. | 0.5 Nm |
| Clamping screw | M 2.5 | Screwdriver blade | 0.6 x 3.5, PH 1, PZ 1 |
| Screwdriver blade standard | DIN 5264, ISO 8764/2-PH, ISO 8764/2-PZ | Plugging cycles | 25 |
| Plugging force/pole, max. | 10 N | Pulling force/pole, max. | 9 N |

Material data

| | | | |
|---------------------------------------|--------------------------|---------------------------------------|---------------------|
| Insulating material | PBT | Colour | black |
| Colour chart (similar) | RAL 9011 | Insulating material group | Illa |
| Comparative Tracking Index (CTI) | ≥ 200 | Insulation strength | ≥ 10 ⁸ Ω |
| UL 94 flammability rating | V-0 | GWFI | 960 °C |
| Contact material | Copper alloy | Contact surface | tinned |
| Layer structure of plug contact | 4-8 μm Sn hot-dip tinned | Storage temperature, min. | -25 °C |
| Storage temperature, max. | 50 °C | Max. relative humidity during storage | 70 % |
| Operating temperature, min. | -50 °C | Operating temperature, max. | 100 °C |
| Temperature range, installation, min. | -25 °C | Temperature range, installation, max. | 100 °C |

Conductors suitable for connection

| | |
|---|----------------------|
| Clamping range, min. | 0.13 mm ² |
| Clamping range, max. | 4 mm ² |
| Wire connection cross section AWG, min. | AWG 30 |
| Wire connection cross section AWG, max. | AWG 12 |
| Solid, min. H05(07) V-U | 0.2 mm ² |
| Solid, max. H05(07) V-U | 4 mm ² |
| Flexible, min. H05(07) V-K | 0.2 mm ² |
| Flexible, max. H05(07) V-K | 4 mm ² |
| w. plastic collar ferrule, DIN 46228 pt 4, 0.2 mm ² min. | |
| w. plastic collar ferrule, DIN 46228 pt 4, 2.5 mm ² max. | |
| w. wire end ferrule, DIN 46228 pt 1, min. | 0.2 mm ² |
| w. wire end ferrule, DIN 46228 pt 1, max. | 4 mm ² |

Creation date May 3, 2020 6:54:37 AM CEST

OMNIMATE Signal - series BL/SL 5.00 BLZP 5.00HC/12/90 SN BK BX

Weidmüller Interface GmbH & Co. KG
Klingenbergstraße 26
D-32758 Detmold
Germany
Fon: +49 5231 14-0
Fax: +49 5231 14-292083
www.weidmueller.com

Technical data

Plug gauge in accordance with EN 60999 a x b; ø 2.8 mm x 2.4 mm

| | | | |
|---------------------|--|------------------------------|-------------------------|
| Clampable conductor | Cross-section for conductor connection | Type | fine-wired |
| | | nominal | 0.5 mm ² |
| wire end ferrule | | Stripping length | nominal 6 mm |
| | | Recommended wire-end ferrule | H0.5/6 |
| Clampable conductor | Cross-section for conductor connection | Type | fine-wired |
| | | nominal | 1 mm ² |
| wire end ferrule | | Stripping length | nominal 6 mm |
| | | Recommended wire-end ferrule | H1.0/6 |
| Clampable conductor | Cross-section for conductor connection | Type | fine-wired |
| | | nominal | 1.5 mm ² |
| wire end ferrule | | Stripping length | nominal 7 mm |
| | | Recommended wire-end ferrule | H1.5/7 |
| Clampable conductor | Cross-section for conductor connection | Type | fine-wired |
| | | nominal | 2.5 mm ² |
| wire end ferrule | | Stripping length | nominal 7 mm |
| | | Recommended wire-end ferrule | H2.5/7 |
| Clampable conductor | Cross-section for conductor connection | Type | fine-wired |
| | | nominal | 0.75 mm ² |
| wire end ferrule | | Stripping length | nominal 6 mm |
| | | Recommended wire-end ferrule | H0.75/6 |


Reference text The outside diameter of the plastic collar should not be larger than the pitch (P). Length of ferrules is to be chosen depending on the product and the rated voltage.

Max. clamping range 4 mm²

Rated data acc. to IEC

| | | | |
|---|------------------------|---|-------------------|
| tested acc. to standard | IEC 60664-1, IEC 61984 | Rated current, min. number of poles (Tu=20°C) | 23 A |
| Rated current, max. number of poles (Tu=20°C) | 18 A | Rated current, min. number of poles (Tu=40°C) | 21 A |
| Rated current, max. number of poles (Tu=40°C) | 16 A | Rated voltage for surge voltage class / pollution degree II/2 | 400 V |
| Rated voltage for surge voltage class / pollution degree III/2 | 320 V | Rated voltage for surge voltage class / pollution degree III/3 | 250 V |
| Rated impulse voltage for surge voltage class/ pollution degree II/2 | 4 kV | Rated impulse voltage for surge voltage class/ pollution degree III/2 | 4 kV |
| Rated impulse voltage for surge voltage class/ contamination degree III/3 | 4 kV | Short-time withstand current resistance | 3 x 1s with 120 A |

Rated data acc. to CSA

| | | | |
|-----------------------------------|---|-----------------------------------|--|
| Institute (CSA) |  | Certificate No. (CSA) | 200039-1121690 |
| Rated voltage (Use group B / CSA) | 300 V | Rated voltage (Use group C / CSA) | 50 V |
| Rated voltage (Use group D / CSA) | 300 V | Rated current (Use group B / CSA) | 20 A |
| Rated current (Use group D / CSA) | 20 A | Wire cross-section, AWG, min. | AWG 30 |
| Wire cross-section, AWG, max. | AWG 12 | Reference to approval values | Specifications are maximum values, details - see approval certificate. |

Data sheet

**OMNIMATE Signal - series BL/SL 5.00
BLZP 5.00HC/12/90 SN BK BX**

Weidmüller Interface GmbH & Co. KG
Klingenbergstraße 26
D-32758 Detmold
Germany
Fon: +49 5231 14-0
Fax: +49 5231 14-292083
www.weidmueller.com

Technical data

Rated data acc. to UL 1059

Institute (cURus)



Certificate No. (cURus)

E60693

| | | | |
|---------------------------------------|--|---------------------------------------|--------|
| Rated voltage (Use group B / UL 1059) | 300 V | Rated voltage (Use group D / UL 1059) | 300 V |
| Rated current (Use group B / UL 1059) | 20 A | Rated current (Use group D / UL 1059) | 10 A |
| Wire cross-section, AWG, min. | AWG 26 | Wire cross-section, AWG, max. | AWG 12 |
| Reference to approval values | Specifications are maximum values, details - see approval certificate. | | |

Packing

| | | | |
|-----------|--------|------------|--------|
| Packaging | Box | VPE length | 30 mm |
| VPE width | 135 mm | VPE height | 350 mm |

Classifications

| | | | |
|-------------|-------------|------------|-------------|
| ETIM 6.0 | EC002638 | ETIM 7.0 | EC002638 |
| eClass 9.0 | 27-44-03-09 | eClass 9.1 | 27-44-03-09 |
| eClass 10.0 | 27-44-03-09 | UNSPSC | 30-21-18-01 |

Notes

Notes

- Additional colours on request
- Gold-plated contact surfaces on request
- Rated current related to rated cross-section & min. No. of poles.
- Wire end ferrule without plastic collar to DIN 46228/1
- Wire end ferrule with plastic collar to DIN 46228/4
- P on drawing = pitch
- Rated data refer only to the component itself. Clearance and creepage distances to other components are to be designed in accordance with the relevant application standards.

IPC conformity

Conformity: The products are developed, manufactured and delivered according international recognized standards and norms and comply with the assured properties in the data sheet resp. fulfill decorative properties in accordance with IPC-A-610 "Class 2". Further claims on the products can be evaluated on request.

Approvals

Approvals



ROHS

Conform

Data sheet**OMNIMATE Signal - series BL/SL 5.00
BLZP 5.00HC/12/90 SN BK BX**

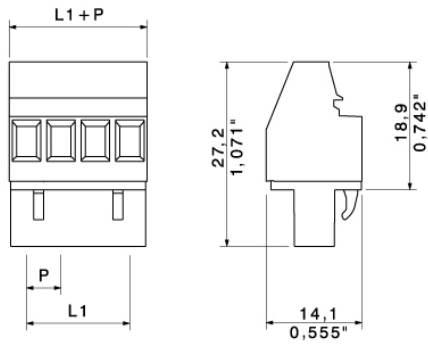
Weidmüller Interface GmbH & Co. KG
Klingenbergstraße 26
D-32758 Detmold
Germany
Fon: +49 5231 14-0
Fax: +49 5231 14-292083
www.weidmueller.com

Technical data**Downloads**

| | |
|---|---|
| Approval/Certificate/Document of Conformity | Declaration of the Manufacturer |
| Brochure/Catalogue | FL DRIVES EN MB DEVICE MANUF. EN FL DRIVES DE CAT 2 PORTFOLIOGUIDE EN FL BUILDING SAFETY EN FL APPL LED LIGHTING EN FL INDUSTR.CONTROLS EN FL MACHINE SAFETY EN FL HEATING ELECTR EN FL APPL INVERTER EN FL BASE STATION EN FL ELEVATOR EN FL POWER SUPPLY EN FL 72H SAMPLE SER EN PO OMNIMATE EN |
| Engineering Data | STEP |

**OMNIMATE Signal - series BL/SL 5.00
BLZP 5.00HC/12/90 SN BK BX**

Weidmüller Interface GmbH & Co. KG
Klingenbergstraße 26
D-32758 Detmold
Germany
Fon: +49 5231 14-0
Fax: +49 5231 14-292083
www.weidmueller.com

Drawings**Dimensional drawing**

**OMNIMATE Signal - series BL/SL 5.00
BLZP 5.00HC/12/90 SN BK BX**

Weidmüller Interface GmbH & Co. KG
Klingenbergstraße 26
D-32758 Detmold
Germany
Fon: +49 5231 14-0
Fax: +49 5231 14-292083
www.weidmueller.com

Mating connector (fully pluggable)
SL 5.00/90


Male connectors with 90° outlet direction. The solder pin length is optimised for wave flow soldering. The pin headers provide space for labelling and can be coded.

General ordering data

| Type | SL 5.00/12/90 3.2SN OR ... | Version | Product data | Packaging |
|------------|----------------------------|---|-------------------|-----------|
| Order No. | 1571110000 | PCB plug-in connector, male header, open side, THT solder | IEC: 400 V / 18 A | Box |
| GTIN (EAN) | 4008190140106 | connection, 5.00 mm, Number of poles: 12, 90°, Solder pin length (l): | UL: 300 V / 15 A | |
| Qty. | 50 pc(s). | 3.2 mm, tinned, orange, Box | | |
| Type | SL 5.00/12/90 4.5SN BK ... | Version | Product data | Packaging |
| Order No. | 1626080000 | PCB plug-in connector, male header, open side, THT solder | IEC: 400 V / 18 A | Box |
| GTIN (EAN) | 4008190197384 | connection, 5.00 mm, Number of poles: 12, 90°, Solder pin length (l): | UL: 300 V / 15 A | |
| Qty. | 50 pc(s). | 4.5 mm, tinned, black, Box | | |

SLDV-THR 5.00/180G


High-temperature resistant, double level, laterally offset, closed ended male header, with solder flange option. 1.5 mm solder pin suitable for reflow soldering. 3.2 mm solder pin suitable for reflow and wave soldering. The pin headers provide space for labelling and can be coded.

General ordering data

| Type | SLDV-THR 5.00/24/180G 1 ... | Version | Product data | Packaging |
|------------|-----------------------------|---|-------------------|-----------|
| Order No. | 1895080000 | PCB plug-in connector, male header, closed side, THT/THR solder | IEC: 400 V / 15 A | Box |
| GTIN (EAN) | 4032248509799 | connection, 5.00 mm, Number of poles: 24, 180°, Solder pin length | UL: 300 V / 10 A | |
| Qty. | 10 pc(s). | (l): 1.5 mm, tinned, black, Box | | |
| Type | SLDV-THR 5.00/24/180G 3 ... | Version | Product data | Packaging |
| Order No. | 1882760000 | PCB plug-in connector, male header, closed side, THT/THR solder | IEC: 400 V / 15 A | Box |
| GTIN (EAN) | 4032248486335 | connection, 5.00 mm, Number of poles: 24, 180°, Solder pin length | UL: 300 V / 10 A | |
| Qty. | 10 pc(s). | (l): 3.2 mm, tinned, black, Box | | |

**OMNIMATE Signal - series BL/SL 5.00
BLZP 5.00HC/12/90 SN BK BX**

Weidmüller Interface GmbH & Co. KG
Klingenbergstraße 26
D-32758 Detmold
Germany
Fon: +49 5231 14-0
Fax: +49 5231 14-292083
www.weidmueller.com

Mating connector (fully pluggable)
SL-SMT 5.00HC/180G Box


High-temperature-resistant pin header, packed in box or tape. On tape, with 1.5 mm solder pin, optimised for automatic assembly. 3.2 mm solder pin suitable for reflow and wave soldering. The pin headers provide space for labelling and can be coded. HC = High Current.

General ordering data

| Type | SL-SMT 5.00HC/12/180G 3 ... | Version | Product data | Packaging |
|------------|-----------------------------|---|---|-----------|
| Order No. | 1841260000 | PCB plug-in connector, male header, closed side, THT/THR solder connection, 5.00 mm, Number of poles: 12, 180°, Solder pin length (l): 3.2 mm, tinned, black, Box | IEC: 400 V / 27.5 A UL: 300 V / 18.5 A | Box |
| GTIN (EAN) | 4032248352166 | | | |
| Qty. | 50 pc(s). | | | |
| Type | SL-SMT 5.00/12/180G 1.5 ... | Version | Product data | Packaging |
| Order No. | 1796730000 | PCB plug-in connector, male header, closed side, THT/THR solder connection, 5.00 mm, Number of poles: 12, 180°, Solder pin length (l): 1.5 mm, tinned, black, Box | IEC: 400 V / 27.5 A UL: 300 V / 18.5 A | Box |
| GTIN (EAN) | 4032248237357 | | | |
| Qty. | 50 pc(s). | | | |

SLD 5.00/90G


2-tier male header with parallel pin arrangement. The solder pin length is optimised for wave flow soldering. The pin headers provide space for labelling and can be coded.

General ordering data

| Type | SLD 5.00/24/90G 3.2 SN ... | Version | Product data | Packaging |
|------------|----------------------------|---|---------------------------------------|-----------|
| Order No. | 1614450000 | PCB plug-in connector, male header, closed side, THT solder connection, 5.00 mm, Number of poles: 24, 90°, Solder pin length (l): 3.2 mm, tinned, orange, Box | IEC: 400 V / 11 A UL: 300 V / 10 A | Box |
| GTIN (EAN) | 4008190030780 | | | |
| Qty. | 10 pc(s). | | | |

**OMNIMATE Signal - series BL/SL 5.00
BLZP 5.00HC/12/90 SN BK BX**

Weidmüller Interface GmbH & Co. KG
Klingenbergstraße 26
D-32758 Detmold
Germany
Fon: +49 5231 14-0
Fax: +49 5231 14-292083
www.weidmueller.com

Mating connector (fully pluggable)
SL-SMT 5.00HC/180 Box


High-temperature-resistant, straight, open pin header. Packed in box or tape. On tape and with 1.5 mm solder pin, optimised for automatic assembly. 3.2 mm solder pin suitable for reflow and wave soldering. The pin headers provide space for labelling and can be coded. HC = High Current.

General ordering data

| Type | SL-SMT 5.00/12/180 1.5S ... | Version | Product data | Packaging |
|------------|-----------------------------|---|---|-----------|
| Order No. | 1796580000 | PCB plug-in connector, male header, open side, THT/THR solder connection, 5.00 mm, Number of poles: 12, 180°, Solder pin length (l): 1.5 mm, tinned, black, Box | IEC: 400 V / 27.5 A UL: 300 V / 18.5 A | Box |
| GTIN (EAN) | 4032248237104 | | | |
| Qty. | 50 pc(s). | | | |
| Type | SL-SMT 5.00HC/12/180 3. ... | Version | Product data | Packaging |
| Order No. | 1841030000 | PCB plug-in connector, male header, open side, THT/THR solder connection, 5.00 mm, Number of poles: 12, 180°, Solder pin length (l): 3.2 mm, tinned, black, Box | IEC: 400 V / 27.5 A UL: 300 V / 18.5 A | Box |
| GTIN (EAN) | 4032248351916 | | | |
| Qty. | 50 pc(s). | | | |

SL 5.00/180


Male connectors with straight outlet direction. The solder pin length is optimised for wave flow soldering. The pin headers provide space for labelling and can be coded.

General ordering data

| Type | SL 5.00/12/180 3.2SN OR ... | Version | Product data | Packaging |
|------------|-----------------------------|--|---------------------------------------|-----------|
| Order No. | 1581420000 | PCB plug-in connector, male header, open side, THT solder connection, 5.00 mm, Number of poles: 12, 180°, Solder pin length (l): 3.2 mm, tinned, orange, Box | IEC: 400 V / 18 A UL: 300 V / 15 A | Box |
| GTIN (EAN) | 4008190133863 | | | |
| Qty. | 50 pc(s). | | | |

**OMNIMATE Signal - series BL/SL 5.00
BLZP 5.00HC/12/90 SN BK BX**

Weidmüller Interface GmbH & Co. KG
Klingenbergstraße 26
D-32758 Detmold
Germany
Fon: +49 5231 14-0
Fax: +49 5231 14-292083
www.weidmueller.com

Mating connector (fully pluggable)
SL 5.00/180B


Male connectors with straight outlet direction. The solder pin length is optimised for wave flow soldering. The pin headers provide space for labelling and can be coded.

General ordering data

| Type | SL 5.00/12/180B 3.2SN O ... | Version | Product data | Packaging |
|------------|-----------------------------|--|-------------------|-----------|
| Order No. | 1581880000 | PCB plug-in connector, male header, Dovetails for fixing blocks, THT | IEC: 400 V / 18 A | Box |
| GTIN (EAN) | 4008190185947 | solder connection, 5.00 mm, Number of poles: 12, 180°, Solder pin | UL: 300 V / 15 A | |
| Qty. | 50 pc(s). | length (l): 3.2 mm, tinned, orange, Box | | |

SL 5.00/90B


Male connectors with 90° outlet direction. The solder pin length is optimised for wave flow soldering. The pin headers provide space for labelling and can be coded.

General ordering data

| Type | SL 5.00/12/90B 3.2SN OR ... | Version | Product data | Packaging |
|------------|-----------------------------|--|-------------------|-----------|
| Order No. | 1580960000 | PCB plug-in connector, male header, Dovetails for fixing blocks, THT | IEC: 400 V / 18 A | Box |
| GTIN (EAN) | 4008190071851 | solder connection, 5.00 mm, Number of poles: 12, 90°, Solder pin | UL: 300 V / 15 A | |
| Qty. | 50 pc(s). | length (l): 3.2 mm, tinned, orange, Box | | |

**OMNIMATE Signal - series BL/SL 5.00
BLZP 5.00HC/12/90 SN BK BX**

Weidmüller Interface GmbH & Co. KG
Klingenbergstraße 26
D-32758 Detmold
Germany
Fon: +49 5231 14-0
Fax: +49 5231 14-292083
www.weidmuller.com

Mating connector (fully pluggable)
SL 5.00/135


Male connectors with 135° outlet direction. The solder pin length is optimised for wave flow soldering. The pin headers provide space for labelling and can be coded.

General ordering data

| Type | SL 5.00/12/135 3.2SN OR ... | Version | Product data | Packaging |
|------------|-----------------------------|---|-------------------|-----------|
| Order No. | 1630350000 | PCB plug-in connector, male header, open side, THT solder | IEC: 400 V / 17 A | Box |
| GTIN (EAN) | 4008190203771 | connection, 5.00 mm, Number of poles: 12, 135°, Solder pin length | UL: 300 V / 15 A | |
| Qty. | 50 pc(s). | (l): 3.2 mm, tinned, orange, Box | | |

SL 5.00/135B


Male connectors with 135° outlet direction. The solder pin length is optimised for wave flow soldering. The pin headers provide space for labelling and can be coded.

General ordering data

| Type | SL 5.00/12/135B 3.2SN O ... | Version | Product data | Packaging |
|------------|-----------------------------|--|-------------------|-----------|
| Order No. | 1630580000 | PCB plug-in connector, male header, Dovetails for fixing blocks, THT | IEC: 400 V / 17 A | Box |
| GTIN (EAN) | 4008190204006 | solder connection, 5.00 mm, Number of poles: 12, 135°, Solder pin | UL: 300 V / 15 A | |
| Qty. | 50 pc(s). | length (l): 3.2 mm, tinned, orange, Box | | |

**OMNIMATE Signal - series BL/SL 5.00
BLZP 5.00HC/12/90 SN BK BX**

Weidmüller Interface GmbH & Co. KG
Klingenbergstraße 26
D-32758 Detmold
Germany
Fon: +49 5231 14-0
Fax: +49 5231 14-292083
www.weidmueller.com

Mating connector (fully pluggable)
SLD 5.00/180G


2-tier male header with parallel pin arrangement. The solder pin length is optimised for wave flow soldering. The pin headers provide space for labelling and can be coded.

General ordering data

| Type | SLD 5.00/24/180G 3.2SN ... | Version | Product data | Packaging |
|------------|----------------------------|---|-------------------|-----------|
| Order No. | 1614910000 | PCB plug-in connector, male header, closed side, THT solder | IEC: 400 V / 11 A | Box |
| GTIN (EAN) | 4008190040222 | connection, 5.00 mm, Number of poles: 24, 180°, Solder pin length | UL: 300 V / 10 A | |
| Qty. | 10 pc(s). | (I): 3.2 mm, tinned, orange, Box | | |

SL-SMT 5.00HC/90 Box


High-temperature-resistant, 90° angled, open male header. Packed in box or tape. On tape, with 1.5 mm solder pin, optimised for automatic assembly. 3.2 mm solder pin suitable for reflow and wave soldering. The pin headers provide space for labelling and can be coded. HC = High Current.

General ordering data

| Type | SL-SMT 5.00HC/12/90 3.2 ... | Version | Product data | Packaging |
|------------|-----------------------------|---|---------------------|-----------|
| Order No. | 1839990000 | PCB plug-in connector, male header, open side, THT/THR solder | IEC: 400 V / 27.5 A | Box |
| GTIN (EAN) | 4032248350735 | connection, 5.00 mm, Number of poles: 12, 90°, Solder pin length (I): | UL: 300 V / 18.5 A | |
| Qty. | 50 pc(s). | 3.2 mm, tinned, black, Box | | |
| Type | SL-SMT 5.00/12/90 1.5SN ... | Version | Product data | Packaging |
| Order No. | 1797030000 | PCB plug-in connector, male header, open side, THT/THR solder | IEC: 400 V / 27.5 A | Box |
| GTIN (EAN) | 4032248237814 | connection, 5.00 mm, Number of poles: 12, 90°, Solder pin length (I): | UL: 300 V / 18.5 A | |
| Qty. | 50 pc(s). | 1.5 mm, tinned, black, Box | | |

**OMNIMATE Signal - series BL/SL 5.00
BLZP 5.00HC/12/90 SN BK BX**

Weidmüller Interface GmbH & Co. KG
Klingenbergstraße 26
D-32758 Detmold
Germany
Fon: +49 5231 14-0
Fax: +49 5231 14-292083
www.weidmueller.com

Mating connector (fully pluggable)
SL-SMT 5.00HC/90G Box


High-temperature-resistant pin header, packed in box or tape. On tape, with 1.5 mm solder pin, optimised for automatic assembly. 3.2 mm solder pin suitable for reflow and wave soldering. The pin headers provide space for labelling and can be coded. HC = High Current.

General ordering data

| Type | SL-SMT 5.00/12/90G 1.5S ... | Version | Product data | Packaging |
|------------|-----------------------------|--|---|-----------|
| Order No. | 1797180000 | PCB plug-in connector, male header, closed side, THT/THR solder connection, 5.00 mm, Number of poles: 12, 90°, Solder pin length (l): 1.5 mm, tinned, black, Box | IEC: 400 V / 27.5 A UL: 300 V / 18.5 A | Box |
| GTIN (EAN) | 4032248237968 | | | |
| Qty. | 50 pc(s). | | | |
| Type | SL-SMT 5.00HC/12/90G 3. ... | Version | Product data | Packaging |
| Order No. | 1840220000 | PCB plug-in connector, male header, closed side, THT/THR solder connection, 5.00 mm, Number of poles: 12, 90°, Solder pin length (l): 3.2 mm, tinned, black, Box | IEC: 400 V / 27.5 A UL: 300 V / 18.5 A | Box |
| GTIN (EAN) | 4032248350964 | | | |
| Qty. | 50 pc(s). | | | |

OMNIMATE Signal - series BL/SL 5.00 BLZP 5.00HC/12/90 SN BK BX

Weidmüller Interface GmbH & Co. KG
 Klingenbergstraße 26
 D-32758 Detmold
 Germany
 Fon: +49 5231 14-0
 Fax: +49 5231 14-292083
 www.weidmueller.com

Accessories

Strain reliefs



For frequent load changes: the "trailer coupling" for plug-in connectors.

The strain relief can do more than just relieve the strain on conductors:

Simply clip onto the plug and

- bundle conductors
- guide cables
- use as a connection and disconnection aid

No damage to the connecting points, clear, tidy wiring and easy to handle.

User advantages: permanent heavy-duty connections for harsh industrial environments and convenient operation ensure improved system availability.

General ordering data

| Type | BLZ 5.00 ZE04 OR BX | Version | Product data | Packaging |
|------------|----------------------------|---|--------------|-----------|
| Order No. | 1652100000 | PCB plug-in connector, Accessories, Strain relief, orange, Number of poles: 4 | | Box |
| GTIN (EAN) | 4008190401771 | | | |
| Qty. | 50 pc(s). | | | |
| Type | BLZ 5.00 ZE08 OR BX | Version | Product data | Packaging |
| Order No. | 1652040000 | PCB plug-in connector, Accessories, Strain relief, orange, Number of poles: 8 | | Box |
| GTIN (EAN) | 4008190401719 | | | |
| Qty. | 50 pc(s). | | | |

Crosshead screwdriver Phillips

Crosshead screwdriver, Phillips, SDK PH DIN 5262, ISO 8764/2-PH, output to ISO 8764-PH, ChromTop tip, SoftFinish grip



General ordering data

| Type | SDK PH1 | Version |
|------------|----------------------------|---|
| Order No. | 9008480000 | Screwdriver, Blade width (B): 4.5 mm, Blade length: 80 mm |
| GTIN (EAN) | 4032248056477 | |
| Qty. | 1 pc(s). | |

OMNIMATE Signal - series BL/SL 5.00 BLZP 5.00HC/12/90 SN BK BX

Weidmüller Interface GmbH & Co. KG
 Klingenbergstraße 26
 D-32758 Detmold
 Germany
 Fon: +49 5231 14-0
 Fax: +49 5231 14-292083
 www.weidmueller.com

Accessories

Coding elements



Only connects what is supposed to be connected: the right connection at the right place.

Coding elements and locking devices clearly assign connecting elements during the manufacturing process and operation

The coding elements and locking devices are inserted prior to assembly or during the cable assembly phase. The Weidmüller alternative: configure online using the variant configurator to precode prior to delivery.

Incorrect assembly on the circuit board and incorrect plugging of connecting elements is no longer possible. The advantage: no troubleshooting during manufacture and no operational errors by the user.

General ordering data

| Type | BLZ/SL KO BK BX | Version | Product data | Packaging |
|------------|----------------------------|--|--------------|-----------|
| Order No. | 1545710000 | PCB plug-in connector, Accessories, Coding element, black, Number | | Box |
| GTIN (EAN) | 4008190087142 | of poles: 1 | | |
| Qty. | 50 pc(s). | | | |
| Type | BLZ/SL KO OR BX | Version | Product data | Packaging |
| Order No. | 1573010000 | PCB plug-in connector, Accessories, Coding element, orange, Number | | Box |
| GTIN (EAN) | 4008190048396 | of poles: 1 | | |
| Qty. | 100 pc(s). | | | |

Crosshead screwdriver Pozidriv

Crosshead screwdriver, Pozidriv, SDK PZ DIN 5262, ISO 8764/2-PZ, output to ISO 8764/1-PZ, ChromTop tip, SoftFinish grip



General ordering data

| Type | SDK PZ1 | Version |
|------------|----------------------------|---|
| Order No. | 9008530000 | Screwdriver, Blade width (B): 4.5 mm, Blade length: 80 mm |
| GTIN (EAN) | 4032248056521 | |
| Qty. | 1 pc(s). | |

Data sheet

OMNIMATE Signal - series BL/SL 5.00 BLZP 5.00HC/12/90 SN BK BX

Weidmüller Interface GmbH & Co. KG
 Klingenbergstraße 26
 D-32758 Detmold
 Germany
 Fon: +49 5231 14-0
 Fax: +49 5231 14-292083
 www.weidmueller.com

Accessories

Slotted screwdriver

Slotted screwdriver with rounded blade SD DIN 5265, ISO 2380/2, output to DIN 5264, ISO 2380/1. ChromTop tip, SoftFinish grip



General ordering data

| Type | SDS 0.6X3.5X100 | Version |
|------------|----------------------------|---|
| Order No. | 9008330000 | Screwdriver, Blade width (B): 3.5 mm, Blade length: 100 mm, Blade thickness (A): 0.6 mm |
| GTIN (EAN) | 4032248056286 | |
| Qty. | 1 pc(s). | |

Slotted screwdriver

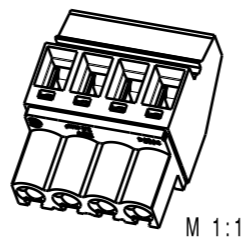
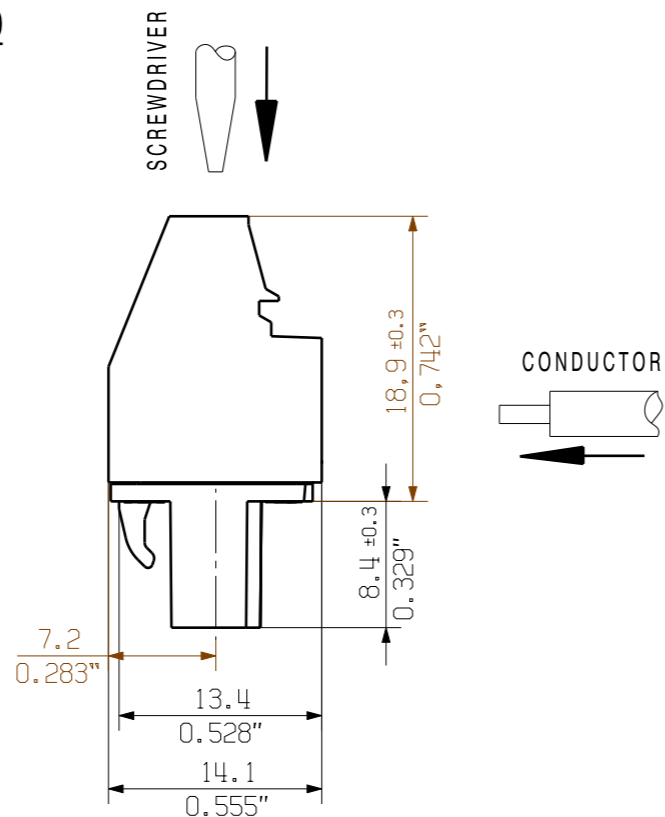
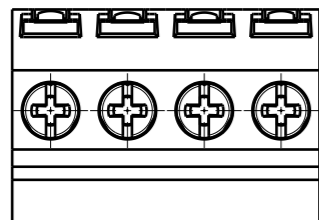
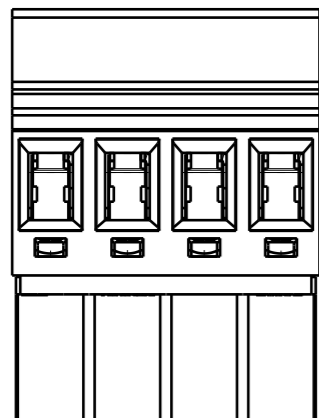
VDE insulated slot-head screwdriver, SDI DIN 7437, ISO 2380/2, drive output acc. to DIN 5264, ISO 2380/1. SoftFinish grip



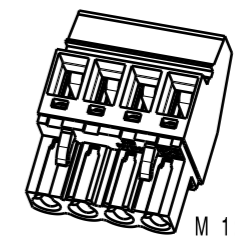
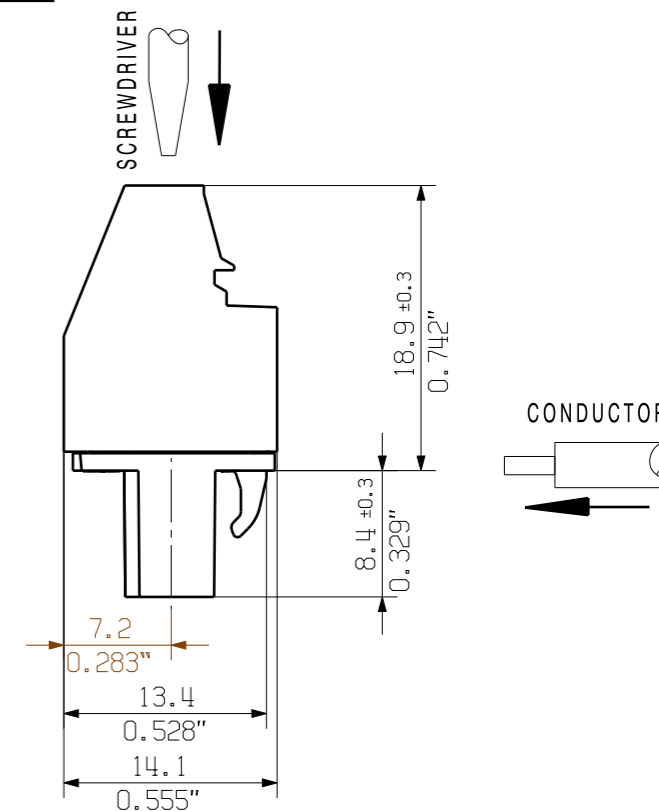
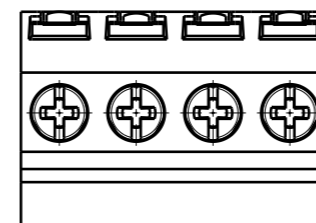
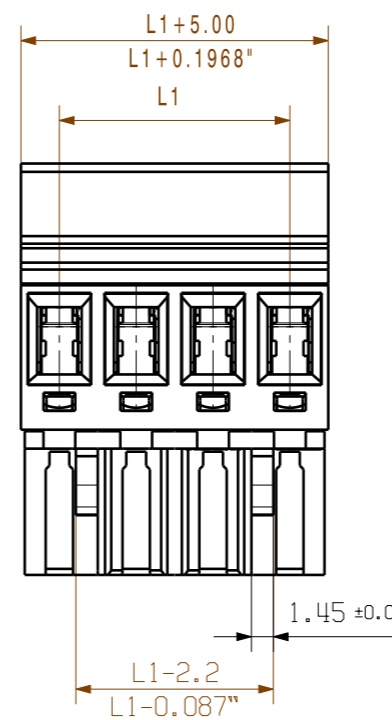
General ordering data

| Type | SDIS 0.6X3.5X100 | Version |
|------------|----------------------------|---|
| Order No. | 9008390000 | Screwdriver, Blade width (B): 3.5 mm, Blade length: 100 mm, Blade thickness (A): 0.6 mm |
| GTIN (EAN) | 4032248056354 | |
| Qty. | 1 pc(s). | |

BLZP 5.00HC/04/270



BLZP 5.00HC/04/90



| | | |
|----|---------|-----------|
| 24 | 115,00 | 4,53 |
| 23 | 110,00 | 4,33 |
| 22 | 105,00 | 4,13 |
| 21 | 100,00 | 3,94 |
| 20 | 95,00 | 3,74 |
| 19 | 90,00 | 3,54 |
| 18 | 85,00 | 3,35 |
| 17 | 80,00 | 3,15 |
| 16 | 75,00 | 2,95 |
| 15 | 70,00 | 2,76 |
| 14 | 65,00 | 2,56 |
| 13 | 60,00 | 2,36 |
| 12 | 55,00 | 2,17 |
| 11 | 50,00 | 1,97 |
| 10 | 45,00 | 1,77 |
| 9 | 40,00 | 1,57 |
| 8 | 35,00 | 1,38 |
| 7 | 30,00 | 1,18 |
| 6 | 25,00 | 0,98 |
| 5 | 20,00 | 0,79 |
| 4 | 15,00 | 0,59 |
| 3 | 10,00 | 0,39 |
| 2 | 5,00 | 0,20 |
| n | L1 [mm] | L1 [inch] |

For the mounting of PCBs, it should be noted that the rated data given in the catalogue relates only to the connection elements. The necessary creepage and clearance paths must be observed in connection with the respective applicant in accordance to VDE 0110. The current-carrying capacity and pitch tolerance is to be determined according to DIN IEC 326 part 3 very fine.

Weidmüller connectors are tested to the DIN VDE 0627 standard, and are valid for its field of application. Provided that the connectors are used to the intended purpose, all requirements with respect to the occurring of electrical, mechanical, thermic and corrosive stress will be satisfied.

SHOWN: BLZP 5.00HC/04/90
BLZP 5.00HC/04/270

P = 5.00 RASTER/PITCH

n = POLZAHL/NO OF POLES

| | | | | | |
|---|--|---------------------------------|------------|--|-----------------------|
| GENERAL TOLERANCE: DIN ISO 2768-m | | 99339/0 19.02.18 HERTEL_S 01 | | Cat.no.: . | |
| | | Modification | | Weidmüller | |
| | | Date | Name | 3 42481 06 | |
| Scale: 2:1 | | Drawn | 19.02.2018 | HERTEL_S | Drawing no. Issue no. |
| Supersedes: . | | Responsible | | HERTEL_S | Sheet 01 of 04 sheets |
| | | Checked | 26.02.2018 | HELIS_MA | |
| | | Approved | | LANG_T | |
| | | | | BLZP 5.00HC/././90/270 BUCHSENLEISTE SOCKET BLOCK | |
| | | | | Product file: BLZP 5.0X WG 7157 | |