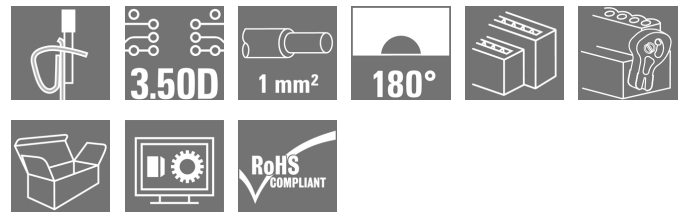


## OMNIMATE Signal - series B2L/S2L 3.50 - 2-row B2L 3.50/06/180LHQV3 SN BK BX

**Weidmüller Interface GmbH & Co. KG**  
Klingenbergstraße 26  
D-32758 Detmold  
Germany  
Fon: +49 5231 14-0  
Fax: +49 5231 14-292083  
www.weidmueller.com

### Product image



Similar to illustration

Female connector with integral cross-connection and clear printing for uninterrupted relaying of potential at full current-carrying capacity with the maximum cable cross-section. The cross-connection is positioned vertically between the poles of rows directly on top of each other. Conductor connection with tension clamp system with straight outlet and 3.5 mm pitch. Flange and release lever available. Packed in cardboard box.

### General ordering data

Type	B2L 3.50/06/180LHQV3 SN BK BX
Order No.	<a href="#">1944750000</a>
Version	PCB plug-in connector, female plug, 3.50 mm, Number of poles: 6, 180°, Tension-clamp connection, Clamping range, max. : 1 mm², Box
GTIN (EAN)	4032248619689
Qty.	108 pc(s).
Product data	IEC: 200 V / 10.6 A / 0.2 - 1 mm² UL: 150 V / 7 A / AWG 28 - AWG 18
Packaging	Box

Creation date May 3, 2020 10:11:51 AM CEST

**OMNIMATE Signal - series B2L/S2L 3.50 - 2-row  
B2L 3.50/06/180LHQV3 SN BK BX**

**Weidmüller Interface GmbH & Co. KG**  
 Klingenbergstraße 26  
 D-32758 Detmold  
 Germany  
 Fon: +49 5231 14-0  
 Fax: +49 5231 14-292083  
 www.weidmueller.com

**Technical data****Dimensions and weights**

Width	16.8 mm	Width (inches)	0.661 inch
Height	15.7 mm	Height (inches)	0.618 inch
Depth	20.6 mm	Depth (inches)	0.811 inch
Net weight	1.82 g		

**System Parameters**

Product family	OMNIMATE Signal - series B2L/S2L 3.50 - 2-row	Type of connection	Field connection
Wire connection method	Tension-clamp connection	Pitch in mm (P)	3.5 mm
Pitch in inches (P)	0.138 inch	Conductor outlet direction	180°
Number of poles	6	L1 in mm	7 mm
L1 in inches	0.276 inch	Number of rows	1
Pin series quantity	2	Rated cross-section	1 mm <sup>2</sup>
Touch-safe protection acc. to DIN VDE 57 106	Safe from finger touch	Touch-safe protection acc. to DIN VDE 0470	IP 20
Can be coded	Yes	Stripping length	7 mm
Screwdriver blade	0.4 x 2.5	Screwdriver blade standard	DIN 5264
Plugging cycles	25	Plugging force/pole, max.	5 N
Pulling force/pole, max.	4 N		

**Material data**

Insulating material	PBT	Colour	black
Colour chart (similar)	RAL 9011	Insulating material group	IIIa
Comparative Tracking Index (CTI)	≥ 200	Insulation strength	≥ 10 <sup>8</sup> Ω
UL 94 flammability rating	V-0	GWFI	960 °C
Contact material	Copper alloy	Contact surface	tinned
Storage temperature, min.	-25 °C	Storage temperature, max.	50 °C
Max. relative humidity during storage	70 %	Operating temperature, min.	-50 °C
Operating temperature, max.	100 °C	Temperature range, installation, min.	-30 °C
Temperature range, installation, max.	100 °C		

**Conductors suitable for connection**

Clamping range, min.	0.08 mm <sup>2</sup>
Clamping range, max.	1 mm <sup>2</sup>
Wire connection cross section AWG, min.	AWG 28
Wire connection cross section AWG, max.	AWG 18
Solid, min. H05(07) V-U	0.2 mm <sup>2</sup>
Solid, max. H05(07) V-U	1 mm <sup>2</sup>
Flexible, min. H05(07) V-K	0.2 mm <sup>2</sup>
Flexible, max. H05(07) V-K	1 mm <sup>2</sup>
w. plastic collar ferrule, DIN 46228 pt 4, min.	0.14 mm <sup>2</sup>
w. plastic collar ferrule, DIN 46228 pt 4, max.	0.34 mm <sup>2</sup>
w. wire end ferrule, DIN 46228 pt 1, min.	0.14 mm <sup>2</sup>
w. wire end ferrule, DIN 46228 pt 1, max.	0.34 mm <sup>2</sup>

Creation date May 3, 2020 10:11:51 AM CEST

**OMNIMATE Signal - series B2L/S2L 3.50 - 2-row  
B2L 3.50/06/180LHQV3 SN BK BX**

**Weidmüller Interface GmbH & Co. KG**  
Klingenbergstraße 26  
D-32758 Detmold  
Germany  
Fon: +49 5231 14-0  
Fax: +49 5231 14-292083  
www.weidmueller.com


**Technical data**

Clampable conductor	Cross-section for conductor connection	Type	fine-wired
	wire end ferrule	nominal	0.14 mm <sup>2</sup>
		Stripping length	nominal 10 mm
		Recommended wire-end ferrule	<a href="#">HO.14/12 GR SV</a>
Cross-section for conductor connection	wire end ferrule	Type	fine-wired
		nominal	0.25 mm <sup>2</sup>
		Stripping length	nominal 10 mm
	Recommended wire-end ferrule	<a href="#">HO.25/12 HBL</a>	
Reference text	The outside diameter of the plastic collar should not be larger than the pitch (P). Length of ferrules is to be chosen depending on the product and the rated voltage.		
Max. clamping range	1 mm <sup>2</sup>		


**Rated data acc. to IEC**

tested acc. to standard	IEC 60664-1, IEC 61984	
Rated current, max. number of poles (Tu=20°C)	8.2 A	Rated current, min. number of poles (Tu=20°C) 10.6 A
Rated current, max. number of poles (Tu=40°C)	7 A	Rated current, min. number of poles (Tu=40°C) 9.1 A
Rated voltage for surge voltage class / pollution degree III/2	160 V	Rated voltage for surge voltage class / pollution degree II/2 200 V
Rated impulse voltage for surge voltage class/ pollution degree II/2	2.5 kV	Rated voltage for surge voltage class / pollution degree III/3 80 V
Rated impulse voltage for surge voltage class/ contamination degree III/3	1.5 kV	Rated impulse voltage for surge voltage class/ pollution degree III/2 2.5 kV
		Short-time withstand current resistance 3 x 1s with 77 A

**Rated data acc. to CSA**

Institute (CSA)		Certificate No. (CSA)	200039-1488444
Rated voltage (Use group B / CSA)	300 V	Rated current (Use group B / CSA)	7 A
Wire cross-section, AWG, min.	AWG 28	Wire cross-section, AWG, max.	AWG 18
Reference to approval values	Specifications are maximum values, details - see approval certificate.		

**Rated data acc. to UL 1059**

Institute (UR)		Certificate No. (UR)	E60693
Rated voltage (Use group B / UL 1059)	150 V	Rated voltage (Use group C / UL 1059)	50 V
Rated current (Use group B / UL 1059)	7 A	Rated current (Use group C / UL 1059)	7 A
Wire cross-section, AWG, min.	AWG 28	Wire cross-section, AWG, max.	AWG 18
Reference to approval values	Specifications are maximum values, details - see approval certificate.		

**Packing**

Packaging	Box	VPE length	50 mm
VPE width	75 mm	VPE height	115 mm

Creation date May 3, 2020 10:11:51 AM CEST

**OMNIMATE Signal - series B2L/S2L 3.50 - 2-row  
B2L 3.50/06/180LHQV3 SN BK BX**

**Weidmüller Interface GmbH & Co. KG**  
Klingenbergstraße 26  
D-32758 Detmold  
Germany  
Fon: +49 5231 14-0  
Fax: +49 5231 14-292083  
www.weidmueller.com

**Technical data**
**Classifications**

ETIM 6.0	EC002638	ETIM 7.0	EC002638
eClass 9.0	27-44-03-09	eClass 9.1	27-44-03-09
eClass 10.0	27-44-03-09	UNSPSC	30-21-18-10

**Notes**

Notes	<ul style="list-style-type: none"> <li>• Additional colours on request</li> <li>• Gold-plated contact surfaces on request</li> <li>• Rated current related to rated cross-section &amp; min. No. of poles.</li> <li>• Wire end ferrule with plastic collar to DIN 46228/4</li> <li>• Wire end ferrule without plastic collar to DIN 46228/1</li> <li>• P on drawing = pitch</li> <li>• We recommend crimp shape A for wire-end ferrules with crimping tool PZ 6/5 (order no. 9011460000) for the larger wire cross-sections.</li> <li>• Rated data refer only to the component itself. Clearance and creepage distances to other components are to be designed in accordance with the relevant application standards.</li> </ul>
IPC conformity	Conformity: The products are developed, manufactured and delivered according international recognized standards and norms and comply with the assured properties in the data sheet resp. fulfill decorative properties in accordance with IPC-A-610 "Class 2". Further claims on the products can be evaluated on request.

**Approvals**

Approvals



ROHS

Conform

**Downloads**

Approval/Certificate/Document of Conformity	<a href="#">Declaration of the Manufacturer</a>
Brochure/Catalogue	<a href="#">FL DRIVES EN</a> <a href="#">MB DEVICE MANUF. EN</a> <a href="#">FL DRIVES DE</a> <a href="#">CAT 2 PORTFOLIOGUIDE EN</a> <a href="#">FL BUILDING SAFETY EN</a> <a href="#">FL APPL LED LIGHTING EN</a> <a href="#">FLIndustr.CONTROLS EN</a> <a href="#">FL MACHINE SAFETY EN</a> <a href="#">FL HEATING ELECTR EN</a> <a href="#">FL APPL INVERTER EN</a> <a href="#">FL_BASE_STATION_EN</a> <a href="#">FL ELEVATOR EN</a> <a href="#">FL POWER SUPPLY EN</a> <a href="#">FL 72H SAMPLE SER EN</a> <a href="#">PO OMNIMATE EN</a>
Engineering Data	<a href="#">EPLAN, WSCAD</a>
Engineering Data	<a href="#">STEP</a>

Creation date May 3, 2020 10:11:51 AM CEST

Catalogue status 17.04.2020 / We reserve the right to make technical changes.

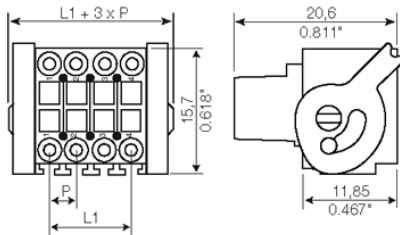
**Data sheet**

**OMNIMATE Signal - series B2L/S2L 3.50 - 2-row  
B2L 3.50/06/180LHQV3 SN BK BX**

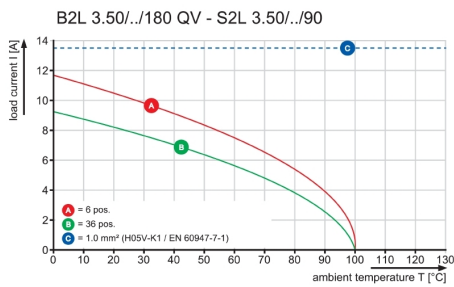
**Weidmüller Interface GmbH & Co. KG**  
 Klingenbergstraße 26  
 D-32758 Detmold  
 Germany  
 Fon: +49 5231 14-0  
 Fax: +49 5231 14-292083  
 www.weidmueller.com

**Drawings**

**Dimensional drawing**



**Graph**



**OMNIMATE Signal - series B2L/S2L 3.50 - 2-row  
B2L 3.50/06/180LH QV3 SN BK BX**

**Weidmüller Interface GmbH & Co. KG**  
Klingenbergstraße 26  
D-32758 Detmold  
Germany  
Fon: +49 5231 14-0  
Fax: +49 5231 14-292083  
www.weidmueller.com

**Mating connector (conditionally pluggable)**
**S2L-SMT 3.50/90G Box**


High-temperature-resistant, straight, 2-tier male connector for all common soldering methods. Optimised for automatic assembly. Packed in box or tape. 3.2 mm solder pin suitable for reflow and wave soldering. These male connectors can be labelled and coded.

**General ordering data**

Type	S2L-SMT 3.50/06/90G 3.2 ...	Version	Product data	Packaging
Order No.	<a href="#">1794210000</a>	PCB plug-in connector, male header, closed side, THT/THR solder connection, 3.50 mm, Number of poles: 6, 90°, Solder pin length (l): 3.2 mm, tinned, black, Box	IEC: 160 V / 10 A UL: 150 V / 10 A	Box
GTIN (EAN)	4032248231256			
Qty.	156 pc(s).			

**S2L 3.50/180F**


Straight, double-row pin header available in closed-sided or flange version (open-sided pin headers on request). The male headers with a pin length of 3.5mm are designed for wave soldering and are packed in a box. They can be screwed on to the PCB. The male headers provide space for labelling and can be coded.

**General ordering data**

Type	S2L 3.50/06/180F 3.5SN ...	Version	Product data	Packaging
Order No.	<a href="#">1729590000</a>	PCB plug-in connector, male header, Flange, THT solder connection, 3.50 mm, Number of poles: 6, 180°, Solder pin length (l): 3.5 mm, tinned, black, Box	IEC: 250 V / 10 A UL: 150 V / 10 A	Box
GTIN (EAN)	4032248040995			
Qty.	102 pc(s).			
Type	S2L 3.50/06/180F 3.5SN ...	Version	Product data	Packaging
Order No.	<a href="#">1729430000</a>	PCB plug-in connector, male header, Flange, THT solder connection, 3.50 mm, Number of poles: 6, 180°, Solder pin length (l): 3.5 mm, tinned, orange, Box	IEC: 250 V / 10 A UL: 150 V / 10 A	Box
GTIN (EAN)	4032248040865			
Qty.	102 pc(s).			

**OMNIMATE Signal - series B2L/S2L 3.50 - 2-row  
B2L 3.50/06/180LHGV3 SN BK BX**

**Weidmüller Interface GmbH & Co. KG**  
Klingenbergstraße 26  
D-32758 Detmold  
Germany  
Fon: +49 5231 14-0  
Fax: +49 5231 14-292083  
www.weidmuller.com

**Mating connector (conditionally pluggable)**
**S2L-SMT 3.50/180G Box**


High-temperature-resistant, double-row pin header for all common soldering methods. Optimised for automatic assembly. Packed in box or tape. Solder pin 3.2 mm long, suitable for reflow and wave soldering. The male connectors provide space for labelling and can be coded.

**General ordering data**

Type	S2L-SMT 3.50/06/180G 3. ...	Version	Product data	Packaging
Order No.	<a href="#">1794530000</a>	PCB plug-in connector, male header, closed side, THT/THR solder connection, 3.50 mm, Number of poles: 6, 180°, Solder pin length (l): 3.5 mm, tinned, black, Box	IEC: 160 V / 10 A UL: 150 V / 10 A	Box
GTIN (EAN)	4032248231713			
Qty.	156 pc(s).			

**S2L 3.50/180G**


Straight, double-row pin header available in closed-sided or flange version (open-sided pin headers on request). The male headers with a pin length of 3.5mm are designed for wave soldering and are packed in a box. They can be screwed on to the PCB. The male headers provide space for labelling and can be coded.

**General ordering data**

Type	S2L 3.50/06/180G 3.5SN ...	Version	Product data	Packaging
Order No.	<a href="#">1728790000</a>	PCB plug-in connector, male header, closed side, THT solder connection, 3.50 mm, Number of poles: 6, 180°, Solder pin length (l): 3.5 mm, tinned, orange, Box	IEC: 250 V / 10 A UL: 150 V / 10 A	Box
GTIN (EAN)	4032248040254			
Qty.	156 pc(s).			
Type	S2L 3.50/06/180G 3.5SN ...	Version	Product data	Packaging
Order No.	<a href="#">1728950000</a>	PCB plug-in connector, male header, closed side, THT solder connection, 3.50 mm, Number of poles: 6, 180°, Solder pin length (l): 3.5 mm, tinned, black, Box	IEC: 250 V / 10 A UL: 150 V / 10 A	Box
GTIN (EAN)	4032248040384			
Qty.	156 pc(s).			

**OMNIMATE Signal - series B2L/S2L 3.50 - 2-row  
B2L 3.50/06/180LHQV3 SN BK BX**

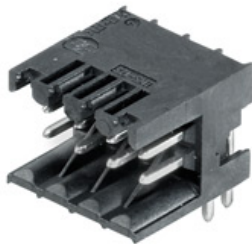
**Weidmüller Interface GmbH & Co. KG**  
 Klingenbergstraße 26  
 D-32758 Detmold  
 Germany  
 Fon: +49 5231 14-0  
 Fax: +49 5231 14-292083  
 www.weidmueller.com

**Mating connector (conditionally pluggable)**
**S2L-SMT 3.50/180G Tape**


High-temperature-resistant, double-row pin header for all common soldering methods. Optimised for automatic assembly. Packed in box or tape. Solder pin 3.2 mm long, suitable for reflow and wave soldering. The male connectors provide space for labelling and can be coded.

**General ordering data**

Type	S2L-SMT 3.50/06/180G 3. ...	Version	Product data	Packaging
Order No.	<a href="#">1807780000</a>	PCB plug-in connector, male header, closed side, THT/THR solder	IEC: 160 V / 10 A	Tape
GTIN (EAN)	4032248279487	connection, 3.50 mm, Number of poles: 6, 180°, Solder pin length (l):	UL: 150 V / 10 A	
Qty.	175 pc(s).	3.5 mm, tinned, black, Tape		

**S2L-SMT 3.50/90 BOX**


High-temperature-resistant, straight, 2-tier pin header for all common soldering methods. Optimized for automatic assembly. Packed in box or tape. 3.2 mm solder pin suitable for reflow and wave soldering. These pin headers can be labelled and coded. (Packaging in tape on request)

**General ordering data**

Type	S2L-SMT 3.50/06/90 3.2S ...	Version	Product data	Packaging
Order No.	<a href="#">1794370000</a>	PCB plug-in connector, male header, open side, THT/THR solder	IEC: 160 V / 10 A	Box
GTIN (EAN)	4032248231553	connection, 3.50 mm, Number of poles: 6, 90°, Solder pin length (l):	UL: 150 V / 10 A	
Qty.	174 pc(s).	3.2 mm, tinned, black, Box		



**OMNIMATE Signal - series B2L/S2L 3.50 - 2-row  
B2L 3.50/06/180LH QV3 SN BK BX**

**Weidmüller Interface GmbH & Co. KG**  
Klingenbergstraße 26  
D-32758 Detmold  
Germany  
Fon: +49 5231 14-0  
Fax: +49 5231 14-292083  
www.weidmueller.com

**Mating connector (conditionally pluggable)**
**S2L-SMT 3.50/180 Tape**


High-temperature-resistant, double-row pin header for all common soldering methods. Optimised for automatic assembly. Packed in box or tape. Solder pin 3.2 mm long, suitable for reflow and wave soldering. The male connectors provide space for labelling and can be coded.

**General ordering data**

Type	S2L-SMT 3.50/06/180 3.5 ...	Version	Product data	Packaging
Order No.	<a href="#">1802210000</a>	PCB plug-in connector, male header, open side, THT/THR solder connection, 3.50 mm, Number of poles: 6, 180°, Solder pin length (l): 3.5 mm, tinned, black, Tape	IEC: 160 V / 10 A UL: 150 V / 10 A	Tape
GTIN (EAN)	4032248255535			
Qty.	175 pc(s).			

**S2L 3.50/90G**


Angled, two-tier pin header available as closed-sided or with flange (open-sided pin headers on request). Pin headers with 3.5mm pins are designed for wave soldering and are packaged in a box. They can be screwed on to the PCB. The pin headers provide space for labelling and can be coded.

**General ordering data**

Type	S2L 3.50/06/90G 3.5SN O ...	Version	Product data	Packaging
Order No.	<a href="#">1727830000</a>	PCB plug-in connector, male header, closed side, THT solder connection, 3.50 mm, Number of poles: 6, 90°, Solder pin length (l): 3.5 mm, tinned, orange, Box	IEC: 250 V / 10 A UL: 150 V / 10 A	Box
GTIN (EAN)	4032248045242			
Qty.	156 pc(s).			
Type	S2L 3.50/06/90G 3.5SN B ...	Version	Product data	Packaging
Order No.	<a href="#">1727990000</a>	PCB plug-in connector, male header, closed side, THT solder connection, 3.50 mm, Number of poles: 6, 90°, Solder pin length (l): 3.5 mm, tinned, black, Box	IEC: 250 V / 10 A UL: 150 V / 10 A	Box
GTIN (EAN)	4032248039487			
Qty.	156 pc(s).			

**OMNIMATE Signal - series B2L/S2L 3.50 - 2-row  
B2L 3.50/06/180LHQV3 SN BK BX**

**Weidmüller Interface GmbH & Co. KG**  
 Klingenbergstraße 26  
 D-32758 Detmold  
 Germany  
 Fon: +49 5231 14-0  
 Fax: +49 5231 14-292083  
 www.weidmueller.com

**Mating connector (conditionally pluggable)**
**S2L-SMT 3.50/90G Tape**


High-temperature-resistant, straight, 2-tier male connector for all common soldering methods. Optimised for automatic assembly. Packed in box or tape. 3.2 mm solder pin suitable for reflow and wave soldering. These male connectors can be labelled and coded.

**General ordering data**

Type	S2L-SMT 3.50/06/90G 3.2 ...	Version	Product data	Packaging
Order No.	<a href="#">1807470000</a>	PCB plug-in connector, male header, closed side, THT/THR solder connection, 3.50 mm, Number of poles: 6, 90°, Solder pin length (l): 3.2 mm, tinned, black, Tape	IEC: 160 V / 10 A UL: 150 V / 10 A	Tape
GTIN (EAN)	4032248278763			
Qty.	235 pc(s).			

**S2L-SMT 3.50/90 Tape**


High-temperature-resistant, straight, 2-tier male connector for all common soldering methods. Optimised for automatic assembly. Packed in box or tape. 3.2 mm solder pin suitable for reflow and wave soldering. These male connectors can be labelled and coded.

**General ordering data**

Type	S2L-SMT 3.50/06/90 3.2S ...	Version	Product data	Packaging
Order No.	<a href="#">1802170000</a>	PCB plug-in connector, male header, open side, THT/THR solder connection, 3.50 mm, Number of poles: 6, 90°, Solder pin length (l): 3.2 mm, tinned, black, Tape	IEC: 160 V / 10 A UL: 150 V / 10 A	Tape
GTIN (EAN)	4032248255511			
Qty.	235 pc(s).			

**OMNIMATE Signal - series B2L/S2L 3.50 - 2-row  
B2L 3.50/06/180LHJV3 SN BK BX**

**Weidmüller Interface GmbH & Co. KG**  
Klingenbergstraße 26  
D-32758 Detmold  
Germany  
Fon: +49 5231 14-0  
Fax: +49 5231 14-292083  
www.weidmuller.com

**Mating connector (conditionally pluggable)**
**S2L 3.50/90F**


Angled, two-tier pin header available as closed-sided or with flange (open-sided pin headers on request). Pin headers with 3.5mm pins are designed for wave soldering and are packaged in a box. They can be screwed on to the PCB. The pin headers provide space for labelling and can be coded.

**General ordering data**

Type	S2L 3.50/06/90F 3.5SN B ...	Version	Product data	Packaging
Order No.	<a href="#">1728630000</a>	PCB plug-in connector, male header, Flange, THT solder connection,	IEC: 250 V / 10 A	Box
GTIN (EAN)	4032248040094	3.50 mm, Number of poles: 6, 90°, Solder pin length (l): 3.5 mm,	UL: 150 V / 10 A	
Qty.	102 pc(s).	tinned, black, Box		
Type	S2L 3.50/06/90F 3.5SN O ...	Version	Product data	Packaging
Order No.	<a href="#">1728470000</a>	PCB plug-in connector, male header, Flange, THT solder connection,	IEC: 250 V / 10 A	Box
GTIN (EAN)	4032248039968	3.50 mm, Number of poles: 6, 90°, Solder pin length (l): 3.5 mm,	UL: 150 V / 10 A	
Qty.	102 pc(s).	tinned, orange, Box		

**S2L-SMT 3.50/180 Box**


High-temperature-resistant, double-row pin header for all common soldering methods. Optimised for automatic assembly. Packed in box or tape. Solder pin 3.2 mm long, suitable for reflow and wave soldering. The male connectors provide space for labelling and can be coded.

**General ordering data**

Type	S2L-SMT 3.50/06/180 3.5 ...	Version	Product data	Packaging
Order No.	<a href="#">1794690000</a>	PCB plug-in connector, male header, open side, THT/THR solder	IEC: 160 V / 10 A	Box
GTIN (EAN)	4032248231874	connection, 3.50 mm, Number of poles: 6, 180°, Solder pin length (l):	UL: 150 V / 10 A	
Qty.	174 pc(s).	3.5 mm, tinned, black, Box		

**OMNIMATE Signal - series B2L/S2L 3.50 - 2-row  
B2L 3.50/06/180LHQV3 SN BK BX**

**Weidmüller Interface GmbH & Co. KG**  
 Klingenbergstraße 26  
 D-32758 Detmold  
 Germany  
 Fon: +49 5231 14-0  
 Fax: +49 5231 14-292083  
 www.weidmueller.com

**Mating connector (fully pluggable)**
**S2L-SMT 3.50/90LF Tape**


High-temperature-resistant, straight, 2-tier male connector for all common soldering methods. Optimised for automatic assembly. Packed in box or tape. 3.2 mm solder pin suitable for reflow and wave soldering. These male connectors can be labelled and coded.

**General ordering data**

Type	S2L-SMT 3.50/06/90LF 3. ...	Version	Product data	Packaging
Order No.	<a href="#">1807560000</a>	PCB plug-in connector, male header, Solder flange, THT/THR solder connection, 3.50 mm, Number of poles: 6, 90°, Solder pin length (l): 3.2 mm, tinned, black, Tape	IEC: 160 V / 10 A UL: 150 V / 10 A	Tape
GTIN (EAN)	4032248278855			
Qty.	235 pc(s).			

**S2L-SMT 3.50/90LF Box**


High-temperature-resistant, straight, 2-tier male connector for all common soldering methods. Optimised for automatic assembly. Packed in box or tape. 3.2 mm solder pin suitable for reflow and wave soldering. These male connectors can be labelled and coded.

**General ordering data**

Type	S2L-SMT 3.50/06/90LF 3. ...	Version	Product data	Packaging
Order No.	<a href="#">1794860000</a>	PCB plug-in connector, male header, Solder flange, THT/THR solder connection, 3.50 mm, Number of poles: 6, 90°, Solder pin length (l): 3.2 mm, tinned, black, Box	IEC: 160 V / 10 A UL: 150 V / 10 A	Box
GTIN (EAN)	4032248232314			
Qty.	102 pc(s).			

**OMNIMATE Signal - series B2L/S2L 3.50 - 2-row  
B2L 3.50/06/180LH QV3 SN BK BX**

**Weidmüller Interface GmbH & Co. KG**  
Klingenbergstraße 26  
D-32758 Detmold  
Germany  
Fon: +49 5231 14-0  
Fax: +49 5231 14-292083  
www.weidmueller.com

**Mating connector (fully pluggable)**
**S2L-SMT 3.50/180LF Tape**


High-temperature-resistant, double-row pin header for all common soldering methods. Optimised for automatic assembly. Packed in box or tape. Solder pin 3.2 mm long, suitable for reflow and wave soldering. The male connectors provide space for labelling and can be coded.

**General ordering data**

Type	S2L-SMT 3.50/06/180LF 3 ...	Version	Product data	Packaging
Order No.	<a href="#">1807870000</a>	PCB plug-in connector, male header, Solder flange, THT/THR solder connection, 3.50 mm, Number of poles: 6, 180°, Solder pin length (l): 3.5 mm, tinned, black, Tape	IEC: 160 V / 10 A UL: 150 V / 10 A	Tape
GTIN (EAN)	4032248279579			
Qty.	175 pc(s).			

**S2L-SMT 3.50/180LF Box**


High-temperature-resistant, double-row pin header for all common soldering methods. Optimised for automatic assembly. Packed in box or tape. Solder pin 3.2 mm long, suitable for reflow and wave soldering. The male connectors provide space for labelling and can be coded.

**General ordering data**

Type	S2L-SMT 3.50/06/180LF 3 ...	Version	Product data	Packaging
Order No.	<a href="#">1795200000</a>	PCB plug-in connector, male header, Solder flange, THT/THR solder connection, 3.50 mm, Number of poles: 6, 180°, Solder pin length (l): 3.5 mm, tinned, black, Box	IEC: 160 V / 10 A UL: 150 V / 10 A	Box
GTIN (EAN)	4032248232710			
Qty.	102 pc(s).			

## OMNIMATE Signal - series B2L/S2L 3.50 - 2-row B2L 3.50/06/180LH QV3 SN BK BX

**Weidmüller Interface GmbH & Co. KG**  
 Klingenbergstraße 26  
 D-32758 Detmold  
 Germany  
 Fon: +49 5231 14-0  
 Fax: +49 5231 14-292083  
 www.weidmueller.com

# Accessories

## Cover hoods



### Effective protection, optimised ergonomics and closed design:

From the strain relief on the connected conductors and the visual/contact protection and the disconnection aid: the optional retrofit hoods perform mechanical, visual and haptic functions.

The two half shells clip together securely, enclose the plug completely and offer the following functions:

- Cable ties or integrated cable clips provide strain relief.
- Marked with dekafix labels or adhesive strips
- Mounting side by side without losing poles or displacing the pitch
- Compatible: suitable for plugs with or without a flange or mounting bracket
- Flexible: 1-3 cable outlets leading in different directions available depending on the size

Weidmüller hoods offer added stability, better identification, complete compatibility and versatility. The result: maximum reliability and user-friendliness in any application.

### General ordering data

Type	B2L 3.50 AH06 BK BX	Version	Product data	Packaging
Order No.	<a href="#">1781560000</a>	PCB plug-in connector, Accessories, Hood, black, Number of poles: 6		Box
GTIN (EAN)	4032248172610			
Qty.	10 pc(s).			

## Coding elements



### Only connects what is supposed to be connected: the right connection at the right place.

Coding elements and locking devices clearly assign connecting elements during the manufacturing process and operation

The coding elements and locking devices are inserted prior to assembly or during the cable assembly phase. The Weidmüller alternative: configure online using the variant configurator to precode prior to delivery.

Incorrect assembly on the circuit board and incorrect plugging of connecting elements is no longer possible. The advantage: no troubleshooting during manufacture and no operational errors by the user.

### General ordering data

Type	B2L/S2L 3.50 KO OR BX	Version	Product data	Packaging
Order No.	<a href="#">1849730000</a>	PCB plug-in connector, Accessories, Coding element, orange, Number of poles: 1		Box
GTIN (EAN)	4032248378197			
Qty.	100 pc(s).			

**Data sheet**

**OMNIMATE Signal - series B2L/S2L 3.50 - 2-row  
B2L 3.50/06/180LHQV3 SN BK BX**

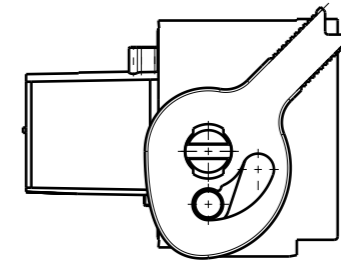
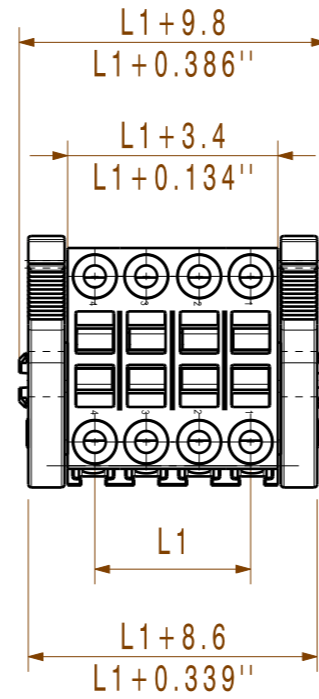
**Weidmüller Interface GmbH & Co. KG**  
 Klingenbergstraße 26  
 D-32758 Detmold  
 Germany  
 Fon: +49 5231 14-0  
 Fax: +49 5231 14-292083  
 www.weidmueller.com

**Accessories**

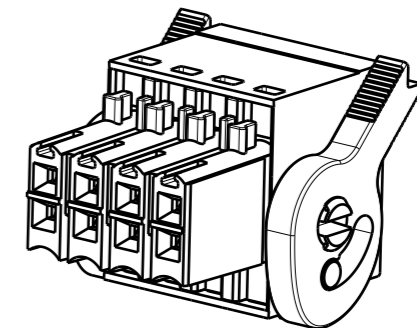
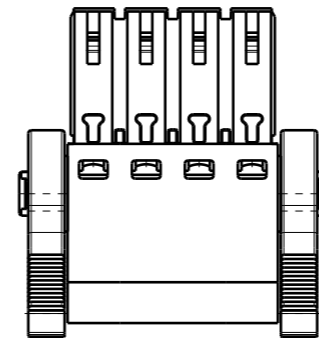
Type	B2L/S2L 3.50 KO BK BX	Version	Product data	Packaging
Order No.	<a href="#">1849740000</a>	PCB plug-in connector, Accessories, Coding element, black, Number		Box
GTIN (EAN)	4032248378203	of poles: 1		
Qty.	100 pc(s).			

The reproduction, distribution and utilization of this document as well as the communication of its contents to others without explicit authorization is prohibited. Offenders will be held liable for the payment of damages. Weidmüller exclusively reserves the right to file for patents, utility models or designs.

© Weidmüller Interface GmbH & Co. KG



- conductor
- screwdriver
- conductor



36	2,345	59,50
34	2,207	56,00
32	2,069	52,50
30	1,931	49,00
28	1,793	45,50
26	1,655	42,00
24	1,517	38,50
22	1,379	35,00
20	1,241	31,50
18	1,103	28,00
16	0,965	24,50
14	0,827	21,00
12	0,689	17,50
10	0,551	14,00
8	0,413	10,50
6	0,275	7,00
n	L1[inch]	L1 [mm]

shown: B2L 3.5/08LH QV4 BED

For the mounting of PCBs, it should be noted that the rated data given in the catalogue relates only to the connection elements. The necessary creepage and clearance paths must be observed in connection with the respective applicant in accordance to VDE 0110. The current-carrying capacity and pitch tolerance is to be determined according to DIN IEC 326 part 3 very fine.

Weidmüller connectors are tested to the DIN VDE 0627 standard, and are valid for its field of application. Provided that the connectors are used to the intended purpose, all requirements with respect to the occurring of electrical, mechanical, thermic and corrosive stress will be satisfied.

	<b>GENERAL TOLERANCE: DIN ISO 2768-mK</b>		87939/5 03.05.16 HELIS_MA 01	Cat.no.: <b>3 39691 02</b>
	Modification			Drawing no. <b>3 39691 02</b> Sheet 00 of 00 sheets
	Date	Name		<b>B2L 3.50/.../...PRT</b> BUCHSENLEISTE SOCKET BLOCK
Scale: 2:1	Drawn	02.07.2007	NICKOL_M	
Supersedes: .	Responsible	13.05.2016	AMANN_A	
	Checked	13.05.2016	HELIS_MA	
	Approved	13.05.2016	HECKERT_M	Product file: B2L QV 7367