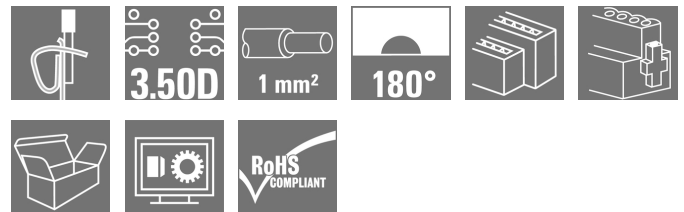


OMNIMATE Signal - series B2L/S2L 3.50 - 2-row B2L 3.50/18/180FQV9 SN BK BX

Weidmüller Interface GmbH & Co. KG
Klingenbergstraße 26
D-32758 Detmold
Germany
Fon: +49 5231 14-0
Fax: +49 5231 14-292083
www.weidmueller.com

Product image



Similar to illustration

Female connector with integral cross-connection and clear printing for uninterrupted relaying of potential at full current-carrying capacity with the maximum cable cross-section. The cross-connection is positioned vertically between the poles of rows directly on top of each other. Conductor connection with tension clamp system with straight outlet and 3.5 mm pitch. Flange and release lever available. Packed in cardboard box.

General ordering data

Type	B2L 3.50/18/180FQV9 SN BK BX
Order No.	1944730000
Version	PCB plug-in connector, female plug, 3.50 mm, Number of poles: 18, 180°, Tension-clamp connection, Clamping range, max. : 1 mm², Box
GTIN (EAN)	4032248619665
Qty.	48 pc(s).
Product data	IEC: 200 V / 10.6 A / 0.2 - 1 mm² UL: 150 V / 7 A / AWG 28 - AWG 18
Packaging	Box

Creation date May 3, 2020 10:12:02 AM CEST

**OMNIMATE Signal - series B2L/S2L 3.50 - 2-row
B2L 3.50/18/180FQV9 SN BK BX**

Weidmüller Interface GmbH & Co. KG
 Klingenbergstraße 26
 D-32758 Detmold
 Germany
 Fon: +49 5231 14-0
 Fax: +49 5231 14-292083
 www.weidmueller.com

Technical data**Dimensions and weights**

Width	38.3 mm	Width (inches)	1.508 inch
Height	15.7 mm	Height (inches)	0.618 inch
Depth	20.6 mm	Depth (inches)	0.811 inch
Net weight	4.29 g		

System Parameters

Product family	OMNIMATE Signal - series B2L/S2L 3.50 - 2-row	Type of connection	Field connection
Wire connection method	Tension-clamp connection	Pitch in mm (P)	3.5 mm
Pitch in inches (P)	0.138 inch	Conductor outlet direction	180°
Number of poles	18	L1 in mm	28 mm
L1 in inches	1.102 inch	Number of rows	1
Pin series quantity	2	Rated cross-section	1 mm ²
Touch-safe protection acc. to DIN VDE 57 106	Safe from finger touch	Touch-safe protection acc. to DIN VDE 0470	IP 20
Can be coded	Yes	Stripping length	7 mm
Tightening torque for screw flange, min.	0.2 Nm	Tightening torque for screw flange, max.	0.25 Nm
Screwdriver blade	0.4 x 2.5	Screwdriver blade standard	DIN 5264
Plugging cycles	25	Plugging force/pole, max.	5 N
Pulling force/pole, max.	4 N		

Material data

Insulating material	PBT	Colour	black
Colour chart (similar)	RAL 9011	Insulating material group	IIIa
Comparative Tracking Index (CTI)	≥ 200	Insulation strength	≥ 10 ⁸ Ω
UL 94 flammability rating	V-0	GWFI	960 °C
Contact material	Copper alloy	Contact surface	tinned
Storage temperature, min.	-25 °C	Storage temperature, max.	50 °C
Max. relative humidity during storage	70 %	Operating temperature, min.	-50 °C
Operating temperature, max.	100 °C	Temperature range, installation, min.	-30 °C
Temperature range, installation, max.	100 °C		

Conductors suitable for connection

Clamping range, min.	0.08 mm ²
Clamping range, max.	1 mm ²
Wire connection cross section AWG, min.	AWG 28
Wire connection cross section AWG, max.	AWG 18
Solid, min. H05(07) V-U	0.2 mm ²
Solid, max. H05(07) V-U	1 mm ²
Flexible, min. H05(07) V-K	0.2 mm ²
Flexible, max. H05(07) V-K	1 mm ²
w. plastic collar ferrule, DIN 46228 pt 4, min.	0.14 mm ²
w. plastic collar ferrule, DIN 46228 pt 4, max.	0.34 mm ²
w. wire end ferrule, DIN 46228 pt 1, min.	0.14 mm ²
w. wire end ferrule, DIN 46228 pt 1, max.	0.34 mm ²

Creation date May 3, 2020 10:12:02 AM CEST

**OMNIMATE Signal - series B2L/S2L 3.50 - 2-row
B2L 3.50/18/180FQV9 SN BK BX**

Weidmüller Interface GmbH & Co. KG
 Klingenbergstraße 26
 D-32758 Detmold
 Germany
 Fon: +49 5231 14-0
 Fax: +49 5231 14-292083
 www.weidmueller.com


Technical data

Clampable conductor	Cross-section for conductor connection	Type	fine-wired
	wire end ferrule	nominal	0.14 mm ²
		Stripping length	nominal 10 mm
		Recommended wire-end ferrule	HO.14/12 GR SV
Cross-section for conductor connection	wire end ferrule	Type	fine-wired
		nominal	0.25 mm ²
		Stripping length	nominal 10 mm
	Recommended wire-end ferrule	HO.25/12 HBL	
Reference text	The outside diameter of the plastic collar should not be larger than the pitch (P). Length of ferrules is to be chosen depending on the product and the rated voltage.		
Max. clamping range	1 mm ²		


Rated data acc. to IEC

tested acc. to standard	IEC 60664-1, IEC 61984	
Rated current, max. number of poles (Tu=20°C)	8.2 A	Rated current, min. number of poles (Tu=20°C) 10.6 A
Rated current, max. number of poles (Tu=40°C)	7 A	Rated current, min. number of poles (Tu=40°C) 9.1 A
Rated voltage for surge voltage class / pollution degree III/2	160 V	Rated voltage for surge voltage class / pollution degree II/2 200 V
Rated impulse voltage for surge voltage class/ pollution degree II/2	2.5 kV	Rated voltage for surge voltage class / pollution degree III/3 80 V
Rated impulse voltage for surge voltage class/ contamination degree III/3	1.5 kV	Rated impulse voltage for surge voltage class/ pollution degree III/2 2.5 kV
		Short-time withstand current resistance 3 x 1s with 77 A

Rated data acc. to CSA

Institute (CSA)		Certificate No. (CSA)	200039-1488444
Rated voltage (Use group B / CSA)	300 V	Rated current (Use group B / CSA)	7 A
Wire cross-section, AWG, min.	AWG 28	Wire cross-section, AWG, max.	AWG 18
Reference to approval values	Specifications are maximum values, details - see approval certificate.		

Rated data acc. to UL 1059

Institute (UR)		Certificate No. (UR)	E60693
Rated voltage (Use group B / UL 1059)	150 V	Rated voltage (Use group C / UL 1059)	50 V
Rated current (Use group B / UL 1059)	7 A	Rated current (Use group C / UL 1059)	7 A
Wire cross-section, AWG, min.	AWG 28	Wire cross-section, AWG, max.	AWG 18
Reference to approval values	Specifications are maximum values, details - see approval certificate.		

Packing

Packaging	Box	VPE length	30 mm
VPE width	135 mm	VPE height	350 mm

Creation date May 3, 2020 10:12:02 AM CEST

Catalogue status 17.04.2020 / We reserve the right to make technical changes.

3

**OMNIMATE Signal - series B2L/S2L 3.50 - 2-row
B2L 3.50/18/180FQV9 SN BK BX**

Weidmüller Interface GmbH & Co. KG
Klingenbergstraße 26
D-32758 Detmold
Germany
Fon: +49 5231 14-0
Fax: +49 5231 14-292083
www.weidmueller.com

Technical data
Classifications

ETIM 6.0	EC002638	ETIM 7.0	EC002638
eClass 9.0	27-44-03-09	eClass 9.1	27-44-03-09
eClass 10.0	27-44-03-09	UNSPSC	30-21-18-10

Notes

Notes	<ul style="list-style-type: none"> • Additional colours on request • Gold-plated contact surfaces on request • Rated current related to rated cross-section & min. No. of poles. • Wire end ferrule with plastic collar to DIN 46228/4 • Wire end ferrule without plastic collar to DIN 46228/1 • P on drawing = pitch • We recommend crimp shape A for wire-end ferrules with crimping tool PZ 6/5 (order no. 9011460000) for the larger wire cross-sections. • Rated data refer only to the component itself. Clearance and creepage distances to other components are to be designed in accordance with the relevant application standards.
IPC conformity	Conformity: The products are developed, manufactured and delivered according international recognized standards and norms and comply with the assured properties in the data sheet resp. fulfill decorative properties in accordance with IPC-A-610 "Class 2". Further claims on the products can be evaluated on request.

Approvals

Approvals



ROHS

Conform

Downloads

Approval/Certificate/Document of Conformity	Declaration of the Manufacturer
Brochure/Catalogue	FL DRIVES EN MB DEVICE MANUF. EN FL DRIVES DE CAT 2 PORTFOLIOGUIDE EN FL BUILDING SAFETY EN FL APPL LED LIGHTING EN FLIndustr.CONTROLS EN FL MACHINE SAFETY EN FL HEATING ELECTR EN FL APPL INVERTER EN FL_BASE_STATION_EN FL ELEVATOR EN FL POWER SUPPLY EN FL 72H SAMPLE SER EN PO OMNIMATE EN
Engineering Data	EPLAN, WSCAD
Engineering Data	STEP

Creation date May 3, 2020 10:12:02 AM CEST

Catalogue status 17.04.2020 / We reserve the right to make technical changes.

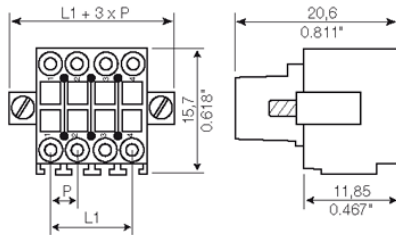
Data sheet

**OMNIMATE Signal - series B2L/S2L 3.50 - 2-row
B2L 3.50/18/180FQV9 SN BK BX**

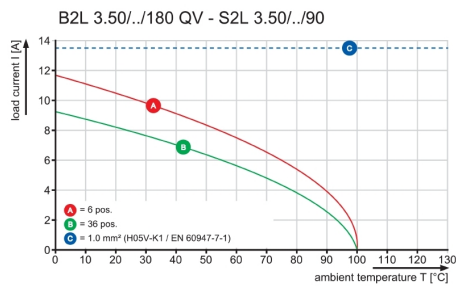
Weidmüller Interface GmbH & Co. KG
 Klingenbergstraße 26
 D-32758 Detmold
 Germany
 Fon: +49 5231 14-0
 Fax: +49 5231 14-292083
 www.weidmueller.com

Drawings

Dimensional drawing



Graph



**OMNIMATE Signal - series B2L/S2L 3.50 - 2-row
B2L 3.50/18/180FQV9 SN BK BX**

Weidmüller Interface GmbH & Co. KG
 Klingenbergstraße 26
 D-32758 Detmold
 Germany
 Fon: +49 5231 14-0
 Fax: +49 5231 14-292083
 www.weidmueller.com

Mating connector (conditionally pluggable)
S2L-SMT 3.50/90G Box


High-temperature-resistant, straight, 2-tier male connector for all common soldering methods. Optimised for automatic assembly. Packed in box or tape. 3.2 mm solder pin suitable for reflow and wave soldering. These male connectors can be labelled and coded.

General ordering data

Type	S2L-SMT 3.50/18/90G 3.2 ...	Version	Product data	Packaging
Order No.	1794270000	PCB plug-in connector, male header, closed side, THT/THR solder connection, 3.50 mm, Number of poles: 18, 90°, Solder pin length (l): 3.2 mm, tinned, black, Box	IEC: 160 V / 10 A UL: 150 V / 10 A	Box
GTIN (EAN)	4032248231423			
Qty.	54 pc(s).			

S2L-SMT 3.50/180G Box


High-temperature-resistant, double-row pin header for all common soldering methods. Optimised for automatic assembly. Packed in box or tape. Solder pin 3.2 mm long, suitable for reflow and wave soldering. The male connectors provide space for labelling and can be coded.

General ordering data

Type	S2L-SMT 3.50/18/180G 3.2 ...	Version	Product data	Packaging
Order No.	1794590000	PCB plug-in connector, male header, closed side, THT/THR solder connection, 3.50 mm, Number of poles: 18, 180°, Solder pin length (l): 3.5 mm, tinned, black, Box	IEC: 160 V / 10 A UL: 150 V / 10 A	Box
GTIN (EAN)	4032248231775			
Qty.	54 pc(s).			

**OMNIMATE Signal - series B2L/S2L 3.50 - 2-row
B2L 3.50/18/180FQV9 SN BK BX**

Weidmüller Interface GmbH & Co. KG
Klingenbergstraße 26
D-32758 Detmold
Germany
Fon: +49 5231 14-0
Fax: +49 5231 14-292083
www.weidmueller.com

Mating connector (conditionally pluggable)
S2L 3.50/180G


Straight, double-row pin header available in closed-sided or flange version (open-sided pin headers on request). The male headers with a pin length of 3.5mm are designed for wave soldering and are packed in a box. They can be screwed on to the PCB. The male headers provide space for labelling and can be coded.

General ordering data

Type	S2L 3.50/18/180G 3.5SN ...	Version	Product data	Packaging
Order No.	1729010000	PCB plug-in connector, male header, closed side, THT solder	IEC: 250 V / 10 A	Box
GTIN (EAN)	4032248040445	connection, 3.50 mm, Number of poles: 18, 180°, Solder pin length	UL: 150 V / 10 A	
Qty.	54 pc(s).	(I): 3.5 mm, tinned, black, Box		
Type	S2L 3.50/18/180G 3.5SN ...	Version	Product data	Packaging
Order No.	1728850000	PCB plug-in connector, male header, closed side, THT solder	IEC: 250 V / 10 A	Box
GTIN (EAN)	4032248040292	connection, 3.50 mm, Number of poles: 18, 180°, Solder pin length	UL: 150 V / 10 A	
Qty.	54 pc(s).	(I): 3.5 mm, tinned, orange, Box		

S2L-SMT 3.50/180G Tape

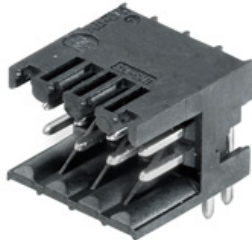

High-temperature-resistant, double-row pin header for all common soldering methods. Optimised for automatic assembly. Packed in box or tape. Solder pin 3.2 mm long, suitable for reflow and wave soldering. The male connectors provide space for labelling and can be coded.

General ordering data

Type	S2L-SMT 3.50/18/180G 3. ...	Version	Product data	Packaging
Order No.	1807840000	PCB plug-in connector, male header, closed side, THT/THR solder	IEC: 160 V / 10 A	Tape
GTIN (EAN)	4032248279548	connection, 3.50 mm, Number of poles: 18, 180°, Solder pin length	UL: 150 V / 10 A	
Qty.	175 pc(s).	(I): 3.5 mm, tinned, black, Tape		

**OMNIMATE Signal - series B2L/S2L 3.50 - 2-row
B2L 3.50/18/180FQV9 SN BK BX**

Weidmüller Interface GmbH & Co. KG
Klingenbergstraße 26
D-32758 Detmold
Germany
Fon: +49 5231 14-0
Fax: +49 5231 14-292083
www.weidmueller.com

Mating connector (conditionally pluggable)
S2L-SMT 3.50/90 BOX


High-temperature-resistant, straight, 2-tier pin header for all common soldering methods. Optimized for automatic assembly. Packed in box or tape. 3.2 mm solder pin suitable for reflow and wave soldering. These pin headers can be labelled and coded. (Packaging in tape on request)

General ordering data

Type	S2L-SMT 3.50/18/90 3.2S ...	Version	Product data	Packaging
Order No.	1794430000	PCB plug-in connector, male header, open side, THT/THR solder connection, 3.50 mm, Number of poles: 18, 90°, Solder pin length (l): 3.2 mm, tinned, black, Box	IEC: 160 V / 10 A UL: 150 V / 10 A	Box
GTIN (EAN)	4032248231614			
Qty.	54 pc(s).			

S2L 3.50/90G


Angled, two-tier pin header available as closed-sided or with flange (open-sided pin headers on request). Pin headers with 3.5mm pins are designed for wave soldering and are packaged in a box. They can be screwed on to the PCB. The pin headers provide space for labelling and can be coded.

General ordering data

Type	S2L 3.50/18/90G 3.5SN O ...	Version	Product data	Packaging
Order No.	1727890000	PCB plug-in connector, male header, closed side, THT solder connection, 3.50 mm, Number of poles: 18, 90°, Solder pin length (l): 3.5 mm, tinned, orange, Box	IEC: 250 V / 10 A UL: 150 V / 10 A	Box
GTIN (EAN)	4032248039395			
Qty.	54 pc(s).			
Type	S2L 3.50/18/90G 3.5SN B ...	Version	Product data	Packaging
Order No.	1728050000	PCB plug-in connector, male header, closed side, THT solder connection, 3.50 mm, Number of poles: 18, 90°, Solder pin length (l): 3.5 mm, tinned, black, Box	IEC: 250 V / 10 A UL: 150 V / 10 A	Box
GTIN (EAN)	4032248039548			
Qty.	54 pc(s).			

**OMNIMATE Signal - series B2L/S2L 3.50 - 2-row
B2L 3.50/18/180FQV9 SN BK BX**

Weidmüller Interface GmbH & Co. KG
 Klingenbergstraße 26
 D-32758 Detmold
 Germany
 Fon: +49 5231 14-0
 Fax: +49 5231 14-292083
 www.weidmueller.com

Mating connector (conditionally pluggable)
S2L-SMT 3.50/90G Tape


High-temperature-resistant, straight, 2-tier male connector for all common soldering methods. Optimised for automatic assembly. Packed in box or tape. 3.2 mm solder pin suitable for reflow and wave soldering. These male connectors can be labelled and coded.

General ordering data

Type	S2L-SMT 3.50/18/90G 3.2 ...	Version	Product data	Packaging
Order No.	1807530000	PCB plug-in connector, male header, closed side, THT/THR solder connection, 3.50 mm, Number of poles: 18, 90°, Solder pin length (l): 3.2 mm, tinned, black, Tape	IEC: 160 V / 10 A UL: 150 V / 10 A	Tape
GTIN (EAN)	4032248278824			
Qty.	235 pc(s).			

S2L-SMT 3.50/180 Box


High-temperature-resistant, double-row pin header for all common soldering methods. Optimised for automatic assembly. Packed in box or tape. Solder pin 3.2 mm long, suitable for reflow and wave soldering. The male connectors provide space for labelling and can be coded.

General ordering data

Type	S2L-SMT 3.50/18/180 3.5 ...	Version	Product data	Packaging
Order No.	1794750000	PCB plug-in connector, male header, open side, THT/THR solder connection, 3.50 mm, Number of poles: 18, 180°, Solder pin length (l): 3.5 mm, tinned, black, Box	IEC: 160 V / 10 A UL: 150 V / 10 A	Box
GTIN (EAN)	4032248231935			
Qty.	54 pc(s).			

**OMNIMATE Signal - series B2L/S2L 3.50 - 2-row
B2L 3.50/18/180FQV9 SN BK BX**

Weidmüller Interface GmbH & Co. KG
Klingenbergstraße 26
D-32758 Detmold
Germany
Fon: +49 5231 14-0
Fax: +49 5231 14-292083
www.weidmueller.com

Mating connector (fully pluggable)
S2L 3.50/180F


Straight, double-row pin header available in closed-sided or flange version (open-sided pin headers on request). The male headers with a pin length of 3.5mm are designed for wave soldering and are packed in a box. They can be screwed on to the PCB. The male headers provide space for labelling and can be coded.

General ordering data

Type	S2L 3.50/18/180F 3.5SN ...	Version	Product data	Packaging
Order No.	1729650000	PCB plug-in connector, male header, Flange, THT solder connection,	IEC: 250 V / 10 A	Box
GTIN (EAN)	4032248041053	3.50 mm, Number of poles: 18, 180°, Solder pin length (l): 3.5 mm,	UL: 150 V / 10 A	
Qty.	48 pc(s).	tinned, black, Box		
Type	S2L 3.50/18/180F 3.5SN ...	Version	Product data	Packaging
Order No.	1729490000	PCB plug-in connector, male header, Flange, THT solder connection,	IEC: 250 V / 10 A	Box
GTIN (EAN)	4032248040902	3.50 mm, Number of poles: 18, 180°, Solder pin length (l): 3.5 mm,	UL: 150 V / 10 A	
Qty.	48 pc(s).	tinned, orange, Box		

S2L-SMT 3.50/90LF Tape


High-temperature-resistant, straight, 2-tier male connector for all common soldering methods. Optimised for automatic assembly. Packed in box or tape. 3.2 mm solder pin suitable for reflow and wave soldering. These male connectors can be labelled and coded.

General ordering data

Type	S2L-SMT 3.50/18/90LF 3. ...	Version	Product data	Packaging
Order No.	1807620000	PCB plug-in connector, male header, Solder flange, THT/THR solder	IEC: 160 V / 10 A	Tape
GTIN (EAN)	4032248279012	connection, 3.50 mm, Number of poles: 18, 90°, Solder pin length (l):	UL: 150 V / 10 A	
Qty.	235 pc(s).	3.2 mm, tinned, black, Tape		

**OMNIMATE Signal - series B2L/S2L 3.50 - 2-row
B2L 3.50/18/180FQV9 SN BK BX**

Weidmüller Interface GmbH & Co. KG
Klingenbergstraße 26
D-32758 Detmold
Germany
Fon: +49 5231 14-0
Fax: +49 5231 14-292083
www.weidmueller.com

Mating connector (fully pluggable)
S2L-SMT 3.50/90LF Box


High-temperature-resistant, straight, 2-tier male connector for all common soldering methods. Optimised for automatic assembly. Packed in box or tape. 3.2 mm solder pin suitable for reflow and wave soldering. These male connectors can be labelled and coded.

General ordering data

Type	S2L-SMT 3.50/18/90LF 3. ...	Version	Product data	Packaging
Order No.	1794920000	PCB plug-in connector, male header, Solder flange, THT/THR solder connection, 3.50 mm, Number of poles: 18, 90°, Solder pin length (l): 3.2 mm, tinned, black, Box	IEC: 160 V / 10 A UL: 150 V / 10 A	Box
GTIN (EAN)	4032248232376			
Qty.	48 pc(s).			

S2L 3.50/90F


Angled, two-tier pin header available as closed-sided or with flange (open-sided pin headers on request). Pin headers with 3.5mm pins are designed for wave soldering and are packaged in a box. They can be screwed on to the PCB. The pin headers provide space for labelling and can be coded.

General ordering data

Type	S2L 3.50/18/90F 3.5SN O ...	Version	Product data	Packaging
Order No.	1728530000	PCB plug-in connector, male header, Flange, THT solder connection, 3.50 mm, Number of poles: 18, 90°, Solder pin length (l): 3.5 mm, tinned, orange, Box	IEC: 250 V / 10 A UL: 150 V / 10 A	Box
GTIN (EAN)	4032248040001			
Qty.	48 pc(s).			
Type	S2L 3.50/18/90F 3.5SN B ...	Version	Product data	Packaging
Order No.	1728690000	PCB plug-in connector, male header, Flange, THT solder connection, 3.50 mm, Number of poles: 18, 90°, Solder pin length (l): 3.5 mm, tinned, black, Box	IEC: 250 V / 10 A UL: 150 V / 10 A	Box
GTIN (EAN)	4032248040155			
Qty.	48 pc(s).			

**OMNIMATE Signal - series B2L/S2L 3.50 - 2-row
B2L 3.50/18/180FQV9 SN BK BX**

Weidmüller Interface GmbH & Co. KG
 Klingenbergstraße 26
 D-32758 Detmold
 Germany
 Fon: +49 5231 14-0
 Fax: +49 5231 14-292083
 www.weidmueller.com

Mating connector (fully pluggable)
S2L-SMT 3.50/180LF Tape


High-temperature-resistant, double-row pin header for all common soldering methods. Optimised for automatic assembly. Packed in box or tape. Solder pin 3.2 mm long, suitable for reflow and wave soldering. The male connectors provide space for labelling and can be coded.

General ordering data

Type	S2L-SMT 3.50/18/180LF 3 ...	Version	Product data	Packaging
Order No.	1807930000	PCB plug-in connector, male header, Solder flange, THT/THR solder connection, 3.50 mm, Number of poles: 18, 180°, Solder pin length (l): 3.5 mm, tinned, black, Tape	IEC: 160 V / 10 A UL: 150 V / 10 A	Tape
GTIN (EAN)	4032248279630			
Qty.	175 pc(s).			

S2L-SMT 3.50/180LF Box


High-temperature-resistant, double-row pin header for all common soldering methods. Optimised for automatic assembly. Packed in box or tape. Solder pin 3.2 mm long, suitable for reflow and wave soldering. The male connectors provide space for labelling and can be coded.

General ordering data

Type	S2L-SMT 3.50/18/180LF 3 ...	Version	Product data	Packaging
Order No.	1795260000	PCB plug-in connector, male header, Solder flange, THT/THR solder connection, 3.50 mm, Number of poles: 18, 180°, Solder pin length (l): 3.5 mm, tinned, black, Box	IEC: 160 V / 10 A UL: 150 V / 10 A	Box
GTIN (EAN)	4032248232772			
Qty.	48 pc(s).			

OMNIMATE Signal - series B2L/S2L 3.50 - 2-row B2L 3.50/18/180FQV9 SN BK BX

Weidmüller Interface GmbH & Co. KG
 Klingenbergstraße 26
 D-32758 Detmold
 Germany
 Fon: +49 5231 14-0
 Fax: +49 5231 14-292083
 www.weidmueller.com

Accessories

Cover hoods



Effective protection, optimised ergonomics and closed design:

From the strain relief on the connected conductors and the visual/contact protection and the disconnection aid: the optional retrofit hoods perform mechanical, visual and haptic functions.

The two half shells clip together securely, enclose the plug completely and offer the following functions:

- Cable ties or integrated cable clips provide strain relief.
- Marked with dekafix labels or adhesive strips
- Mounting side by side without losing poles or displacing the pitch
- Compatible: suitable for plugs with or without a flange or mounting bracket
- Flexible: 1-3 cable outlets leading in different directions available depending on the size

Weidmüller hoods offer added stability, better identification, complete compatibility and versatility. The result: maximum reliability and user-friendliness in any application.

General ordering data

Type	B2L 3.50 AH18 BK BX	Version	Product data	Packaging
Order No.	1781620000	PCB plug-in connector, Accessories, Hood, black, Number of poles: 18		Box
GTIN (EAN)	4032248172672			
Qty.	10 pc(s).			

Coding elements



Only connects what is supposed to be connected: the right connection at the right place.

Coding elements and locking devices clearly assign connecting elements during the manufacturing process and operation

The coding elements and locking devices are inserted prior to assembly or during the cable assembly phase. The Weidmüller alternative: configure online using the variant configurator to precode prior to delivery.

Incorrect assembly on the circuit board and incorrect plugging of connecting elements is no longer possible. The advantage: no troubleshooting during manufacture and no operational errors by the user.

General ordering data

Type	B2L/S2L 3.50 KO OR BX	Version	Product data	Packaging
Order No.	1849730000	PCB plug-in connector, Accessories, Coding element, orange, Number of poles: 1		Box
GTIN (EAN)	4032248378197			
Qty.	100 pc(s).			

Data sheet

**OMNIMATE Signal - series B2L/S2L 3.50 - 2-row
B2L 3.50/18/180FQV9 SN BK BX**

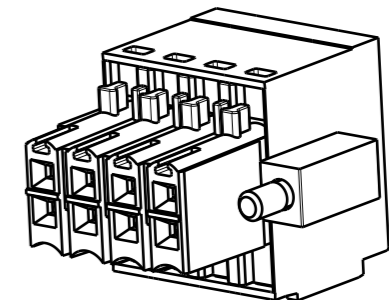
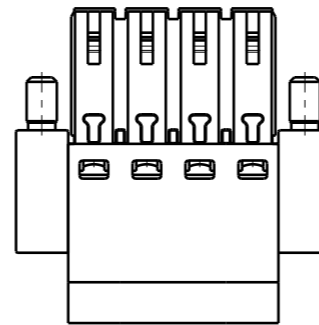
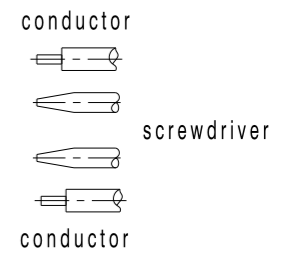
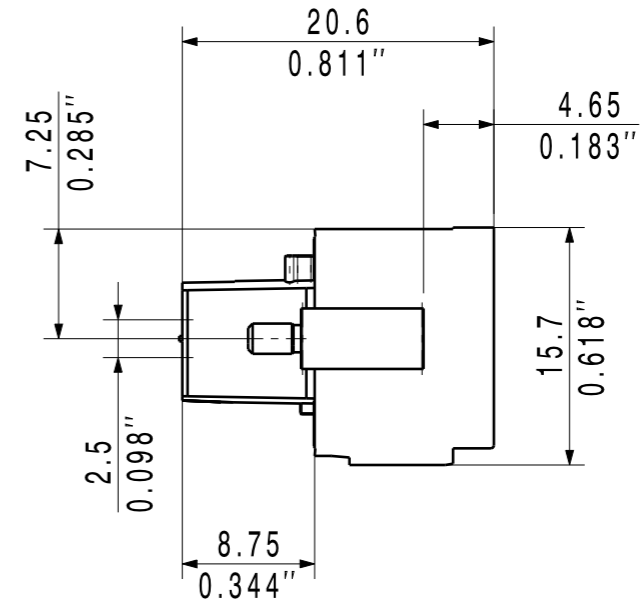
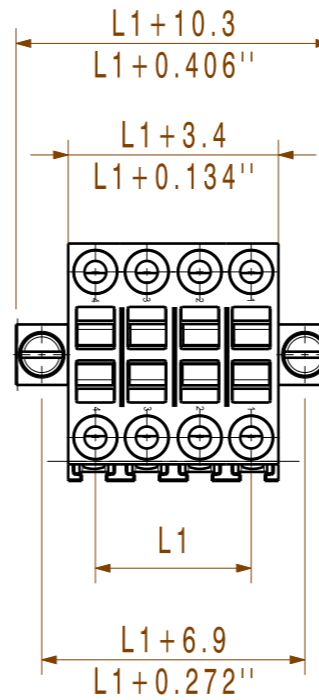
Weidmüller Interface GmbH & Co. KG
 Klingenbergstraße 26
 D-32758 Detmold
 Germany
 Fon: +49 5231 14-0
 Fax: +49 5231 14-292083
 www.weidmueller.com

Accessories

Type	B2L/S2L 3.50 KO BK BX	Version	Product data	Packaging
Order No.	1849740000	PCB plug-in connector, Accessories, Coding element, black, Number		Box
GTIN (EAN)	4032248378203	of poles: 1		
Qty.	100 pc(s).			

The reproduction, distribution and utilization of this document as well as the communication of its contents to others without explicit authorization is prohibited. Offenders will be held liable for the payment of damages. Weidmüller exclusively reserves the right to file for patents, utility models or designs.

© Weidmüller Interface GmbH & Co. KG



36	2,345	59,50
34	2,207	56,00
32	2,069	52,50
30	1,931	49,00
28	1,793	45,50
26	1,655	42,00
24	1,517	38,50
22	1,379	35,00
20	1,241	31,50
18	1,103	28,00
16	0,965	24,50
14	0,827	21,00
12	0,689	17,50
10	0,551	14,00
8	0,413	10,50
6	0,275	7,00
n	L1[inch]	L1 [mm]

shown: B2L 3.5/08F QV4 BED

For the mounting of PCBs, it should be noted that the rated data given in the catalogue relates only to the connection elements. The necessary creepage and clearance paths must be observed in connection with the respective applicant in accordance to VDE 0110. The current-carrying capacity and pitch tolerance is to be determined according to DIN IEC 326 part 3 very fine.

Weidmüller connectors are tested to the DIN VDE 0627 standard, and are valid for its field of application. Provided that the connectors are used to the intended purpose, all requirements with respect to the occurring of electrical, mechanical, thermic and corrosive stress will be satisfied.

GENERAL TOLERANCE: DIN ISO 2768-mK 	87939/5 03.05.16 HELIS_MA 01			Cat.no.: .	
	Modification			3 39691 02 Drawing no. Issue no.	
	Drawn	02.07.2007	NICKOL_M	B2L 3.50/.../...PRT BUCHSENLEISTE SOCKET BLOCK	
	Responsible		AMANN_A		
	Checked	13.05.2016	HELIS_MA		
Scale: 2:1	Approved		HECKERT_M	Product file: B2L QV	7367
Supersedes: .	Sheet 00 of 00 sheets				