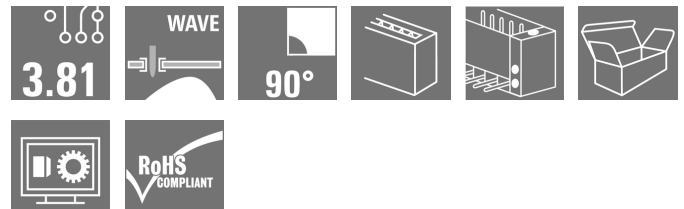


OMNIMATE Signal - series BC/SC 3.81 SC 3.81/05/90F 3.2SN BK BX

Weidmüller Interface GmbH & Co. KG
Klingenbergstraße 26
D-32758 Detmold
Germany
Fon: +49 5231 14-0
Fax: +49 5231 14-292083
www.weidmueller.com

Product image



Similar to illustration

The SC pin header has a parallel (recumbent) plugging direction in relation to the PCB. It is available in closed (G) and screw flange (F) versions.

Weidmüller's 3.81-mm-pitch (0.15 inch) plug-in connectors are compatible with the layouts of standard connectors. They support a flood-light display and offer space for labelling and coding.

General ordering data

Type	SC 3.81/05/90F 3.2SN BK BX
Order No.	1793360000
Version	PCB plug-in connector, male header, Flange, THT solder connection, 3.81 mm, Number of poles: 5, 90°, Solder pin length (l): 3.2 mm, tinned, black, Box
GTIN (EAN)	4032248228430
Qty.	50 pc(s).
Product data	IEC: 320 V / 17.5 A UL: 300 V / 10 A
Packaging	Box

Creation date May 3, 2020 4:02:20 PM CEST

**OMNIMATE Signal - series BC/SC 3.81
SC 3.81/05/90F 3.2SN BK BX**

Weidmüller Interface GmbH & Co. KG
Klingenbergstraße 26
D-32758 Detmold
Germany
Fon: +49 5231 14-0
Fax: +49 5231 14-292083
www.weidmueller.com

Technical data
Dimensions and weights

Width	29.65 mm	Width (inches)	1.167 inch
Height	10.3 mm	Height (inches)	0.406 inch
Height of lowest version	7.1 mm	Depth	9.2 mm
Depth (inches)	0.362 inch	Net weight	2.56 g

System specifications

Product family	OMNIMATE Signal - series BC/SC 3.81		
Type of connection	Board connection		
Mounting onto the PCB	THT solder connection		
Pitch in mm (P)	3.81 mm		
Pitch in inches (P)	0.15 inch		
Outgoing elbow	90°		
Number of poles	5		
Number of solder pins per pole	1		
Solder pin length (l)	3.2 mm		
Solder pin length tolerance	0 / -0,02 mm		
Tolerance of solder pin position	± 0.1 mm		
Solder pin dimensions	d = 1.0 mm, Octagonal		
Solder pin dimensions = d tolerance	0 / -0,03 mm		
Solder eyelet hole diameter (D)	1.2 mm		
Solder eyelet hole diameter tolerance (D)	+ 0,1 mm		
L1 in mm	15.24 mm		
L1 in inches	0.6 inch		
Number of rows	1		
Pin series quantity	1		
Touch-safe protection acc. to DIN VDE 57 106	Safe from finger touch		
Touch-safe protection acc. to DIN VDE 0470	IP 20		
Volume resistance	≤ 5mΩ		
Can be coded	Yes		
Plugging cycles	25		
Plugging force/pole, max.	7 N		
Pulling force/pole, max.	5 N		
Tightening torque	Torque type	PCB, Screw flange	
	Usage information	Tightening torque	min. 0.15 Nm max. 0.2 Nm
		Recommended screw	Part number PTSC KA 2.2X4.5 WN1412

Material data

Insulating material	PA GF	Colour	black
Colour chart (similar)	RAL 9011	Insulating material group	II
Comparative Tracking Index (CTI)	≥ 550	Insulation strength	≥ 10 ⁸ Ω
UL 94 flammability rating	V-0	GWFI	960 °C
Contact material	Copper alloy	Contact surface	tinned
Storage temperature, min.	-25 °C	Storage temperature, max.	50 °C
Max. relative humidity during storage	70 %	Operating temperature, min.	-50 °C
Operating temperature, max.	120 °C	Temperature range, installation, min.	-25 °C
Temperature range, installation, max.	120 °C		

**OMNIMATE Signal - series BC/SC 3.81
SC 3.81/05/90F 3.2SN BK BX**

Weidmüller Interface GmbH & Co. KG
Klingenbergstraße 26
D-32758 Detmold
Germany
Fon: +49 5231 14-0
Fax: +49 5231 14-292083
www.weidmueller.com


Technical data**Rated data acc. to IEC**

tested acc. to standard	IEC 60664-1, IEC 61984	Rated current, min. number of poles (Tu=20°C)	17.5 A
Rated current, max. number of poles (Tu=20°C)	17.5 A	Rated current, min. number of poles (Tu=40°C)	17.5 A
Rated current, max. number of poles (Tu=40°C)	16.3 A	Rated voltage for surge voltage class / pollution degree II/2	320 V
Rated voltage for surge voltage class / pollution degree III/2	160 V	Rated voltage for surge voltage class / pollution degree III/3	160 V
Rated impulse voltage for surge voltage class/ pollution degree II/2	2.5 kV	Rated impulse voltage for surge voltage class/ pollution degree III/2	2.5 kV
Rated impulse voltage for surge voltage class/ contamination degree III/3	2.5 kV	Short-time withstand current resistance	3 x 1s with 76 A

Rated data acc. to CSA

Rated voltage (Use group B / CSA)	300 V	Rated current (Use group B / CSA)	8 A
-----------------------------------	-------	-----------------------------------	-----

Rated data acc. to UL 1059

Institute (cURus)		Certificate No. (cURus)	E60693
Rated voltage (Use group B / UL 1059)	300 V	Rated voltage (Use group D / UL 1059)	300 V
Rated current (Use group B / UL 1059)	10 A	Rated current (Use group D / UL 1059)	10 A
Reference to approval values	Specifications are maximum values, details - see approval certificate.		

Packing

Packaging	Box	VPE length	42 mm
VPE width	70 mm	VPE height	105 mm

Classifications

ETIM 6.0	EC002637	ETIM 7.0	EC002637
eClass 9.0	27-44-04-02	eClass 9.1	27-44-04-02
eClass 10.0	27-44-04-02	UNSPSC	30-21-18-10

Notes

Notes	<ul style="list-style-type: none"> • Additional colours on request • Rated current related to rated cross-section & min. No. of poles. • Rated data refer only to the component itself. Clearance and creepage distances to other components are to be designed in accordance with the relevant application standards. • P on drawing = pitch
IPC conformity	Conformity: The products are developed, manufactured and delivered according international recognized standards and norms and comply with the assured properties in the data sheet resp. fulfill decorative properties in accordance with IPC-A-610 "Class 2". Further claims on the products can be evaluated on request.

Data sheet

**OMNIMATE Signal - series BC/SC 3.81
SC 3.81/05/90F 3.2SN BK BX**

Weidmüller Interface GmbH & Co. KG
Klingenbergstraße 26
D-32758 Detmold
Germany
Fon: +49 5231 14-0
Fax: +49 5231 14-292083
www.weidmueller.com

Technical data

Approvals

Approvals



ROHS

Conform

Downloads

Approval/Certificate/Document of
Conformity

[Declaration of the Manufacturer](#)

Brochure/Catalogue

- [FL DRIVES EN](#)
- [MB DEVICE MANUF. EN](#)
- [FL DRIVES DE](#)
- [CAT 2 PORTFOLIOGUIDE EN](#)
- [FL BUILDING SAFETY EN](#)
- [FL APPL LED LIGHTING EN](#)
- [FLIndustr.CONTROLS EN](#)
- [FL MACHINE SAFETY EN](#)
- [FL HEATING ELECTR EN](#)
- [FL APPL INVERTER EN](#)
- [FL_BASE_STATION_EN](#)
- [FL ELEVATOR EN](#)
- [FL POWER SUPPLY EN](#)
- [FL 72H SAMPLE SER EN](#)
- [PO OMNIMATE EN](#)

Engineering Data

[EPLAN_WSCAD](#)

Engineering Data

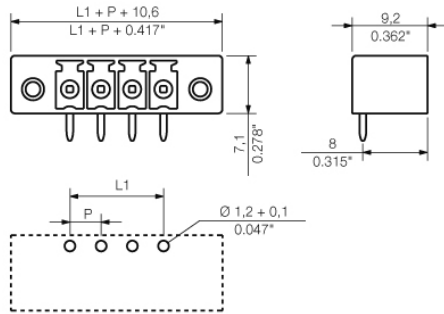
[STEP](#)

Product Change Notification

[Change of packaging - DE](#)
[Change of packaging - EN](#)

**OMNIMATE Signal - series BC/SC 3.81
SC 3.81/05/90F 3.2SN BK BX**

Weidmüller Interface GmbH & Co. KG
Klingenbergstraße 26
D-32758 Detmold
Germany
Fon: +49 5231 14-0
Fax: +49 5231 14-292083
www.weidmueller.com

Drawings**Dimensional drawing**

**OMNIMATE Signal - series BC/SC 3.81
SC 3.81/05/90F 3.2SN BK BX**

Weidmüller Interface GmbH & Co. KG
Klingenbergstraße 26
D-32758 Detmold
Germany
Fon: +49 5231 14-0
Fax: +49 5231 14-292083
www.weidmueller.com

Mating connector (conditionally pluggable)
BCZ 3.81/90


Female socket connectors with clamping-yoke screw system for connecting wires.

Three wire-outlet directions are available and provide flexible connection-level design options:

- 180° wire parallel to plugging direction
- 90° wire perpendicular and above plugging direction
- 270° wire perpendicular and below plugging direction

There are three housing shapes, covering many different requirements, to choose from:

- Standard housing without flange
- Flange with screw (F)
- Flange featuring Weidmüller's patented release latch (LR) for lock-and-release latching with no strain and no tools needed.

Weidmüller's 3.81-mm-pitch (0.15 inch) plug-in connectors are compatible with the layouts of customary connectors and offer space for labelling and coding.

General ordering data

Type	BCZ 3.81/05/90 SN OR BX	Version	Product data	Packaging
Order No.	1939860000	PCB plug-in connector, female plug, 3.81 mm, Number of poles: 5,	IEC: 320 V / 17.5 A / 0.2 - 1.5 mm ²	Box
GTIN (EAN)	4032248656967	90°, Clamping yoke connection, Clamping range, max. : 1.5 mm ² , Box	UL: 300 V / 10 A / AWG 28 - AWG 16	
Qty.	50 pc(s).			
Type	BCZ 3.81/05/90 SN BK BX	Version	Product data	Packaging
Order No.	1798570000	PCB plug-in connector, female plug, 3.81 mm, Number of poles: 5,	IEC: 320 V / 17.5 A / 0.2 - 1.5 mm ²	Box
GTIN (EAN)	4032248243228	90°, Clamping yoke connection, Clamping range, max. : 1.5 mm ² , Box	UL: 300 V / 10 A / AWG 28 - AWG 16	
Qty.	50 pc(s).			
Type	BCZ 3.81/05/90 SN GN BX	Version	Product data	Packaging
Order No.	1798720000	PCB plug-in connector, female plug, 3.81 mm, Number of poles: 5,	IEC: 320 V / 17.5 A / 0.2 - 1.5 mm ²	Box
GTIN (EAN)	4032248243303	90°, Clamping yoke connection, Clamping range, max. : 1.5 mm ² , Box	UL: 300 V / 10 A / AWG 28 - AWG 16	
Qty.	50 pc(s).			

**OMNIMATE Signal - series BC/SC 3.81
SC 3.81/05/90F 3.2SN BK BX**

Weidmüller Interface GmbH & Co. KG
Klingenbergstraße 26
D-32758 Detmold
Germany
Fon: +49 5231 14-0
Fax: +49 5231 14-292083
www.weidmueller.com

Mating connector (conditionally pluggable)
BCZ 3.81/180


Female socket connectors with clamping-yoke screw system for connecting wires.

Three wire-outlet directions are available and provide flexible connection-level design options:

- 180° wire parallel to plugging direction
- 90° wire perpendicular and above plugging direction
- 270° wire perpendicular and below plugging direction

There are three housing shapes, covering many different requirements, to choose from:

- Standard housing without flange
- Flange with screw (F)
- Flange featuring Weidmüller's patented release latch (LR) for lock-and-release latching with no strain and no tools needed.

Weidmüller's 3.81-mm-pitch (0.15 inch) plug-in connectors are compatible with the layouts of customary connectors and offer space for labelling and coding.

General ordering data

Type	BCZ 3.81/05/180 SN GN BX	Version	Product data	Packaging
Order No.	1792890000	PCB plug-in connector, female plug, 3.81 mm, Number of poles: 5,	IEC: 320 V / 17.5 A / 0.2 - 1.5 mm ²	Box
GTIN (EAN)	4032248226979	180°, Clamping yoke connection, Clamping range, max. : 1.5 mm ² ,	UL: 300 V / 10 A / AWG 28 - AWG 16	
Qty.	50 pc(s).	Box		
Type	BCZ 3.81/05/180 SN OR BX	Version	Product data	Packaging
Order No.	1940760000	PCB plug-in connector, female plug, 3.81 mm, Number of poles: 5,	IEC: 320 V / 17.5 A / 0.2 - 1.5 mm ²	Box
GTIN (EAN)	4032248656073	180°, Clamping yoke connection, Clamping range, max. : 1.5 mm ² ,	UL: 300 V / 10 A / AWG 28 - AWG 16	
Qty.	50 pc(s).	Box		
Type	BCZ 3.81/05/180 SN BK BX	Version	Product data	Packaging
Order No.	1792800000	PCB plug-in connector, female plug, 3.81 mm, Number of poles: 5,	IEC: 320 V / 17.5 A / 0.2 - 1.5 mm ²	Box
GTIN (EAN)	4032248226788	180°, Clamping yoke connection, Clamping range, max. : 1.5 mm ² ,	UL: 300 V / 10 A / AWG 28 - AWG 16	
Qty.	50 pc(s).	Box		

**OMNIMATE Signal - series BC/SC 3.81
SC 3.81/05/90F 3.2SN BK BX**

Weidmüller Interface GmbH & Co. KG
Klingenbergstraße 26
D-32758 Detmold
Germany
Fon: +49 5231 14-0
Fax: +49 5231 14-292083
www.weidmueller.com

Mating connector (conditionally pluggable)
BCZ 3.81/270


Female socket connectors with clamping-yoke screw system for connecting wires.

Three wire-outlet directions are available and provide flexible connection-level design options:

- 180° wire parallel to plugging direction
- 90° wire perpendicular and above plugging direction
- 270° wire perpendicular and below plugging direction

There are three housing shapes, covering many different requirements, to choose from:

- Standard housing without flange
- Flange with screw (F)
- Flange featuring Weidmüller's patented release latch (LR) for lock-and-release latching with no strain and no tools needed.

Weidmüller's 3.81-mm-pitch (0.15 inch) plug-in connectors are compatible with the layouts of customary connectors and offer space for labelling and coding.

General ordering data

Type	BCZ 3.81/05/270 SN BK BX	Version	Product data	Packaging
Order No.	1798960000	PCB plug-in connector, female plug, 3.81 mm, Number of poles: 5,	IEC: 320 V / 17.5 A / 0.2 - 1.5 mm ²	Box
GTIN (EAN)	4032248243747	270°, Clamping yoke connection, Clamping range, max.: 1.5 mm ² ,	UL: 300 V / 10 A / AWG 28 - AWG 16	
Qty.	50 pc(s).	Box		
Type	BCZ 3.81/05/270 SN GN BX	Version	Product data	Packaging
Order No.	1799040000	PCB plug-in connector, female plug, 3.81 mm, Number of poles: 5,	IEC: 320 V / 17.5 A / 0.2 - 1.5 mm ²	Box
GTIN (EAN)	4032248243938	270°, Clamping yoke connection, Clamping range, max.: 1.5 mm ² ,	UL: 300 V / 10 A / AWG 28 - AWG 16	
Qty.	50 pc(s).	Box		
Type	BCZ 3.81/05/270 SN OR BX	Version	Product data	Packaging
Order No.	1940220000	PCB plug-in connector, female plug, 3.81 mm, Number of poles: 5,	IEC: 320 V / 17.5 A / 0.2 - 1.5 mm ²	Box
GTIN (EAN)	4032248656615	270°, Clamping yoke connection, Clamping range, max.: 1.5 mm ² ,	UL: 300 V / 10 A / AWG 28 - AWG 16	
Qty.	50 pc(s).	Box		

**OMNIMATE Signal - series BC/SC 3.81
SC 3.81/05/90F 3.2SN BK BX**

Weidmüller Interface GmbH & Co. KG
Klingenbergstraße 26
D-32758 Detmold
Germany
Fon: +49 5231 14-0
Fax: +49 5231 14-292083
www.weidmueller.com

Mating connector (fully pluggable)
BCZ 3.81/180F


Female socket connectors with clamping-yoke screw system for connecting wires.

Three wire-outlet directions are available and provide flexible connection-level design options:

- 180° wire parallel to plugging direction
- 90° wire perpendicular and above plugging direction
- 270° wire perpendicular and below plugging direction

There are three housing shapes, covering many different requirements, to choose from:

- Standard housing without flange
- Flange with screw (F)
- Flange featuring Weidmüller's patented release latch (LR) for lock-and-release latching with no strain and no tools needed.

Weidmüller's 3.81-mm-pitch (0.15 inch) plug-in connectors are compatible with the layouts of customary connectors and offer space for labelling and coding.

General ordering data

Type	BCZ 3.81/05/180F SN BK ...	Version	Product data	Packaging
Order No.	1792980000	PCB plug-in connector, female plug, 3.81 mm, Number of poles: 5,	IEC: 320 V / 17.5 A / 0.2 - 1.5 mm ²	Box
GTIN (EAN)	4032248227068	180°, Clamping yoke connection, Clamping range, max.: 1.5 mm ² ,	UL: 300 V / 10 A / AWG 28 - AWG 16	
Qty.	50 pc(s).	Box		
Type	BCZ 3.81/05/180F SN OR ...	Version	Product data	Packaging
Order No.	1941040000	PCB plug-in connector, female plug, 3.81 mm, Number of poles: 5,	IEC: 320 V / 17.5 A / 0.2 - 1.5 mm ²	Box
GTIN (EAN)	4032248655809	180°, Clamping yoke connection, Clamping range, max.: 1.5 mm ² ,	UL: 300 V / 10 A / AWG 28 - AWG 16	
Qty.	50 pc(s).	Box		
Type	BCZ 3.81/05/180F SN GN ...	Version	Product data	Packaging
Order No.	1793070000	PCB plug-in connector, female plug, 3.81 mm, Number of poles: 5,	IEC: 320 V / 17.5 A / 0.2 - 1.5 mm ²	Box
GTIN (EAN)	4032248227150	180°, Clamping yoke connection, Clamping range, max.: 1.5 mm ² ,	UL: 300 V / 10 A / AWG 28 - AWG 16	
Qty.	50 pc(s).	Box		

**OMNIMATE Signal - series BC/SC 3.81
SC 3.81/05/90F 3.2SN BK BX**

Weidmüller Interface GmbH & Co. KG
Klingenbergstraße 26
D-32758 Detmold
Germany
Fon: +49 5231 14-0
Fax: +49 5231 14-292083
www.weidmueller.com

Mating connector (fully pluggable)
BCZ 3.81/180LR


Female socket connectors with clamping-yoke screw system for connecting wires.

Three wire-outlet directions are available and provide flexible connection-level design options:

- 180° wire parallel to plugging direction
- 90° wire perpendicular and above plugging direction
- 270° wire perpendicular and below plugging direction

There are three housing shapes, covering many different requirements, to choose from:

- Standard housing without flange
- Flange with screw (F)
- Flange featuring Weidmüller's patented release latch (LR) for lock-and-release latching with no strain and no tools needed.

Weidmüller's 3.81-mm-pitch (0.15 inch) plug-in connectors are compatible with the layouts of customary connectors and offer space for labelling and coding.

General ordering data

Type	BCZ 3.81/05/180LR SN OR ...	Version	Product data	Packaging
Order No.	1941430000	PCB plug-in connector, female plug, 3.81 mm, Number of poles: 5,	IEC: 320 V / 17.5 A / 0.2 - 1.5 mm ²	Box
GTIN (EAN)	4032248698356	180°, Clamping yoke connection, Clamping range, max.: 1.5 mm ² ,	UL: 300 V / 10 A / AWG 28 - AWG 16	
Qty.	50 pc(s).	Box		
Type	BCZ 3.81/05/180LR SN BK ...	Version	Product data	Packaging
Order No.	1941810000	PCB plug-in connector, female plug, 3.81 mm, Number of poles: 5,	IEC: 320 V / 17.5 A / 0.2 - 1.5 mm ²	Box
GTIN (EAN)	4032248698738	180°, Clamping yoke connection, Clamping range, max.: 1.5 mm ² ,	UL: 300 V / 10 A / AWG 28 - AWG 16	
Qty.	50 pc(s).	Box		
Type	BCZ 3.81/05/180LR SN GN ...	Version	Product data	Packaging
Order No.	1941620000	PCB plug-in connector, female plug, 3.81 mm, Number of poles: 5,	IEC: 320 V / 17.5 A / 0.2 - 1.5 mm ²	Box
GTIN (EAN)	4032248698547	180°, Clamping yoke connection, Clamping range, max.: 1.5 mm ² ,	UL: 300 V / 10 A / AWG 28 - AWG 16	
Qty.	50 pc(s).	Box		

**OMNIMATE Signal - series BC/SC 3.81
SC 3.81/05/90F 3.2SN BK BX**

Weidmüller Interface GmbH & Co. KG
Klingenbergstraße 26
D-32758 Detmold
Germany
Fon: +49 5231 14-0
Fax: +49 5231 14-292083
www.weidmueller.com

Mating connector (fully pluggable)
BCZ 3.81/270F


Female socket connectors with clamping-yoke screw system for connecting wires.

Three wire-outlet directions are available and provide flexible connection-level design options:

- 180° wire parallel to plugging direction
- 90° wire perpendicular and above plugging direction
- 270° wire perpendicular and below plugging direction

There are three housing shapes, covering many different requirements, to choose from:

- Standard housing without flange
- Flange with screw (F)
- Flange featuring Weidmüller's patented release latch (LR) for lock-and-release latching with no strain and no tools needed.

Weidmüller's 3.81-mm-pitch (0.15 inch) plug-in connectors are compatible with the layouts of customary connectors and offer space for labelling and coding.

General ordering data

Type	BCZ 3.81/05/270F SN GN ...	Version	Product data	Packaging
Order No.	1799200000	PCB plug-in connector, female plug, 3.81 mm, Number of poles: 5,	IEC: 320 V / 17.5 A / 0.2 - 1.5 mm ²	Box
GTIN (EAN)	4032248244096	270°, Clamping yoke connection, Clamping range, max.: 1.5 mm ² ,	UL: 300 V / 10 A / AWG 28 - AWG 16	
Qty.	50 pc(s).	Box		
Type	BCZ 3.81/05/270F SN OR ...	Version	Product data	Packaging
Order No.	1940490000	PCB plug-in connector, female plug, 3.81 mm, Number of poles: 5,	IEC: 320 V / 17.5 A / 0.2 - 1.5 mm ²	Box
GTIN (EAN)	4032248656349	270°, Clamping yoke connection, Clamping range, max.: 1.5 mm ² ,	UL: 300 V / 10 A / AWG 28 - AWG 16	
Qty.	50 pc(s).	Box		
Type	BCZ 3.81/05/270F SN BK ...	Version	Product data	Packaging
Order No.	1799120000	PCB plug-in connector, female plug, 3.81 mm, Number of poles: 5,	IEC: 320 V / 17.5 A / 0.2 - 1.5 mm ²	Box
GTIN (EAN)	4032248244010	270°, Clamping yoke connection, Clamping range, max.: 1.5 mm ² ,	UL: 300 V / 10 A / AWG 28 - AWG 16	
Qty.	50 pc(s).	Box		

**OMNIMATE Signal - series BC/SC 3.81
SC 3.81/05/90F 3.2SN BK BX**

Weidmüller Interface GmbH & Co. KG
Klingenbergstraße 26
D-32758 Detmold
Germany
Fon: +49 5231 14-0
Fax: +49 5231 14-292083
www.weidmueller.com

Mating connector (fully pluggable)
BCZ 3.81/90F


Female socket connectors with clamping-yoke screw system for connecting wires.

Three wire-outlet directions are available and provide flexible connection-level design options:

- 180° wire parallel to plugging direction
- 90° wire perpendicular and above plugging direction
- 270° wire perpendicular and below plugging direction

There are three housing shapes, covering many different requirements, to choose from:

- Standard housing without flange
- Flange with screw (F)
- Flange featuring Weidmüller's patented release latch (LR) for lock-and-release latching with no strain and no tools needed.

Weidmüller's 3.81-mm-pitch (0.15 inch) plug-in connectors are compatible with the layouts of customary connectors and offer space for labelling and coding.

General ordering data

Type	BCZ 3.81/05/90F SN BK BX	Version	Product data	Packaging
Order No.	1798800000	PCB plug-in connector, female plug, 3.81 mm, Number of poles: 5,	IEC: 320 V / 17.5 A / 0.2 - 1.5 mm ²	Box
GTIN (EAN)	4032248243488	90°, Clamping yoke connection, Clamping range, max. : 1.5 mm ² , Box	UL: 300 V / 10 A / AWG 28 - AWG 16	
Qty.	50 pc(s).			
Type	BCZ 3.81/05/90F SN OR BX	Version	Product data	Packaging
Order No.	1940010000	PCB plug-in connector, female plug, 3.81 mm, Number of poles: 5,	IEC: 320 V / 17.5 A / 0.2 - 1.5 mm ²	Box
GTIN (EAN)	4032248656813	90°, Clamping yoke connection, Clamping range, max. : 1.5 mm ² , Box	UL: 300 V / 10 A / AWG 28 - AWG 16	
Qty.	50 pc(s).			
Type	BCZ 3.81/05/90F SN GN BX	Version	Product data	Packaging
Order No.	1798880000	PCB plug-in connector, female plug, 3.81 mm, Number of poles: 5,	IEC: 320 V / 17.5 A / 0.2 - 1.5 mm ²	Box
GTIN (EAN)	4032248243563	90°, Clamping yoke connection, Clamping range, max. : 1.5 mm ² , Box	UL: 300 V / 10 A / AWG 28 - AWG 16	
Qty.	50 pc(s).			

OMNIMATE Signal - series BC/SC 3.81 SC 3.81/05/90F 3.2SN BK BX

Weidmüller Interface GmbH & Co. KG
 Klingenbergstraße 26
 D-32758 Detmold
 Germany
 Fon: +49 5231 14-0
 Fax: +49 5231 14-292083
 www.weidmueller.com

Accessories

LED Light guides



Effective: the link between LED and front panel.

Floodlight indicators allow users to monitor the switching states without requiring a special design: optical plastic directs the light from standard LEDs around a bend into the connectors or through the front plate.

The fibre-optic elements are simply clipped behind the relevant 90° bend male connectors (90° outlet direction). Versions with different incoming light beam heights achieve maximum light efficiency for LEDs with different designs or heights.

The advantages compared to conventional solutions:

- No additional LED circuit board required behind the front panel
- No "long-legged" LEDs with separate mounting required
- Bent fibre-optic cable line for maximum light efficiency
- Uncomplicated front plate bore holes due to circular shape of outgoing light beam
- Easy to maintain correct clearance and creepage distance
- Can be partitioned for smaller pole numbers

The result: simplified manufacturing process, reduced costs and simplified design

General ordering data

Type	SC 3.81 FLA 2.3/14.25	Version	Product data	Packaging
Order No.	1979750000	PCB plug-in connector, Accessories, Flood-light display, Transparent,		Box
GTIN (EAN)	4032248752478	Number of poles: 8		
Qty.	50 pc(s).			
Type	SC 3.81 FLA 2.3/16	Version	Product data	Packaging
Order No.	1979740000	PCB plug-in connector, Accessories, Flood-light display, Transparent,		Box
GTIN (EAN)	4032248752461	Number of poles: 8		
Qty.	50 pc(s).			
Type	SC 3.81 FLA 1.5/14.25	Version	Product data	Packaging
Order No.	1979730000	PCB plug-in connector, Accessories, Flood-light display, Transparent,		Box
GTIN (EAN)	4032248752454	Number of poles: 8		
Qty.	50 pc(s).			
Type	SC 3.81 FLA 1.5/16	Version	Product data	Packaging
Order No.	1979720000	PCB plug-in connector, Accessories, Flood-light display, Transparent,		Box
GTIN (EAN)	4032248752447	Number of poles: 8		
Qty.	50 pc(s).			

OMNIMATE Signal - series BC/SC 3.81 SC 3.81/05/90F 3.2SN BK BX

Weidmüller Interface GmbH & Co. KG
 Klingenbergstraße 26
 D-32758 Detmold
 Germany
 Fon: +49 5231 14-0
 Fax: +49 5231 14-292083
 www.weidmueller.com

Accessories

Coding elements



Only connects what is supposed to be connected: the right connection at the right place.

Coding elements and locking devices clearly assign connecting elements during the manufacturing process and operation

The coding elements and locking devices are inserted prior to assembly or during the cable assembly phase. The Weidmüller alternative: configure online using the variant configurator to precode prior to delivery.

Incorrect assembly on the circuit board and incorrect plugging of connecting elements is no longer possible. The advantage: no troubleshooting during manufacture and no operational errors by the user.

General ordering data

Type	SC-SMT 3.81 KO GY BX	Version	Product data	Packaging
Order No.	1968900000	PCB plug-in connector, Accessories, Coding element, grey, Number of		Box
GTIN (EAN)	4032248772865	poles: 6		
Qty.	100 pc(s).			

Additional accessories



No task is too small when creating the perfect solution.

Connections form just one part of the overall process. Small details are often the key to the perfect solution in applications where potentials are tested, grouped or even isolated.

A system is not a system without small but useful details:

- Test plugs - ensure reliable pick-up from diagnostic sockets
- Cross-connectors - ensure a stable electrical distribution contact directly at the connection
- Compartment partition elements - divide a large number of male connectors into several separate socket connector channels
- Locks and clips - optional vibration-resistant clip-on connection or mounting for male and female connectors

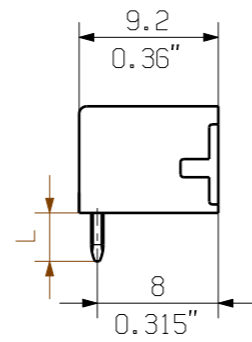
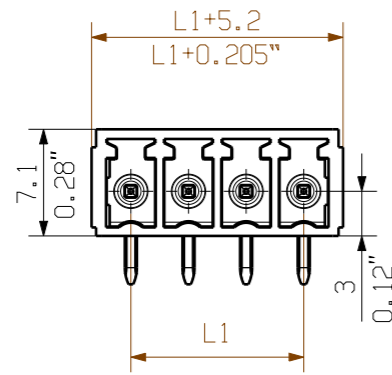
In tandem with the manufacturing process and application - more accessories = smaller workload

General ordering data

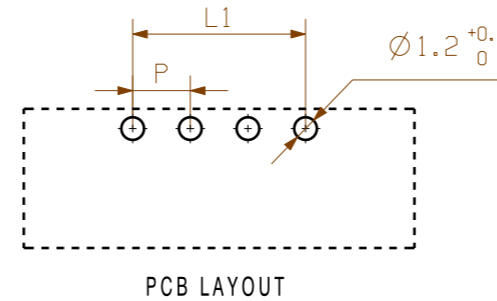
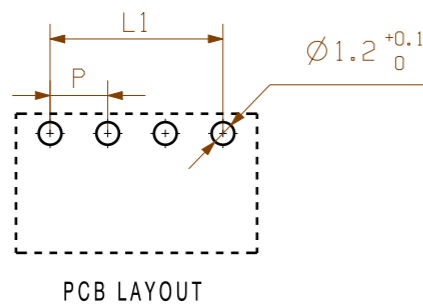
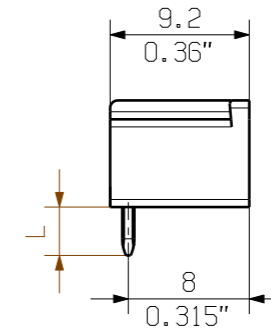
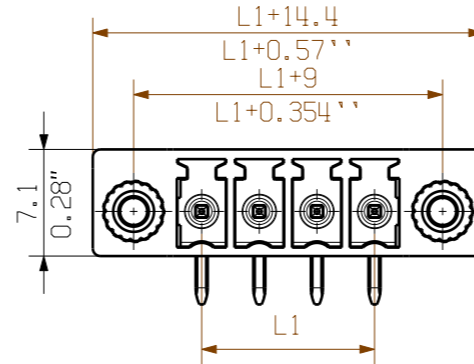
Type	PTSC KA 2.2X4.5 WN1412	Version	Product data
Order No.	1610740000	PCB plug-in connector, Accessories, Mounting screw, Number of	
GTIN (EAN)	4008190039523	poles: 1	
Qty.	100 pc(s).		

08

SC 3.81/.../90G 3.2....



SC 3.81/.../90F 3.2...



KUNDENZEICHUNG
CUSTOMER DRAWING

P=3.81

20	72.39	2.850
19	68.58	2.700
18	64.77	2.550
17	60.96	2.400
16	57.15	2.250
15	53.34	2.100
14	49.53	1.950
13	45.72	1.800
12	41.91	1.650
11	38.10	1.500
10	34.29	1.350
9	30.48	1.200
8	26.67	1.050
7	22.86	0.900
6	19.05	0.750
5	15.24	0.600
4	11.43	0.450
3	7.62	0.300
2	3.81	0.150
N	L1 [mm]	L1 [inch]

For the mounting of PCBs, it should be noted that the rated data given in the catalogue relates only to the connection elements. The necessary creepage and clearance paths must be observed in connection with the respective applicant in accordance to VDE 0110. The current-carrying capacity and pitch tolerance is to be determined according to DIN IEC 326 part 3 very fine.

Weidmüller connectors are tested to the DIN VDE 0627 standard, and are valid for its field of application. Provided that the connectors are used to the intended purpose, all requirements with respect to the occurring of electrical, mechanical, thermic and corrosive stress will be satisfied.

GENERAL TOLERANCE: DIN ISO 2768-m		97482/0 06.09.17 MA_J 01		Weidmüller		C 40384 08	
RoHS COMPLIANT		Max. nos.		Modification		Drawing no. Issue no.	
Scale: 5/1		Supersedes: .		Date Name		Sheet 01 of 02 sheets	
				Drawn 09.02.2006 ZHANG_H		SC 3.81/.../90...3.2.... ANSCHLUSS STIFTLISTE PIN HEADER	
				Responsible MA_J			
				Checked 13.09.2017 ZHOU_N			
				Approved XU_S		Product file: SC 3.81 7069	

The reproduction, distribution and utilization of this document as well as the communication of its contents without explicit authorization is prohibited. Offenders will be held liable for the payment of damages. Weidmüller exclusively reserves the right to file for patents, utility models or designs.

© Weidmüller Interface GmbH & Co. KG

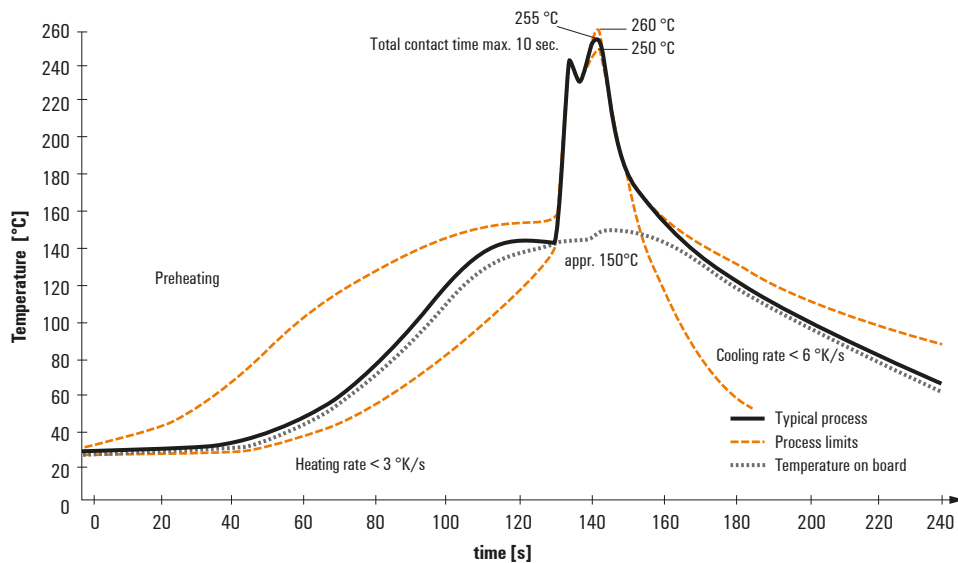
Recommended wave soldering profiles

Weidmüller Interface GmbH & Co. KG
 Klängenbergstraße 16
 D-32758 Detmold
 Germany
 Fon: +49 5231 14-0
 Fax: +49 5231 14-292083
 www.weidmueller.com

Single Wave:



Double Wave:



Wave soldering profiles

Wired connection elements should be processed in accordance with the DIN EN 61760-1 standard. We have included two recommendations for practical wave soldering profiles, with which Weidmüller PCB terminals and connectors are qualified.

When choosing a suitable profile for your application, the following factors also need to be considered:

- PCB thickness
- Proportion of Cu in the layers
- Single/double-sided assembly
- Product range
- Heating and cooling rates

The single and double wave profiles each indicate the recommended operating range, including the maximum soldering temperature of 260°C. In practice, the maximum soldering temperature is quite often well below the above maximum profile.