

**HDC insert
HDC S6 6 SAS****Weidmüller Interface GmbH & Co. KG**

Klingenbergstraße 26

D-32758 Detmold

Germany

Fon: +49 5231 14-0

Fax: +49 5231 14-292083

www.weidmueller.com



The MixMate series of connectors can simultaneously transmit high rated currents and voltages as well as signals. An axial screw can be used to secure the wire.
Axial screw connection TOP connection

General ordering data

Type	HDC S6 6 SAS
Order No.	1790030000
Version	HDC insert, Pin, 690 V, 100 A, Number of poles: 12, Axial screw connection, Size: 8
GTIN (EAN)	4032248212095
Qty.	1 pc(s).

Creation date May 3, 2020 3:15:42 PM CEST

Catalogue status 17.04.2020 / We reserve the right to make technical changes.

**HDC insert
HDC S6 6 SAS**

Weidmüller Interface GmbH & Co. KG
 Klingenbergstraße 26
 D-32758 Detmold
 Germany
 Fon: +49 5231 14-0
 Fax: +49 5231 14-292083
 www.weidmueller.com

Technical data**Dimensions and weights**

Width	34 mm	Width (inches)	1.339 inch
Height	47.8 mm	Height (inches)	1.882 inch
Depth	111 mm	Depth (inches)	4.37 inch
Net weight	286 g		

Temperatures

Limit temperature	-40 °C ... 125 °C
-------------------	-------------------

Environmental Product Compliance

REACH SVHC	Lead 7439-92-1
------------	----------------

Dimensions

Height of plug	47.8 mm	Total length base	111 mm
----------------	---------	-------------------	--------

General data

Insulating material	PC glass-fibre reinforced (UL-listed and railway-certified)	Insulating material group	IIIa
Insulation strength	$10^{10} \Omega$	Material	Copper alloy
Number of poles	12	Number of power contacts	6
Number of signal contacts	6	Plugging cycles, silver	≥ 500
Pollution severity	3	Rated current (DIN EN 61984)	100 A
Rated impulse voltage (DIN EN 61984)	8 kV	Rated voltage (DIN EN 61984)	690 V
Rated voltage according to UL/CSA	600 V AC/DC	Series	MixMate
Size	8	Surface finish	Silver passivated
Type	Pin	UL 94 flammability rating	V-0
Volume resistance	$\leq 1 \text{ m}\Omega$		

Connection data PE

Connection type PE	Screw connection	Rated cross-section	35 mm ²
Stripping length PE connection	8 mm	Tightening torque, max. PE connection	8 Nm
Tightening torque, min. PE connection	6 Nm	Wire connection cross section, finely stranded, max.	35 mm ²
Wire connection cross-section, finely stranded, min.	16 mm ²	Wire cross section, AWG (PE), max.	AWG 2
Wire cross section, AWG (PE), min.	AWG 6		

Power contact

Clamping range, power contact, max.	35 mm ²	Clamping range, power contact, min.	16 mm ²
Number of poles, performance contact	6	Rated current (DIN EN 61984), power contact	100 A
Rated impulse voltage (DIN EN 61984), power contact	8 kV	Rated voltage (DIN EN 61984), power contact	690 V
Stripping length, performance contact	13 mm	Tightening torque, power contact, max.	8 Nm
Tightening torque, power contact, min.	6 Nm	Type of connection, power contact	Axial screw connection

**HDC insert
HDC S6 6 SAS**

Weidmüller Interface GmbH & Co. KG
 Klingenbergstraße 26
 D-32758 Detmold
 Germany
 Fon: +49 5231 14-0
 Fax: +49 5231 14-292083
 www.weidmueller.com

Technical data**Signal contact**

AF size	SD 0.6 x 3.5	Clamping range, signal contact, max.	2.5 mm ²
Clamping range, signal contact, min.	0.5 mm ²	Number of poles, signal	6
Rated current (DIN EN 61984), signal	16 A	Rated impulse voltage (DIN EN 61984), signal	6 kV
Rated voltage (DIN EN 61984), signal contact	400 V	Stripping length, signal	12 mm
Tightening torque, signal contact, max.	0.8 Nm	Tightening torque, signal contact, min.	0.4 Nm
Type of connection, signal	Screw connection		

Version

Clamping screw	M 7 x 0.75 mm	Conductor cross-section, max.	35 mm ²
Conductor cross-section, min.	16 mm ²	Material	Copper alloy
Size	8	Stripping length, rated connection	13 mm
Surface finish	Silver passivated	Type of connection	Axial screw connection
Volume resistance	≤ 1 mΩ	Wire connection cross section AWG, max.	AWG 2
Wire connection cross section AWG, min.	AWG 6	Wire connection cross section, finely stranded, max.	35 mm ²
Wire connection cross-section, finely stranded, min.	16 mm ²		

Classifications

ETIM 6.0	EC000438	ETIM 7.0	EC000438
eClass 9.0	27-44-02-05	eClass 9.1	27-44-02-05
eClass 10.0	27-44-02-05	UNSPSC	30-21-18-01

Approvals

Approvals



ROHS

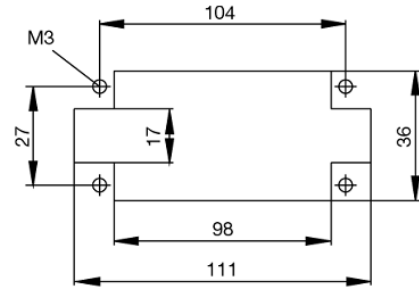
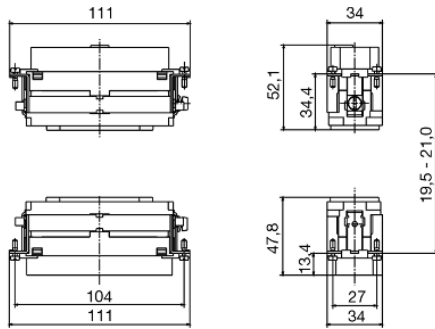
Conform

Downloads

Brochure/Catalogue	CAT 3 HDC 17/18 EN FL FIELDWIRING EN
Engineering Data	EPLAN, WSCAD, Zuken E3.S
Engineering Data	STEP

**HDC insert
HDC S6 6 SAS**

Weidmüller Interface GmbH & Co. KG
Klingenbergstraße 26
D-32758 Detmold
Germany
Fon: +49 5231 14-0
Fax: +49 5231 14-292083
www.weidmueller.com

Drawings

Data sheet

**HDC insert
HDC S6 6 SAS**

Weidmüller Interface GmbH & Co. KG
 Klingenbergstraße 26
 D-32758 Detmold
 Germany
 Fon: +49 5231 14-0
 Fax: +49 5231 14-292083
 www.weidmueller.com

Accessories

Slotted screwdriver

Slotted screwdriver with rounded blade SD DIN 5265, ISO 2380/2, output to DIN 5264, ISO 2380/1. ChromTop tip, SoftFinish grip



General ordering data

Type	SDS 0.6X3.5X100	Version
Order No.	9008330000	Screwdriver, Blade width (B): 3.5 mm, Blade length: 100 mm, Blade thickness (A): 0.6 mm
GTIN (EAN)	4032248056286	
Qty.	1 pc(s).	

Slotted screwdriver

VDE insulated slot-head screwdriver, SDI DIN 7437, ISO 2380/2, drive output acc. to DIN 5264, ISO 2380/1. SoftFinish grip



General ordering data

Type	SDIS 0.6X3.5X100	Version
Order No.	9008390000	Screwdriver, Blade width (B): 3.5 mm, Blade length: 100 mm, Blade thickness (A): 0.6 mm
GTIN (EAN)	4032248056354	
Qty.	1 pc(s).	

Tightening torques and screwing tools

Screw size	Connector type	Dia. tightening torque in Nm	Recommended blade inserts and AF size for hexagon socket	
M 2.5	Signal contacts			
	S 6/6	0.5 - 0.55	SD 0.6 x 3.5 mm or PZ0	
	S 6/12	0.5 - 0.55	SD 0.6 x 3.5 mm or PZ0	
M 2.9 x 0.5	Fastening screws			
	HQ 4/2	0.8 (plastic) / 1.1 (metal)	SD 0.6 x 3.5 mm or PH0	
	HQ 8	0.8 (plastic) / 1.1 (metal)	SD 0.6 x 3.5 mm or PH0	
	HQ 17	0.8 (plastic) / 1.1 (metal)	SD 0.6 x 3.5 mm or PH0	
M 3	Contact screws			
	HA 3	0.5 - 0.55	SD 0.5 x 3.0 mm	
	HA 4	0.5 - 0.55	SD 0.5 x 3.0 mm	
	HA 10 bis HA 48	0.5 - 0.55	SD 0.6 x 3.5 mm or PH0	
	HE	0.5 - 0.55	SD 0.6 x 3.5 mm or PZ0	
	HVE	0.5 - 0.55	SD 0.6 x 3.5 mm or PZ0	
	Signal contacts:			
	S 4/2	0.5 - 0.55	SD 0.6 x 3.5 mm or PZ0	
	S 4/8	0.5 - 0.55	SD 0.6 x 3.5 mm or PZ0	
	PE connection via female contact			
	S 4	0.5 - 0.8	SD 0.6 x 3.5 mm	
	ConCept modular frame, metal	0.5 - 0.55	SD 0.6 x 3.5 mm	
	PE terminal			
	HQ 5	0.5 - 0.55	SD 0.6 x 3.5 or 0.8 x 4 mm	
	HQ 7	0.5 - 0.55	SD 0.6 x 3.5 or 0.8 x 4 mm	
	Fastening screws	0.5 - 0.55	SD 0.6 x 3.5 mm or PZ0	
	Guide pin	0.5 - 0.55	SD 0.6 x 3.5 mm or PZ0	
	Guide bush	0.5 - 0.55	SD 0.6 x 3.5 mm or PZ0	
	Coding pins	0.5 - 0.55	SD 0.6 x 3.5 mm or PZ0	
	M 4	Contact screws		
		HSB	1.2 - 1.5	SD 0.6 x 3.5 or 0.8 x 4 mm or PZ1
		PE connection via male contact		
S 4		0.5 - 0.8	SD 0.6 x 3.5 mm	
ConCept modular frame, metal		1.2 - 1.5	SD 0.6 x 3.5 mm	
PE terminal				
HA		1.2 - 1.5	SD 0.6 x 3.5 or 0.8 x 4 mm or PH1	
HE		1.2 - 1.5	SD 0.6 x 3.5 or 0.8 x 4 mm or PH1	
HEE		1.2 - 1.5	SD 0.6 x 3.5 or 0.8 x 4 mm or PH1	
HVE		1.2 - 1.5	SD 0.6 x 3.5 or 0.8 x 4 mm or PH1	
HD		1.2 - 1.5	SD 0.6 x 3.5 or 0.8 x 4 mm or PZ1	
HDD		1.2 - 1.5	SD 0.6 x 3.5 or 0.8 x 4 mm or PZ1	
S 6/6 (for signal contacts)		1.2 - 1.5	0.8 x 4 mm or PZ1	
ConCept modular frame, plastic		1.2 - 1.5	0.8 x 4 mm or PZ1	
M 5		PE terminal		
		HSB	2 - 2.5	SD 1 x 5.5 mm or PZ2
		S 4/0 (Screw connection)	2 - 2.5	SD 1.2 x 6.5 mm or PH2
	S 4/0 (Axial screw connection)	2 - 2.5	SD 0.8 x 4 mm or PZ 2	
	S 4/2	2 - 2.5	SD 1.2 x 6.5 mm or PH2	
	S 4/8	2 - 2.5	SD 1.2 x 6.5 mm or PH2	
	S 6/12	2 - 2.5	SD 0.8 x 4 mm or PZ 2	
	S 6/36	2 - 2.5	SD 1.2 x 6.5 mm or PH2	
	S 8/24	2 - 2.5	SD 1.2 x 6.5 mm or PH2	
	S 12/2	2 - 2.5	SD 1.2 x 6.5 mm or PH2	
	M 6	Power contacts		
S 4/0 (Screw connection)		1.2 (1.5 mm ²) / 2 (2.5 mm ²) / 3 (4-16 mm ²)	SD 0.8 x 4 mm	
S 4/2		1.2 (1.5 mm ²) / 2 (2.5 mm ²) / 3 (4-16 mm ²)	SD 0.8 x 4 mm	
S 4/8		1.2 (1.5 mm ²) / 2 (2.5 mm ²) / 3 (4-16 mm ²)	SD 0.8 x 4 mm	
M 7 x 0.75	Power contacts			
	S 4	1.1 - 1.7	SW 2	
	S 6/6 (+ PE)	6 - 8	SW 4	
M 8 x 0.75	Power contacts			
	S 6/12	1.1 - 1.7	SW 2	
	S 8/0 (+ PE)	6 (10-16 mm ²) - 7 (25 mm ²)	SW 4	
M10 x 1	Power contacts			
	S 4/0 (Axial connection)	2 - 3	SW 3	

Increasing the tightening torque does not improve the contact resistance. The stated torque settings offer optimal mechanical, thermal and electrical conditions. Exceeding the recommended values may even damage the conductor and terminal.