

SAI Passive SAI-4-F 3P M8 PUR 10M

Weidmüller Interface GmbH & Co. KG
 Klingenbergstraße 26
 D-32758 Detmold
 Germany
 Fon: +49 5231 14-0
 Fax: +49 5231 14-292083
 www.weidmueller.com



The new slim M8 line from Weidmüller. This range of products is characterised by the marking options at all connection positions. Even the 4-way distributor with 8-pole M12 has adequately large markers at all M8 connection positions. Furthermore, this distributor is shorter than many conventional M8 designs.

- Very narrow, short and flat M8 distributor.
- The range is supplied with 4 to 12 M8 connection positions, 3 or 4 poles.
- Hybrid variants of the M8 are also possible on request.
- The M8 line is equipped with transverse holes.

General ordering data

Type	SAI-4-F 3P M8 PUR 10M
Order No.	1784630000
Version	SAI Passive, Sensor-actuator passive distributor, M8, Fixed cable version, 10 m, Yes
GTIN (EAN)	4032248191444
Qty.	1 pc(s).

Creation date May 3, 2020 2:09:24 PM CEST

Catalogue status 17.04.2020 / We reserve the right to make technical changes.

SAI Passive
SAI-4-F 3P M8 PUR 10M

Weidmüller Interface GmbH & Co. KG
 Klingenbergstraße 26
 D-32758 Detmold
 Germany
 Fon: +49 5231 14-0
 Fax: +49 5231 14-292083
 www.weidmueller.com

Technical data**Dimensions and weights**

Width	48 mm	Width (inches)	1.89 inch
Height	27 mm	Height (inches)	1.063 inch
Depth	100 mm	Depth (inches)	3.937 inch
Net weight	684 g		

Temperatures

Operating temperature range, max.	80 °C	Operating temperature range, min.	-20 °C
Operating temperature, max.	80 °C	Operating temperature, min.	-20 °C
Operating temperature	-20 - 80°C		

Environmental Product Compliance

REACH SVHC	Lead 7439-92-1
------------	----------------

Connection data

Distributor outlet	Fixed cable version
--------------------	---------------------

Standards

Certificate No. (cURus)	E92202
-------------------------	--------

Electrical data

Rated voltage, min.	10 V	Rated voltage, max.	30 V
Test voltage	1 kV	Max. current-carrying capacity per slot	2 A
Total current	8 A	Current per signal	2 A
Electrical isolation available	Yes	Insulation strength	10 ⁹ Ω

General technical data

Protection degree	IP68	Number of poles	3
Number of contact sockets	4	Connection thread	M8
Pollution severity	3	Fire behaviour	V-0
LED	Yes	LED initiator	Yes
LED colour for indicating operation	green	LED colour for I/O function	yellow

Material data

Housing main material	Pocan	Material of distributor	Plastic
Housing colour	grey, RAL 7032	Screw socket	Nickel-plated CuZn
Contact material	CuZn	Contact surface	Gold-plated
Contact carrier material	PBT (UL 94 V0)		

Data sheet

**SAI Passive
SAI-4-F 3P M8 PUR 10M**

Weidmüller Interface GmbH & Co. KG
 Klingenbergstraße 26
 D-32758 Detmold
 Germany
 Fon: +49 5231 14-0
 Fax: +49 5231 14-292083
 www.weidmueller.com

Technical data

Technical data cable

Cable length	10 m	Suitable for cable carriers	Yes
Number of poles	3	Wire cross section	4 x 0.34 mm ² + 2 x 0.75 mm ²
O.D.	6.6 mm	Shielded	No
Colour coding	white, green, grey, yellow, blue, brown	Sheath material	PUR
Sheathing colour	black	Halogen	No
Bending radius, min., moving	10 x cable diameter	Bending cycles	1 mill.

Classifications

ETIM 6.0	EC002585	ETIM 7.0	EC002585
eClass 9.0	27-44-01-08	eClass 9.1	27-44-01-08
eClass 10.0	27-44-01-08	UNSPSC	30-21-18-01

Approvals

Approvals



ROHS Conform

Downloads

Brochure/Catalogue	CAT 8 SAI 15/16 EN FL FIELDWIRING EN
Engineering Data	WSCAD

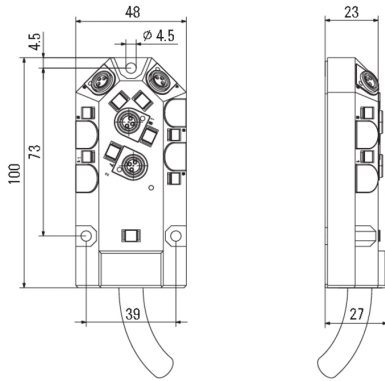
Data sheet

**SAI Passive
SAI-4-F 3P M8 PUR 10M**

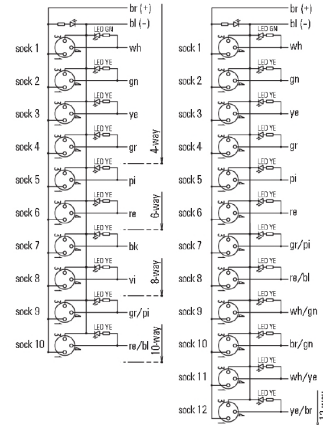
Weidmüller Interface GmbH & Co. KG
 Klingenbergstraße 26
 D-32758 Detmold
 Germany
 Fon: +49 5231 14-0
 Fax: +49 5231 14-292083
 www.weidmueller.com

Drawings

Dimensioned drawing



Wiring diagram



Data sheet

**SAI Passive
SAI-4-F 3P M8 PUR 10M**

Weidmüller Interface GmbH & Co. KG
 Klingenbergstraße 26
 D-32758 Detmold
 Germany
 Fon: +49 5231 14-0
 Fax: +49 5231 14-292083
 www.weidmueller.com

Accessories

M8

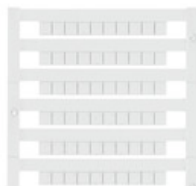


Protective caps protect unassigned plug-in stations against external influences.

General ordering data

Type	SAI-SK M8	Version
Order No.	1802760000	Protected component assemblies, Protective cap
GTIN (EAN)	4032248257379	
Qty.	50 pc(s).	

Blank



The Dekafix (DEK) marker is the universal marker for all conductor and plug-in connectors as well as for electronic sub-assemblies. The system is ideal for short number sequences and covers a wide range of ready-printed markers.

Strips for fast installation in only one work step. The printing is easy to read, rich in contrast and available in various widths.

- Large range of ready-to-use markers
- Strips for fast installation
- Terminal markers, suitable for all Weidmüller cable connectors
- Available as blank MultiCard or with standard printing

For custom printing: Please send us a file of our labeling software M-Print PRO or M-Print PRO Online (without installation) for your labeling specifications.

General ordering data

Type	DEK 5/5 MC NE WS	Version
Order No.	1609801044	Dekafix, Terminal marker, 5 x 5 mm, Pitch in mm (P): 5.00
GTIN (EAN)	4008190397111	Weidmueller, white
Qty.	1,000 pc(s).	

Data sheet**SAI Passive
SAI-4-F 3P M8 PUR 10M**

Weidmüller Interface GmbH & Co. KG
Klingenbergstraße 26
D-32758 Detmold
Germany
Fon: +49 5231 14-0
Fax: +49 5231 14-292083
www.weidmueller.com

Accessories**Tool**

Tools for stripping the sheathing from uncut power lines and outlet lines, plus screwdrivers for installing Pick-to-Light components.

General ordering data

Type	SCREWTY SET -DM	Version
Order No.	1920000000	Tools, Bolting tool
GTIN (EAN)	4032248436859	
Qty.	1 pc(s).	