

SAI-Y-5S PARA 2M12**Weidmüller Interface GmbH & Co. KG**

Klingenbergstraße 26

D-32758 Detmold

Germany

Fon: +49 5231 14-0

Fax: +49 5231 14-292083

www.weidmueller.com



Individual cable lengths are often required nowadays. In order to meet these demands, Weidmüller offers a wide range of plug-in connectors for custom assembly. Y-distributors are used to bundle and distribute multiple signals to save space.

General ordering data

Type	SAI-Y-5S PARA 2M12
Order No.	1783430000
Version	Y-plug, M12 / M12
GTIN (EAN)	4032248183364
Qty.	1 pc(s).

SAI-Y-5S PARA 2M12**Weidmüller Interface GmbH & Co. KG**

Klingenbergstraße 26

D-32758 Detmold

Germany

Fon: +49 5231 14-0

Fax: +49 5231 14-292083

www.weidmueller.com

Technical data**Dimensions and weights**

Net weight 23 g

Environmental Product Compliance

REACH SVHC Lead 7439-92-1

Connection data

Group outlet - plug-in connector	M12 pin	Single outlet 1 - plug-in connector	M12 socket
Single outlet 2 - plug-in connector	M12 socket	Tightening torque	M12: 0.8 - 1.2 Nm

General data

Coding	A	Conductor O.D.	-
Connection thread	M12 / M12	Contact material, pin	CuZn
Contact material, socket	CuZn	Contact surface	Au (Gold)
Housing main material	PBT	Number of poles	5
Pollution severity	3	Protection degree	IP67
Rated current	4 A	Rated voltage	24 V
Shield connection	No	Temperature range of housing	-25...+90 °C

Classifications

ETIM 6.0	EC002925	ETIM 7.0	EC002925
eClass 9.0	27-44-01-06	eClass 9.1	27-44-01-06
eClass 10.0	27-44-01-06	UNSPSC	30-21-18-10

Approvals

Approvals



ROHS Conform

Downloads

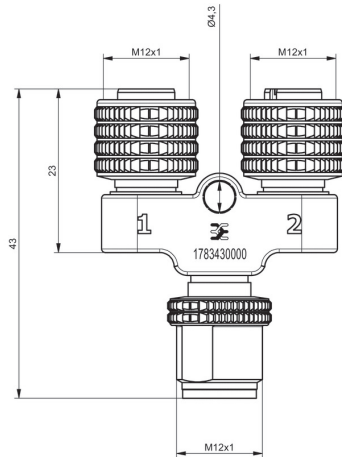
Brochure/Catalogue [CAT 8 SAI 15/16 EN](#)
[FL FIELDWIRING EN](#)

SAI-Y-5S PARA 2M12

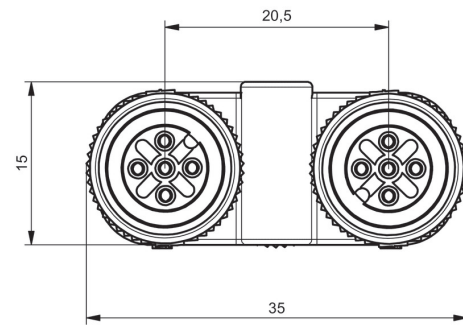
Weidmüller Interface GmbH & Co. KG
 Klingenbergstraße 26
 D-32758 Detmold
 Germany
 Fon: +49 5231 14-0
 Fax: +49 5231 14-292083
 www.weidmueller.com

Drawings

Dimensioned drawing

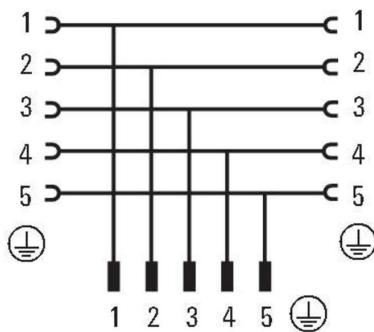


Dimensioned drawing



Wiring diagram

1. Female M12 2. Female M12



Male M12