

**SAI Passive
SAI-8-MMH 5P M12 ZF**
Weidmüller Interface GmbH & Co. KG

Klingenbergstraße 26

D-32758 Detmold

Germany

Fon: +49 5231 14-0

Fax: +49 5231 14-292083

www.weidmueller.com


Some applications require complete shielding from the sensor to the control. Our metal SAI distributors achieve this complete shielding. EMC glands are included with the distributors. Initiator LEDs are omitted.

They are available in 4- and 8-way M12 versions with 5 or 10 m cables. In addition, these distributors can be used in harsh environments e.g. in the vicinity of welding plant. Hoods with a generous connection space available so that they can be provided with a standard gland up to M25.

- no EMC problems,
- high resistance to chemical or mechanical influences,
- standard fixing dimensions.

General ordering data

Type	SAI-8-MMH 5P M12 ZF
Order No.	1782740000
Version	SAI Passive, Sensor-actuator passive distributor, M12, Hood version, Yes
GTIN (EAN)	4032248179497
Qty.	1 pc(s).

SAI Passive
SAI-8-MMH 5P M12 ZF

Weidmüller Interface GmbH & Co. KG
 Klingenbergstraße 26
 D-32758 Detmold
 Germany
 Fon: +49 5231 14-0
 Fax: +49 5231 14-292083
 www.weidmueller.com

Technical data**Dimensions and weights**

Width	60 mm	Width (inches)	2.362 inch
Height	43 mm	Height (inches)	1.693 inch
Depth	152 mm	Depth (inches)	5.984 inch
Net weight	882 g		

Temperatures

Operating temperature range, max.	90 °C	Operating temperature range, min.	-20 °C
Operating temperature, max.	90 °C	Operating temperature, min.	-20 °C
Operating temperature	-20 - 90°C		

Environmental Product Compliance

REACH SVHC	Lead 7439-92-1
------------	----------------

Connection data

Conductor O.D., min.	10 mm	Conductor O.D., max.	14 mm
Clamping range, min.	0.08 mm ²	Clamping range, max.	1.5 mm ²
Storage space	Standard	Distributor outlet	Hood version
Connection type PE	Tension-clamp connection		

Electrical data

Rated voltage, min.	10 V	Rated voltage, max.	30 V
Test voltage	1 kV	Max. current-carrying capacity per slot	4 A
Total current	10 A	Current per signal	2 A
Electrical isolation available	Yes	Insulation strength	10 ⁹ Ω

General technical data

Plug-in station coding	A	Protection degree	IP68
Number of poles	5	Number of contact sockets	8
Connection thread	M12	Pollution severity	3
Fire behaviour	V-0	Plugging cycles	≤ 50
LED	Yes	LED initiator	Yes

Material data

Housing main material	Zinc diecast	Material of distributor	metal
Housing colour	silver	Hood sealing material	Polyurethane foamed
Screw socket	Nickel-plated CuZn	Contact material	CuZn
Contact surface	Gold-plated	Contact carrier material	PBT (UL 94 V0)

Technical data cable

Suitable for cable carriers	No	Number of poles	5
Conductor O.D., min.	10 mm	Conductor O.D., max.	14 mm

Classifications

ETIM 6.0	EC002585	ETIM 7.0	EC003558
eClass 9.0	27-44-01-08	eClass 9.1	27-44-01-08
eClass 10.0	27-44-01-11	UNSPSC	30-21-18-01

Creation date May 3, 2020 1:55:22 PM CEST

Data sheet**SAI Passive
SAI-8-MMH 5P M12 ZF**

Weidmüller Interface GmbH & Co. KG
Klingenbergstraße 26
D-32758 Detmold
Germany
Fon: +49 5231 14-0
Fax: +49 5231 14-292083
www.weidmueller.com

Technical data**Approvals**

Approvals



ROHS

Conform

Downloads

Brochure/Catalogue [CAT 8 SAI 15/16 EN](#)
[FL FIELDWIRING EN](#)

Engineering Data [WSCAD](#)

Engineering Data [STEP](#)

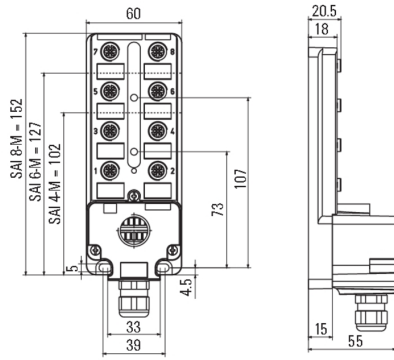
Data sheet

**SAI Passive
SAI-8-MMH 5P M12 ZF**

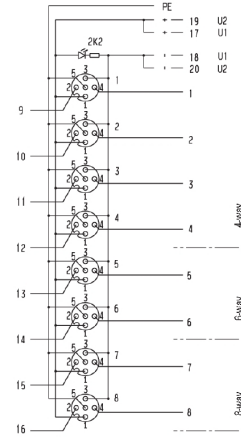
Weidmüller Interface GmbH & Co. KG
 Klingenbergstraße 26
 D-32758 Detmold
 Germany
 Fon: +49 5231 14-0
 Fax: +49 5231 14-292083
 www.weidmueller.com

Drawings

Dimensioned drawing



Wiring diagram



**SAI Passive
SAI-8-MMH 5P M12 ZF**

Weidmüller Interface GmbH & Co. KG
 Klingenbergstraße 26
 D-32758 Detmold
 Germany
 Fon: +49 5231 14-0
 Fax: +49 5231 14-292083
 www.weidmueller.com

Accessories

M12

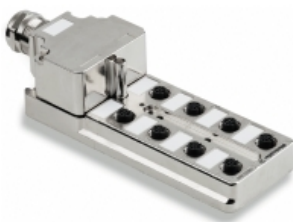


Protective caps protect unassigned plug-in stations against external influences.

General ordering data

Type	SAI-SK-M12	Version	
Order No.	9456050000	Protected component assemblies, Protective cap	
GTIN (EAN)	4008190304058		
Qty.	30 pc(s).		

SAI-4/8-MM 4P



Some applications require complete shielding from the sensor to the control. Our metal SAI distributors achieve this complete shielding. EMC glands are included with the distributors. Initiator LEDs are omitted.

They are available in 4- and 8-way M12 versions with 5 or 10 m cables. In addition, these distributors can be used in harsh environments e.g. in the vicinity of welding plant. Hoods with a generous connection space available so that they can be provided with a standard gland up to M25.

- no EMC problems,
- high resistance to chemical or mechanical influences,
- standard fixing dimensions.

General ordering data

Type	SAI-4/6/8 MH-MM BL 3.5	Version	
Order No.	1724754000	SAI Passive, Sensor-actuator passive distributor, Hood version, No	
GTIN (EAN)	4032248296781		
Qty.	1 pc(s).		

**SAI Passive
SAI-8-MMH 5P M12 ZF**

Weidmüller Interface GmbH & Co. KG
 Klingenbergstraße 26
 D-32758 Detmold
 Germany
 Fon: +49 5231 14-0
 Fax: +49 5231 14-292083
 www.weidmueller.com

Accessories
Tool


Tools for stripping the sheathing from uncut power lines and outlet lines, plus screwdrivers for installing Pick-to-Light components.

General ordering data

Type	SCREWTY SET -DM	Version
Order No.	1920000000	Tools, Bolting tool
GTIN (EAN)	4032248436859	
Qty.	1 pc(s).	

SAI-4/8-MM 5P


Some applications require complete shielding from the sensor to the control. Our metal SAI distributors achieve this complete shielding. EMC glands are included with the distributors. Initiator LEDs are omitted.

They are available in 4- and 8-way M12 versions with 5 or 10 m cables. In addition, these distributors can be used in harsh environments e.g. in the vicinity of welding plant. Hoods with a generous connection space available so that they can be provided with a standard gland up to M25.

- no EMC problems,
- high resistance to chemical or mechanical influences,
- standard fixing dimensions.

General ordering data

Type	SAI-8-MM 5P M12 UT	Version
Order No.	1783491000	SAI Passive, Sensor-actuator passive distributor, M12, Hood version,
GTIN (EAN)	4032248296583	Yes
Qty.	2 pc(s).	

**SAI Passive
SAI-8-MMH 5P M12 ZF**

Weidmüller Interface GmbH & Co. KG
 Klingenbergstraße 26
 D-32758 Detmold
 Germany
 Fon: +49 5231 14-0
 Fax: +49 5231 14-292083
 www.weidmueller.com

Accessories

Neutral



ESG is the tried-and-tested marker in MultiCard format for use on many well-known electrical devices. The result is high-quality device marking with a high-contrast appearance.

Various types are available for devices from the following manufacturers:

- Siemens
- Télémecanique
- ABB
- Beckhoff
- Lumberg
- Tags for all-purpose usage; self-adhesive or clip-on tags, depending on the type

Advantages at a glance:

- Tags for universal usage, self-adhesive or clip-on tags, depending on type
- For aligned equipment, e.g. circuit breakers, we supply ESG markers for clipping onto tag rails
- Individual laser-quality printing according to specifications

For custom printing: Please send us a file of our labeling software M-Print PRO or M-Print PRO Online (without installation) for your labeling specifications.

Please note that these markers are not intended for printing with the SpeedMarking laser.

General ordering data

Type	ESG 8/20 K MC NE WS	Version	
Order No.	2558360000	ESG, Device markers x 20 mm, PA 66, Colour: white	
GTIN (EAN)	4050118569070		
Qty.	200 pc(s).		