

SAI Passive SAI-4-F 4P IDC PUR 5M

Weidmüller Interface GmbH & Co. KG
 Klingenbergstraße 26
 D-32758 Detmold
 Germany
 Fon: +49 5231 14-0
 Fax: +49 5231 14-292083
 www.weidmueller.com



- The compact IDC system cuts production, installation and maintenance work.
- Knurled metal nuts ensure sturdy, secure handling with little effort.
- The IDC distributors have the same dimensions as the standard SAI distributors. They are compatible with the standard SAI distributors.
- 3-pole version with 1 I/O signal per slot and 4-pole version with 2 I/O signals per slot,
- individual assembly of the sensor/actuator cables on the spot,
- reliable and fast connection thanks to IDC connecting element,
- IP67 class of protection.

General ordering data

Type	SAI-4-F 4P IDC PUR 5M
Order No.	1766660000
Version	SAI Passive, Sensor-actuator passive distributor, IDC, M12, Fixed cable version, 5 m, Yes
GTIN (EAN)	4032248107384
Qty.	1 pc(s).

Creation date May 3, 2020 11:32:08 AM CEST

SAI Passive
SAI-4-F 4P IDC PUR 5M

Weidmüller Interface GmbH & Co. KG
 Klingenbergstraße 26
 D-32758 Detmold
 Germany
 Fon: +49 5231 14-0
 Fax: +49 5231 14-292083
 www.weidmueller.com

Technical data**Dimensions and weights**

Width	60 mm	Width (inches)	2.362 inch
Height	25 mm	Height (inches)	0.984 inch
Depth	102 mm	Depth (inches)	4.016 inch
Net weight	524 g		

Temperatures

Operating temperature range, max.	80 °C	Operating temperature range, min.	-20 °C
Operating temperature, max.	80 °C	Operating temperature, min.	-20 °C
Operating temperature	-20 - 80°C		

Environmental Product Compliance

REACH SVHC	Lead 7439-92-1
------------	----------------

Connection data

Conductor O.D., min.	1.2 mm	Conductor O.D., max.	1.6 mm
Sheathing stripping length	15 mm	max. connection of equal cross-section	10
Distributor outlet	Fixed cable version		

Standards

Certificate No. (cURus)	E141197
-------------------------	---------

Electrical data

Rated voltage, min.	10 V	Rated voltage, max.	30 V
Test voltage	1 kV	Max. current-carrying capacity per slot	4 A
Total current	9 A	Current per signal	2 A
Electrical isolation available	No	Insulation strength	10 ⁹ Ω

General technical data

Plug-in station coding	A	Protection degree	IP67
Number of poles	4	Number of contact sockets	4
Connection thread	M12	Pollution severity	2
Fire behaviour	V-0	LED	Yes
LED initiator	Yes	LED colour for indicating operation	green
LED colour for I/O function	yellow		

Material data

Housing main material	Pocan	Material of distributor	Plastic
Housing colour	grey, RAL 7032	Screw socket	Nickel-plated CuZn
Contact material	CuZn	Contact surface	Gold-plated
Contact carrier material	PBT (UL 94 V0)		

Data sheet

**SAI Passive
SAI-4-F 4P IDC PUR 5M**

Weidmüller Interface GmbH & Co. KG
 Klingenbergstraße 26
 D-32758 Detmold
 Germany
 Fon: +49 5231 14-0
 Fax: +49 5231 14-292083
 www.weidmueller.com

Technical data

Technical data cable

Cable length	5 m	Suitable for cable carriers	Yes
Number of poles	4	Wire cross section	8 x 0.34 mm ² + 2 x 0.75 mm ²
O.D.	7.4 mm	Shielded	No
Colour coding	blue, brown, brown / green, yellow, grey, grey / pink, green, red / blue, white, white / green	Sheath material	PUR
Sheathing colour	black	Halogen	No
Bending radius, min., moving	10 x cable diameter	Bending cycles	2 Mio
Conductor O.D., min.	1.2 mm	Conductor O.D., max.	1.6 mm

Classifications

ETIM 6.0	EC002585	ETIM 7.0	EC002585
eClass 9.0	27-44-01-08	eClass 9.1	27-44-01-08
eClass 10.0	27-44-01-08	UNSPSC	30-21-18-01

Approvals

Approvals



ROHS Conform

Downloads

Brochure/Catalogue	CAT 8 SAI 15/16 EN FL FIELDWIRING EN
Engineering Data	WSCAD
Engineering Data	STEP

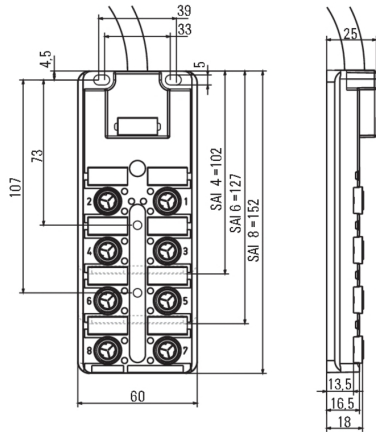
Data sheet

**SAI Passive
SAI-4-F 4P IDC PUR 5M**

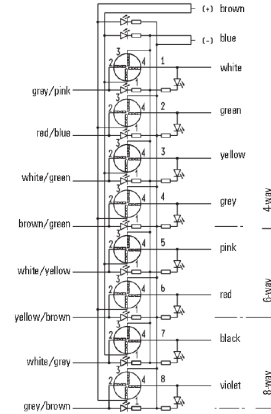
Weidmüller Interface GmbH & Co. KG
 Klingenbergstraße 26
 D-32758 Detmold
 Germany
 Fon: +49 5231 14-0
 Fax: +49 5231 14-292083
 www.weidmueller.com

Drawings

Dimensioned drawing



Wiring diagram



**SAI Passive
SAI-4-F 4P IDC PUR 5M**

Weidmüller Interface GmbH & Co. KG
 Klingenbergstraße 26
 D-32758 Detmold
 Germany
 Fon: +49 5231 14-0
 Fax: +49 5231 14-292083
 www.weidmueller.com

Accessories

M12



Protective caps protect unassigned plug-in stations against external influences.

General ordering data

Type	SAI-SK-M12	Version
Order No.	9456050000	Protected component assemblies, Protective cap
GTIN (EAN)	4008190304058	
Qty.	30 pc(s).	

Tool



Tools for stripping the sheathing from uncut power lines and outlet lines, plus screwdrivers for installing Pick-to-Light components.

General ordering data

Type	SCREWTY SET -DM	Version
Order No.	1920000000	Tools, Bolting tool
GTIN (EAN)	4032248436859	
Qty.	1 pc(s).	

**SAI Passive
SAI-4-F 4P IDC PUR 5M**

Weidmüller Interface GmbH & Co. KG
 Klingenbergstraße 26
 D-32758 Detmold
 Germany
 Fon: +49 5231 14-0
 Fax: +49 5231 14-292083
 www.weidmueller.com

Accessories

Blank



ESG is the tried-and-tested marker in MultiCard format for use on many well-known electrical devices. The result is high-quality device marking with a high-contrast appearance.

Various types are available for devices from the following manufacturers:

- Siemens
- Télémecanique
- ABB
- Beckhoff
- Lumberg
- Tags for all-purpose usage; self-adhesive or clip-on tags, depending on the type

Advantages at a glance:

- Tags for universal usage, self-adhesive or clip-on tags, depending on type
- For aligned equipment, e.g. circuit breakers, we supply ESG markers for clipping onto tag rails
- Individual laser-quality printing according to specifications

For custom printing: Please send us a file of our labeling software M-Print PRO or M-Print PRO Online (without installation) for your labeling specifications.

Please note that these markers are not intended for printing with the SpeedMarking laser.

General ordering data

Type	ESG 9/20 MC NE WS	Version
Order No.	1609940000	ESG, Device markers x 20 mm, PA 66, Colour: white, pluggable
GTIN (EAN)	4008190203528	
Qty.	200 pc(s).	