

HDC enclosures HDC 32A SDBO 1PG29G

Weidmüller Interface GmbH & Co. KG
Klingenbergstraße 26
D-32758 Detmold
Germany
Fon: +49 5231 14-0
Fax: +49 5231 14-292083
www.weidmueller.com



The special die-cast alloy and the multi-layered surface sealing provide complete protection for the HDC housings.

The cleverly designed interlock system is manufactured from stainless steel. This guarantees a long lifespan with high resistance to corrosion and impact.

The housing interlock system provides integrated safety. Our unique, patented spring system provides the housing interlock with a secure grip and prevents accidental opening.

The laser marking allows for easy and quick identification. Each housing is permanently labelled with a laser marking so that each product can be quickly designated and positioned.

Weidmüller RockStar® IP 65 / NEMA Type 4X housings - your first choice for industrial housings with IP 65 protection.

General ordering data

Type	HDC 32A SDBO 1PG29G
Order No.	1666590000
Version	HDC enclosures, Size: 7, Protection degree: IP65, Closed base, Side-locking clamp on upper side, Standard, with cover, Size of cable entries: PG 29
GTIN (EAN)	4008190423711
Qty.	1 pc(s).

**HDC enclosures
HDC 32A SDBO 1PG29G**

Weidmüller Interface GmbH & Co. KG
 Klingenbergstraße 26
 D-32758 Detmold
 Germany
 Fon: +49 5231 14-0
 Fax: +49 5231 14-292083
 www.weidmueller.com

Technical data**Dimensions and weights**

Width	89.2 mm	Width (inches)	3.512 inch
Height	97 mm	Height (inches)	3.819 inch
Mounting dimension - width	92 mm	Mounting dimension - height	46 mm
Net weight	453 g		

Temperatures

Limit temperature -40 °C ... 125 °C

Environmental Product Compliance

REACH SVHC Lead 7439-92-1, DIBP 84-69-5

Dimensions

Cable entry	w. threading	Height of base B1	5 mm
Height of housing B	75 mm	Hole pitch length A2	92 mm
Total length housing	82 mm	Width base C1	64.5 mm
Width housing C	56 mm		

General data

EMC housings	No	Housing main material	diecast aluminium
Material of locking element	Stainless steel, rust-proof	Protection class note	Protection class for this version of cover: IP20
Protection degree	IP65	Surface finish	Powder coating
Tightening torque	1.2 Nm		

Version

Cable entry	w. threading	Clamp version	Side-locking clamp
Cover	with cover	Design	Standard
Design of cover	with cover	Design of housing	Closed base
Design of locking system	Side-locking clamp on upper side	Internal thread	PG 29
Number of cable entry on top	0	Number of cable entry sideways	1
Sealing	NBR	Size	7
Size of cable entries	PG 29	Suitable for ModuPlug®	No
Tightening torque	1.2 Nm	Top part/bottom part/lid	lower part
Type	Base housing		

Classifications

ETIM 6.0	EC000437	ETIM 7.0	EC000437
eClass 9.0	27-44-02-02	eClass 9.1	27-44-02-02
eClass 10.0	27-44-02-02	UNSPSC	30-21-18-01

Approvals

Approvals



Creation date May 3, 2020 2:59:45 PM CEST

Catalogue status 17.04.2020 / We reserve the right to make technical changes.

**HDC enclosures
HDC 32A SDBO 1PG29G**

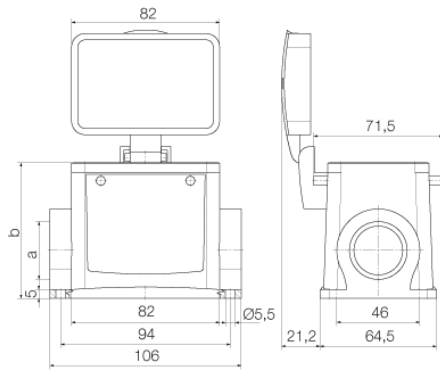
Weidmüller Interface GmbH & Co. KG
Klingenbergstraße 26
D-32758 Detmold
Germany
Fon: +49 5231 14-0
Fax: +49 5231 14-292083
www.weidmueller.com

Technical data**Downloads**

Brochure/Catalogue	CAT 3 HDC 17/18 EN FL FIELDWIRING EN
Engineering Data	EPLAN, WSCAD
Engineering Data	STEP
Product Change Notification	DE - HDC base housings size 16D/32A/32B DE - HDC base housings size 16D/32A/32B
Technical Documentation	1666590000_HDC_32A_SDBO_1PG29G_STP_Blatt_1.pdf

Data sheet**HDC enclosures
HDC 32A SDBO 1PG29G**

Weidmüller Interface GmbH & Co. KG
Klingenbergstraße 26
D-32758 Detmold
Germany
Fon: +49 5231 14-0
Fax: +49 5231 14-292083
www.weidmueller.com

Drawings

HDC enclosures HDC 32A SDBO 1PG29G

Weidmüller Interface GmbH & Co. KG
 Klingenbergstraße 26
 D-32758 Detmold
 Germany
 Fon: +49 5231 14-0
 Fax: +49 5231 14-292083
 www.weidmueller.com

Accessories

Cover



The special die-cast alloy and the multi-layered surface sealing provide complete protection for the HDC housings.

The cleverly designed interlock system is manufactured from stainless steel. This guarantees a long lifespan with high resistance to corrosion and impact.

The housing interlock system provides integrated safety. Our unique, patented spring system provides the housing interlock with a secure grip and prevents accidental opening.

The laser marking allows for easy and quick identification. Each housing is permanently labelled with a laser marking so that each product can be quickly designated and positioned.

Weidmüller RockStar® IP 65 / NEMA Type 4X housings - your first choice for industrial housings with IP 65 protection.

General ordering data

Type	HDC 32A DODQ 4B0	Version
Order No.	1665920000	HDC enclosures, Size: 7, Protection degree: IP65, Cover for lower part
GTIN (EAN)	4008190422950	of housing, Side-locking clamp on lower side, Standard
Qty.	1 pc(s).	

Hood, Cable Entry at top



The special die-cast alloy and the multi-layered surface sealing provide complete protection for the HDC housings.

The cleverly designed interlock system is manufactured from stainless steel. This guarantees a long lifespan with high resistance to corrosion and impact.

The housing interlock system provides integrated safety. Our unique, patented spring system provides the housing interlock with a secure grip and prevents accidental opening.

The laser marking allows for easy and quick identification. Each housing is permanently labelled with a laser marking so that each product can be quickly designated and positioned.

Weidmüller RockStar® IP 65 / NEMA Type 4X housings - your first choice for industrial housings with IP 65 protection.

General ordering data

Type	HDC 32A TOBU 1PG29G	Version
Order No.	1665810000	HDC enclosures, Size: 7, Protection degree: IP65, Cable entry from top, Plug housing, Side-locking clamp on lower side, Standard, Size of cable entries: PG 29
GTIN (EAN)	4008190422837	
Qty.	1 pc(s).	
Type	HDC 32A TOBU 1PG21G	Version
Order No.	1665790000	HDC enclosures, Size: 7, Protection degree: IP65, Cable entry from top, Plug housing, Side-locking clamp on lower side, Standard, Size of cable entries: PG 21
GTIN (EAN)	4008190422813	
Qty.	1 pc(s).	

HDC enclosures

HDC 32A SDBO 1PG29G

Weidmüller Interface GmbH & Co. KG
 Klingenbergstraße 26
 D-32758 Detmold
 Germany
 Fon: +49 5231 14-0
 Fax: +49 5231 14-292083
 www.weidmueller.com

Accessories

Type	HDC 32A TOBU 1M32G	Version
Order No.	1787990000	HDC enclosures, Size: 7, Protection degree: IP65, Cable entry from
GTIN (EAN)	4032248205431	top, Plug housing, Side-locking clamp on lower side, Standard, Size of
Qty.	1 pc(s).	cable entries: M 32

Hood, Cable Entry sideways



The special die-cast alloy and the multi-layered surface sealing provide complete protection for the HDC housings.

The cleverly designed interlock system is manufactured from stainless steel. This guarantees a long lifespan with high resistance to corrosion and impact.

The housing interlock system provides integrated safety. Our unique, patented spring system provides the housing interlock with a secure grip and prevents accidental opening.

The laser marking allows for easy and quick identification. Each housing is permanently labelled with a laser marking so that each product can be quickly designated and positioned.

Weidmüller RockStar® IP 65 / NEMA Type 4X housings - your first choice for industrial housings with IP 65 protection.

General ordering data

Type	HDC 32A TSBU 1PG29G	Version
Order No.	1665690000	HDC enclosures, Size: 7, Protection degree: IP65, Cable entry from
GTIN (EAN)	4008190422714	side, Plug housing, Side-locking clamp on lower side, Standard, Size of
Qty.	1 pc(s).	cable entries: PG 29
Type	HDC 32A TSBU 1PG21G	Version
Order No.	1665670000	HDC enclosures, Size: 7, Protection degree: IP65, Cable entry from
GTIN (EAN)	4008190422691	side, Plug housing, Side-locking clamp on lower side, Standard, Size of
Qty.	1 pc(s).	cable entries: PG 21
Type	HDC 32A TSBU 1M25G	Version
Order No.	1787960000	HDC enclosures, Size: 7, Protection degree: IP65, Cable entry from
GTIN (EAN)	4032248205400	side, Plug housing, Side-locking clamp on lower side, Standard, Size of
Qty.	1 pc(s).	cable entries: M 25
Type	HDC 32A TSBU 1M32G	Version
Order No.	1787950000	HDC enclosures, Size: 7, Protection degree: IP65, Cable entry from
GTIN (EAN)	4032248205394	side, Plug housing, Side-locking clamp on lower side, Standard, Size of
Qty.	1 pc(s).	cable entries: M 32