

## HDC enclosures HDC 04A KOLU 1PG11G

**Weidmüller Interface GmbH & Co. KG**  
Klingenbergstraße 26  
D-32758 Detmold  
Germany  
Fon: +49 5231 14-0  
Fax: +49 5231 14-292083  
www.weidmueller.com



The special die-cast alloy and the multi-layered surface sealing provide complete protection for the HDC housings.

The cleverly designed interlock system is manufactured from stainless steel. This guarantees a long lifespan with high resistance to corrosion and impact.

The housing interlock system provides integrated safety. Our unique, patented spring system provides the housing interlock with a secure grip and prevents accidental opening.

The laser marking allows for easy and quick identification. Each housing is permanently labelled with a laser marking so that each product can be quickly designated and positioned.

Weidmüller RockStar® IP 65 / NEMA Type 4X housings - your first choice for industrial housings with IP 65 protection.

### General ordering data

Type	HDC 04A KOLU 1PG11G
Order No.	<a href="#">1652500000</a>
Version	HDC enclosures, Size: 1, Protection degree: IP65, Closed housing, Side-locking clamp on lower side, Standard, Size of cable entries: PG 11
GTIN (EAN)	4008190402570
Qty.	1 pc(s).

# Data sheet

## HDC enclosures HDC 04A KOLU 1PG11G

**Weidmüller Interface GmbH & Co. KG**  
 Klingenbergstraße 26  
 D-32758 Detmold  
 Germany  
 Fon: +49 5231 14-0  
 Fax: +49 5231 14-292083  
 www.weidmueller.com

## Technical data

### Dimensions and weights

Width	36.5 mm	Width (inches)	1.437 inch
Height	77.5 mm	Height (inches)	3.051 inch
Depth	26.5 mm	Depth (inches)	1.043 inch
Net weight	41 g		

### Temperatures

Limit temperature -40 °C ... 125 °C

### Environmental Product Compliance

REACH SVHC Lead 7439-92-1

### Dimensions

Cable entry	w. threading	Height of housing B	53.5 mm
Total length housing	26.5 mm	Width housing C	26.8 mm

### General data

EMC housings	No	Housing main material	diecast aluminium
Material of locking element	Stainless steel, rust-proof	Protection degree	IP65
Surface finish	Powder coating	Tightening torque	0.5 Nm

### Version

Cable entry	w. threading	Clamp version	Side-locking clamp
Design	Standard	Design of housing	Closed housing
Design of locking system	Side-locking clamp on lower side	Internal thread	PG 11
Number of cable entry on top	1	Number of cable entry sideways	0
Size	1	Size of cable entries	PG 11
Suitable for ModuPlug®	No	Tightening torque	0.5 Nm
Top part/bottom part/lid	lower part	Type	coupling extension

### Classifications

ETIM 6.0	EC000437	ETIM 7.0	EC000437
eClass 9.0	27-44-02-02	eClass 9.1	27-44-02-02
eClass 10.0	27-44-02-02	UNSPSC	30-21-18-01

### Approvals

Approvals



ROHS Conform

**Data sheet****HDC enclosures  
HDC 04A KOLU 1PG11G**

**Weidmüller Interface GmbH & Co. KG**  
Klingenbergstraße 26  
D-32758 Detmold  
Germany  
Fon: +49 5231 14-0  
Fax: +49 5231 14-292083  
www.weidmueller.com

**Technical data****Downloads**

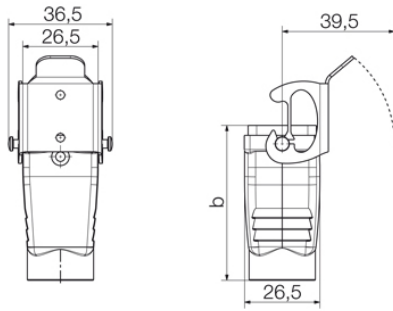
Brochure/Catalogue	<a href="#">CAT 3 HDC 17/18 EN</a> <a href="#">FL FIELDWIRING EN</a>
Engineering Data	<a href="#">EPLAN, WSCAD</a>
Engineering Data	<a href="#">STEP</a>
Technical Documentation	<a href="#">1652500000_HDC_04A_KLU_1PG11G_STP_Blatt_1.pdf</a>

**Data sheet**

**HDC enclosures  
HDC 04A KOLU 1PG11G**

**Weidmüller Interface GmbH & Co. KG**  
Klingenbergstraße 26  
D-32758 Detmold  
Germany  
Fon: +49 5231 14-0  
Fax: +49 5231 14-292083  
[www.weidmueller.com](http://www.weidmueller.com)

**Drawings**



**HDC enclosures  
HDC 04A KOLU 1PG11G**

**Weidmüller Interface GmbH & Co. KG**  
 Klingenbergstraße 26  
 D-32758 Detmold  
 Germany  
 Fon: +49 5231 14-0  
 Fax: +49 5231 14-292083  
 www.weidmueller.com

**Accessories**

**Cover**



The special die-cast alloy and the multi-layered surface sealing provide complete protection for the HDC housings.

The cleverly designed interlock system is manufactured from stainless steel. This guarantees a long lifespan with high resistance to corrosion and impact.

The housing interlock system provides integrated safety. Our unique, patented spring system provides the housing interlock with a secure grip and prevents accidental opening.

The laser marking allows for easy and quick identification. Each housing is permanently labelled with a laser marking so that each product can be quickly designated and positioned.

Weidmüller RockStar® IP 65 / NEMA Type 4X housings - your first choice for industrial housings with IP 65 protection.

**General ordering data**

Type	HDC 04A DODL 2B0	Version	
Order No.	<a href="#">1665740000</a>	HDC enclosures, Size: 1, Protection degree: IP65, Cover for lower part of housing, Side-locking clamp on lower side, Standard	
GTIN (EAN)	4008190422769		
Qty.	1 pc(s).		
Type	HDC 04A DMDL 2B0	Version	
Order No.	<a href="#">1665750000</a>	HDC enclosures, Size: 1, Protection degree: IP65, Cover for lower part of housing, Side-locking clamp on lower side, Standard	
GTIN (EAN)	4008190422776		
Qty.	1 pc(s).		