

HDC enclosures HDC 07A KOLU 1PG11G

Weidmüller Interface GmbH & Co. KG
Klingenbergstraße 26
D-32758 Detmold
Germany
Fon: +49 5231 14-0
Fax: +49 5231 14-292083
www.weidmueller.com



The special die-cast alloy and the multi-layered surface sealing provide complete protection for the HDC housings.

The cleverly designed interlock system is manufactured from stainless steel. This guarantees a long lifespan with high resistance to corrosion and impact.

The housing interlock system provides integrated safety. Our unique, patented spring system provides the housing interlock with a secure grip and prevents accidental opening.

The laser marking allows for easy and quick identification. Each housing is permanently labelled with a laser marking so that each product can be quickly designated and positioned.

Weidmüller RockStar® IP 65 / NEMA Type 4X housings - your first choice for industrial housings with IP 65 protection.

General ordering data

Type	HDC 07A KOLU 1PG11G
Order No.	1652460000
Version	HDC enclosures, Size: 1, Protection degree: IP65, Closed housing, Side-locking clamp on lower side, Standard, Size of cable entries: PG 11
GTIN (EAN)	4008190402532
Qty.	1 pc(s).

**HDC enclosures
HDC 07A KOLU 1PG11G**

Weidmüller Interface GmbH & Co. KG
 Klingenbergstraße 26
 D-32758 Detmold
 Germany
 Fon: +49 5231 14-0
 Fax: +49 5231 14-292083
 www.weidmueller.com

Technical data**Dimensions and weights**

Width	36.5 mm	Width (inches)	1.437 inch
Height	77.5 mm	Height (inches)	3.051 inch
Depth	26.7 mm	Depth (inches)	1.051 inch
Net weight	26 g		

Temperatures

Limit temperature	-40 °C ... 125 °C
-------------------	-------------------

Environmental Product Compliance

REACH SVHC	Potassium perfluorobutane sulfonate 29420-49-3
------------	--

Dimensions

Cable entry	w. threading	Height of housing B	53.5 mm
Total length housing	26.5 mm	Width housing C	26.8 mm

General data

EMC housings	No	Housing main material	Plastic
Material of locking element	Stainless steel, rust-proof	Protection degree	IP65
Tightening torque	0.5 Nm	UL 94 flammability rating	V-0

Version

Cable entry	w. threading	Clamp version	Side-locking clamp
Design	Standard	Design of housing	Closed housing
Design of locking system	Side-locking clamp on lower side	Internal thread	PG 11
Number of cable entry on top	1	Number of cable entry sideways	0
Size	1	Size of cable entries	PG 11
Suitable for ModuPlug®	No	Tightening torque	0.5 Nm
Top part/bottom part/lid	lower part	Type	coupling extension

Classifications

ETIM 6.0	EC000437	ETIM 7.0	EC000437
eClass 9.0	27-44-02-02	eClass 9.1	27-44-02-02
eClass 10.0	27-44-02-02	UNSPSC	30-21-18-01

Approvals

Approvals



ROHS Conform

Data sheet**HDC enclosures
HDC 07A KOLU 1PG11G**

Weidmüller Interface GmbH & Co. KG
Klingenbergstraße 26
D-32758 Detmold
Germany
Fon: +49 5231 14-0
Fax: +49 5231 14-292083
www.weidmueller.com

Technical data**Downloads**

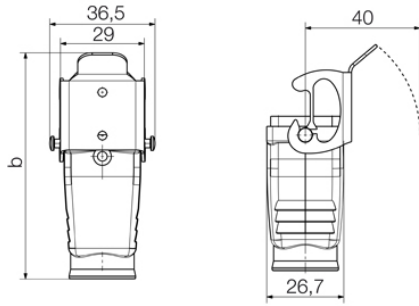
Brochure/Catalogue	CAT 3 HDC 17/18 EN FL FIELDWIRING EN
Engineering Data	EPLAN, WSCAD
Engineering Data	STEP
Technical Documentation	1652460000_HDC_07A_KLU_1PG11G_STP_Blatt_1.pdf

Data sheet

**HDC enclosures
HDC 07A KOLU 1PG11G**

Weidmüller Interface GmbH & Co. KG
Klingenbergstraße 26
D-32758 Detmold
Germany
Fon: +49 5231 14-0
Fax: +49 5231 14-292083
www.weidmueller.com

Drawings



**HDC enclosures
HDC 07A KOLU 1PG11G**

Weidmüller Interface GmbH & Co. KG
Klingenbergstraße 26
D-32758 Detmold
Germany
Fon: +49 5231 14-0
Fax: +49 5231 14-292083
www.weidmueller.com

Accessories

Cover



The special die-cast alloy and the multi-layered surface sealing provide complete protection for the HDC housings.

The cleverly designed interlock system is manufactured from stainless steel. This guarantees a long lifespan with high resistance to corrosion and impact.

The housing interlock system provides integrated safety. Our unique, patented spring system provides the housing interlock with a secure grip and prevents accidental opening.

The laser marking allows for easy and quick identification. Each housing is permanently labelled with a laser marking so that each product can be quickly designated and positioned.

Weidmüller RockStar® IP 65 / NEMA Type 4X housings - your first choice for industrial housings with IP 65 protection.

General ordering data

Type	HDC 04A DODL 2B0	Version	
Order No.	1665740000	HDC enclosures, Size: 1, Protection degree: IP65, Cover for lower part of housing, Side-locking clamp on lower side, Standard	
GTIN (EAN)	4008190422769		
Qty.	1 pc(s).		
Type	HDC 04A DMDL 2B0	Version	
Order No.	1665750000	HDC enclosures, Size: 1, Protection degree: IP65, Cover for lower part of housing, Side-locking clamp on lower side, Standard	
GTIN (EAN)	4008190422776		
Qty.	1 pc(s).		