

**Crimping contact  
HDC-C-HE-SM0.5AU**

**Weidmüller Interface GmbH & Co. KG**  
Klingenbergstraße 26  
D-32758 Detmold  
Germany  
Fon: +49 5231 14-0  
Fax: +49 5231 14-292083  
www.weidmueller.com



Crimps provide a electrical and mechanical connection between wire and contact that is both secure and reliable. The optimal crimp connection is gas-tight and corrosion-resistant.

**General ordering data**

Type	HDC-C-HE-SM0.5AU
Order No.	<a href="#">1651420000</a>
Version	Heavy-duty connectors, Crimp contact, HE, HEE, HQ, MixMate, Pin, Conductor cross-section, max.: 0.5, turned, Copper alloy
GTIN (EAN)	4008190400095
Qty.	100 pc(s).

Creation date May 3, 2020 4:11:37 PM CEST

Catalogue status 17.04.2020 / We reserve the right to make technical changes.

## Data sheet

### Crimping contact HDC-C-HE-SM0.5AU

**Weidmüller Interface GmbH & Co. KG**  
 Klingenbergstraße 26  
 D-32758 Detmold  
 Germany  
 Fon: +49 5231 14-0  
 Fax: +49 5231 14-292083  
 www.weidmueller.com

## Technical data

### Dimensions and weights

Net weight	1.32 g	Diameter	4.5 mm
------------	--------	----------	--------

### Environmental Product Compliance

REACH SVHC	Lead 7439-92-1
------------	----------------

### General data

Contact diameter, male Ø	2.5 mm	Cross-section for connected wire	0.5 mm <sup>2</sup>
Material	Copper alloy	Plugging cycles	≥ 500
Production methods	turned	Series	HE
Stripping length, rated connection	7.5 mm	Surface finish	gold
Surface layer thickness, max.	1.25 µm	Surface layer thickness, min.	0.75 µm
Type	Pin	Type of connection	Crimp connection
Version insert	HE, HEE, HQ, MixMate	Volume resistance	≤ 2mΩ

### Classifications

ETIM 6.0	EC000796	ETIM 7.0	EC000796
eClass 9.0	27-44-02-04	eClass 9.1	27-44-02-04
eClass 10.0	27-44-02-04	UNSPSC	30-21-18-01

### Approvals

Approvals



ROHS	Conform
------	---------

### Downloads

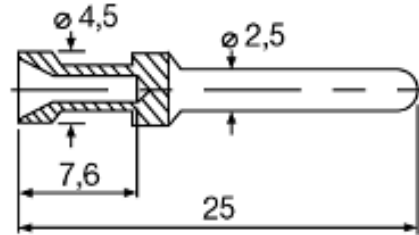
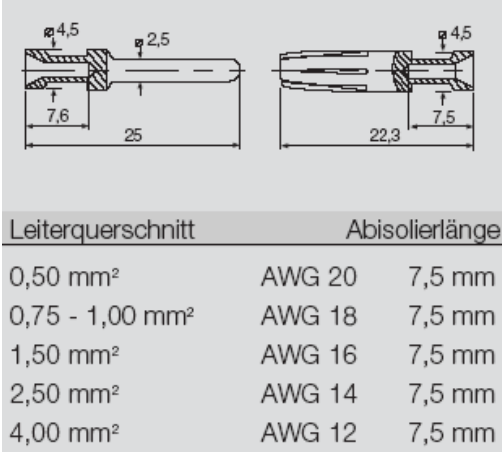
Brochure/Catalogue	<a href="#">CAT 3 HDC 17/18 EN</a> <a href="#">FL FIELDWIRING EN</a>
Engineering Data	<a href="#">EPLAN, WSCAD</a>
Engineering Data	<a href="#">STEP</a>

**Data sheet**

**Crimping contact  
HDC-C-HE-SM0.5AU**

**Weidmüller Interface GmbH & Co. KG**  
 Klingenbergstraße 26  
 D-32758 Detmold  
 Germany  
 Fon: +49 5231 14-0  
 Fax: +49 5231 14-292083  
 www.weidmueller.com

**Drawings**



**Data sheet**

**Crimping contact  
HDC-C-HE-SM0.5AU**

**Weidmüller Interface GmbH & Co. KG**  
 Klingenbergstraße 26  
 D-32758 Detmold  
 Germany  
 Fon: +49 5231 14-0  
 Fax: +49 5231 14-292083  
 www.weidmueller.com

**Accessories**

**Non-contact tools**



Tools for dismantling Weidmüller crimp contacts

**General ordering data**

Type	REMOVAL TOOL HE	Version
Order No.	<a href="#">1866750000</a>	Tools, Contact Removal Tool
GTIN (EAN)	4032248437078	
Qty.	1 pc(s).	

**CTIN / CTX**



**Crimping tools for turned contacts**

- Ratchet guarantees precise crimping
- Release option in the event of incorrect operation
- With stop for exact positioning of the contacts.

**General ordering data**

Type	CTX CM 1.6/2.5	Version
Order No.	<a href="#">9018490000</a>	Pressing tool, Crimping tool for contacts, 0.14mm <sup>2</sup> , 4mm <sup>2</sup> , W crimp
GTIN (EAN)	4008190884598	
Qty.	1 pc(s).	
Type	CTIN CM 1.6/2.5	Version
Order No.	<a href="#">9205430000</a>	Pressing tool, Crimping tool for contacts, 0.14mm <sup>2</sup> , 6mm <sup>2</sup> , 4-indent crimp
GTIN (EAN)	4032248733446	
Qty.	1 pc(s).	