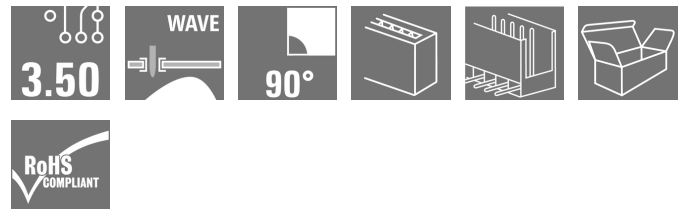
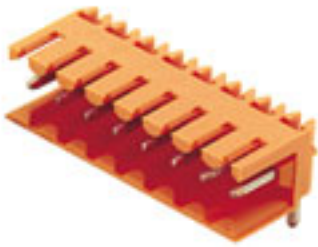


## OMNIMATE Signal - series BL/SL 3.50 SL 3.50/21/90 3.2SN OR BX

**Weidmüller Interface GmbH & Co. KG**  
Klingenbergstraße 26  
D-32758 Detmold  
Germany  
Fon: +49 5231 14-0  
Fax: +49 5231 14-292083  
www.weidmueller.com

### Product image



Similar to illustration

Pin headers for wave soldering in 3.50 mm pitch

- Plugging direction is parallel (90°), straight 180° or angled (135°) to the PCB
- Housing variant: screw flange (F)
- Packed in a cardboard box (BX)
- Pin header can be coded

### General ordering data

Type	SL 3.50/21/90 3.2SN OR BX
Order No.	<a href="#">1619030000</a>
Version	PCB plug-in connector, male header, open side, THT solder connection, 3.50 mm, Number of poles: 21, 90°, Solder pin length (l): 3.2 mm, tinned, orange, Box
GTIN (EAN)	4008 19013265 1
Qty.	20 pc(s).
Product data	IEC: 320 V / 17 A UL: 300 V / 10 A
Packaging	Box

Creation date May 3, 2020 8:53:06 PM CEST

**OMNIMATE Signal - series BL/SL 3.50  
SL 3.50/21/90 3.2SN OR BX**

**Weidmüller Interface GmbH & Co. KG**  
Klingenbergstraße 26  
D-32758 Detmold  
Germany  
Fon: +49 5231 14-0  
Fax: +49 5231 14-292083  
www.weidmueller.com

**Technical data****Dimensions and weights**

Width	73.5 mm	Width (inches)	2.894 inch
Height	10.7 mm	Height (inches)	0.421 inch
Height of lowest version	7.5 mm	Depth	11.1 mm
Depth (inches)	0.437 inch	Net weight	6.45 g

**System specifications**

Product family	OMNIMATE Signal - series BL/SL 3.50	Type of connection	Board connection
Mounting onto the PCB	THT solder connection	Pitch in mm (P)	3.5 mm
Pitch in inches (P)	0.138 inch	Outgoing elbow	90°
Number of poles	21	Number of solder pins per pole	1
Solder pin length (l)	3.2 mm	Solder pin length tolerance	+0.1 / -0.3 mm
Tolerance of solder pin position	± 0.20 mm	Solder pin dimensions	d = 1.2 mm, Octagonal
Solder pin dimensions = d tolerance	0 / -0,03 mm	Solder eyelet hole diameter (D)	1.4 mm
Solder eyelet hole diameter tolerance (D)+	0,1 mm	L1 in mm	70 mm
L1 in inches	2.756 inch	Number of rows	1
Pin series quantity	1	Touch-safe protection acc. to DIN VDE 57 106	Safe from back-of-hand touch
Touch-safe protection acc. to DIN VDE 0470	IP 10	Volume resistance	≤ 5mΩ
Can be coded	Yes	Plugging cycles	25
Plugging force/pole, max.	10 N	Pulling force/pole, max.	10 N

**Material data**

Insulating material	PBT	Colour	orange
Colour chart (similar)	RAL 2000	Insulating material group	IIIa
Comparative Tracking Index (CTI)	≥ 200	Insulation strength	≥ 10 <sup>8</sup> Ω
UL 94 flammability rating	V-0	GWFI	960 °C
Contact material	CuSn	Contact surface	tinned
Layer structure of solder connection	2-4 μm Ni / 5-8 μm Sn glossy	Layer structure of plug contact	2-4 μm Ni / 5-8 μm Sn glossy
Storage temperature, min.	-25 °C	Storage temperature, max.	50 °C
Max. relative humidity during storage	70 %	Operating temperature, min.	-50 °C
Operating temperature, max.	100 °C	Temperature range, installation, min.	-30 °C
Temperature range, installation, max.	100 °C		


**Rated data acc. to IEC**

tested acc. to standard	IEC 60664-1, IEC 61984	Rated current, min. number of poles (Tu=20°C)	17 A
Rated current, max. number of poles (Tu=20°C)	12 A	Rated current, min. number of poles (Tu=40°C)	14.5 A
Rated current, max. number of poles (Tu=40°C)	10 A	Rated voltage for surge voltage class / pollution degree II/2	320 V
Rated voltage for surge voltage class / pollution degree III/2	160 V	Rated voltage for surge voltage class / pollution degree III/3	160 V
Rated impulse voltage for surge voltage class/ pollution degree II/2	2.5 kV	Rated impulse voltage for surge voltage class/ pollution degree III/2	2.5 kV
Rated impulse voltage for surge voltage class/ contamination degree III/3	2.5 kV	Short-time withstand current resistance	3 x 1s with 100 A

**OMNIMATE Signal - series BL/SL 3.50  
SL 3.50/21/90 3.2SN OR BX**

**Weidmüller Interface GmbH & Co. KG**  
 Klingenbergstraße 26  
 D-32758 Detmold  
 Germany  
 Fon: +49 5231 14-0  
 Fax: +49 5231 14-292083  
 www.weidmueller.com

**Technical data****Rated data acc. to CSA**

Institute (CSA)		Certificate No. (CSA)	154685-1318353
Rated voltage (Use group B / CSA)	300 V	Rated voltage (Use group D / CSA)	300 V
Rated current (Use group B / CSA)	10 A	Rated current (Use group D / CSA)	10 A
Reference to approval values	Specifications are maximum values, details - see approval certificate.		

**Rated data acc. to UL 1059**

Institute (UR)		Certificate No. (UR)	E60693
Rated voltage (Use group B / UL 1059)	300 V	Rated voltage (Use group D / UL 1059)	300 V
Rated current (Use group B / UL 1059)	10 A	Rated current (Use group D / UL 1059)	10 A
Reference to approval values	Specifications are maximum values, details - see approval certificate.		

**Packing**

Packaging	Box	VPE length	40 mm
VPE width	90 mm	VPE height	100 mm

**Classifications**

ETIM 6.0	EC002637	ETIM 7.0	EC002637
eClass 9.0	27-44-04-02	eClass 9.1	27-44-04-02
eClass 10.0	27-44-04-02	UNSPSC	30-21-18-10

**Notes**

Notes	<ul style="list-style-type: none"> <li>• Additional colours on request</li> <li>• Gold-plated contact surfaces on request</li> <li>• Rated current related to rated cross-section &amp; min. No. of poles.</li> <li>• P on drawing = pitch</li> <li>• Rated data refer only to the component itself. Clearance and creepage distances to other components are to be designed in accordance with the relevant application standards.</li> </ul>
IPC conformity	Conformity: The products are developed, manufactured and delivered according international recognized standards and norms and comply with the assured properties in the data sheet resp. fulfill decorative properties in accordance with IPC-A-610 "Class 2". Further claims on the products can be evaluated on request.

**Data sheet****OMNIMATE Signal - series BL/SL 3.50  
SL 3.50/21/90 3.2SN OR BX**

**Weidmüller Interface GmbH & Co. KG**  
Klingenbergstraße 26  
D-32758 Detmold  
Germany  
Fon: +49 5231 14-0  
Fax: +49 5231 14-292083  
www.weidmueller.com

**Technical data****Approvals**

Approvals



ROHS

Conform

**Downloads**Approval/Certificate/Document of  
Conformity[Declaration of the Manufacturer](#)

Brochure/Catalogue

[FL DRIVES EN](#)  
[MB SMT EN](#)  
[FL DRIVES DE](#)  
[MB DEVICE MANUF. EN](#)  
[CAT 2 PORTFOLIOGUIDE EN](#)  
[FL BUILDING SAFETY EN](#)  
[FL APPL LED LIGHTING EN](#)  
[FLIndustr.CONTROLS EN](#)  
[FL MACHINE SAFETY EN](#)  
[FL HEATING ELECTR EN](#)  
[FL APPL INVERTER EN](#)  
[FL\\_BASE\\_STATION\\_EN](#)  
[FL ELEVATOR EN](#)  
[FL POWER SUPPLY EN](#)  
[FL 72H SAMPLE SER EN](#)  
[PO OMNIMATE EN](#)

Engineering Data

[SL.zip](#)

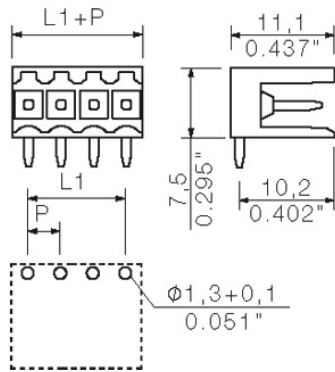
**Data sheet**

**OMNIMATE Signal - series BL/SL 3.50  
SL 3.50/21/90 3.2SN OR BX**

**Weidmüller Interface GmbH & Co. KG**  
 Klingenbergstraße 26  
 D-32758 Detmold  
 Germany  
 Fon: +49 5231 14-0  
 Fax: +49 5231 14-292083  
 www.weidmueller.com

**Drawings**

**Dimensional drawing**



**OMNIMATE Signal - series BL/SL 3.50  
SL 3.50/21/90 3.2SN OR BX**

**Weidmüller Interface GmbH & Co. KG**  
Klingenbergstraße 26  
D-32758 Detmold  
Germany  
Fon: +49 5231 14-0  
Fax: +49 5231 14-292083  
www.weidmueller.com

**Mating connector (conditionally pluggable)**
**BL 3.50/180LH**


Female connectors with clamping yoke screw system for connecting conductors at 3.50 mm pitch. They provide space for labelling and can be coded.

**General ordering data**

Type	BL 3.50/21/180LH SN BK ...	Version	Product data	Packaging
Order No.	<a href="#">1688070000</a>	PCB plug-in connector, female plug, 3.50 mm, Number of poles: 21,	IEC: 320 V / 17 A / 0.2 - 1.5 mm <sup>2</sup>	Box
GTIN (EAN)	4008190853624	180°, Clamping yoke connection, Clamping range, max. : 1.5 mm <sup>2</sup> ,	UL: 300 V / 10 A / AWG 28 - AWG 14	
Qty.	20 pc(s).	Box		
Type	BL 3.50/21/180LH SN OR ...	Version	Product data	Packaging
Order No.	<a href="#">1687840000</a>	PCB plug-in connector, female plug, 3.50 mm, Number of poles: 21,	IEC: 320 V / 17 A / 0.2 - 1.5 mm <sup>2</sup>	Box
GTIN (EAN)	4008190853396	180°, Clamping yoke connection, Clamping range, max. : 1.5 mm <sup>2</sup> ,	UL: 300 V / 10 A / AWG 28 - AWG 14	
Qty.	18 pc(s).	Box		

**BL 3.50/180F**


Female connectors with clamping yoke screw system for connecting conductors at 3.50 mm pitch. They provide space for labelling and can be coded.

**General ordering data**

Type	BL 3.50/21/180F SN BK BX	Version	Product data	Packaging
Order No.	<a href="#">1620880000</a>	PCB plug-in connector, female plug, 3.50 mm, Number of poles: 21,	IEC: 320 V / 17 A / 0.2 - 1.5 mm <sup>2</sup>	Box
GTIN (EAN)	4008190164850	180°, Clamping yoke connection, Clamping range, max. : 1.5 mm <sup>2</sup> ,	UL: 300 V / 10 A / AWG 28 - AWG 14	
Qty.	18 pc(s).	Box		
Type	BL 3.50/21/180F SN DKGK ...	Version	Product data	Packaging
Order No.	<a href="#">1621320000</a>	PCB plug-in connector, female plug, 3.50 mm, Number of poles: 21,	IEC: 320 V / 17 A / 0.2 - 1.5 mm <sup>2</sup>	Box
GTIN (EAN)	4008190171216	180°, Clamping yoke connection, Clamping range, max. : 1.5 mm <sup>2</sup> ,	UL: 300 V / 10 A / AWG 28 - AWG 14	
Qty.	20 pc(s).	Box		
Type	BL 3.50/21/180F SN GY BX	Version	Product data	Packaging
Order No.	<a href="#">1621110000</a>	PCB plug-in connector, female plug, 3.50 mm, Number of poles: 21,	IEC: 320 V / 17 A / 0.2 - 1.5 mm <sup>2</sup>	Box
GTIN (EAN)	4008190168759	180°, Clamping yoke connection, Clamping range, max. : 1.5 mm <sup>2</sup> ,	UL: 300 V / 10 A / AWG 28 - AWG 14	
Qty.	20 pc(s).	Box		
Type	BL 3.50/21/180F SN OR BX	Version	Product data	Packaging
Order No.	<a href="#">1620800000</a>	PCB plug-in connector, female plug, 3.50 mm, Number of poles: 21,	IEC: 320 V / 17 A / 0.2 - 1.5 mm <sup>2</sup>	Box
GTIN (EAN)	4008190163785	180°, Clamping yoke connection, Clamping range, max. : 1.5 mm <sup>2</sup> ,	UL: 300 V / 10 A / AWG 28 - AWG 14	
Qty.	18 pc(s).	Box		

**OMNIMATE Signal - series BL/SL 3.50  
SL 3.50/21/90 3.2SN OR BX**

**Weidmüller Interface GmbH & Co. KG**  
Klingenbergstraße 26  
D-32758 Detmold  
Germany  
Fon: +49 5231 14-0  
Fax: +49 5231 14-292083  
www.weidmueller.com

**Mating connector (conditionally pluggable)**
**BL 3.50/90F**


Female connectors with clamping yoke screw system for connecting conductors at 3.50 mm pitch. They provide space for labelling and can be coded.

**General ordering data**

Type	BL 3.50/21/90F SN BK BX	Version	Product data	Packaging
Order No.	<a href="#">1639430000</a>	PCB plug-in connector, female plug, 3.50 mm, Number of poles: 21,	IEC: 320 V / 12 A / 0.2 - 1.5 mm <sup>2</sup>	Box
GTIN (EAN)	4008190276973	90°, Clamping yoke connection, Clamping range, max. : 1.5 mm <sup>2</sup> , Box	UL: 300 V / 8 A / AWG 28 - AWG 14	
Qty.	20 pc(s).			
Type	BL 3.50/21/90F SN OR BX	Version	Product data	Packaging
Order No.	<a href="#">1639200000</a>	PCB plug-in connector, female plug, 3.50 mm, Number of poles: 21,	IEC: 320 V / 12 A / 0.2 - 1.5 mm <sup>2</sup>	Box
GTIN (EAN)	4008190276744	90°, Clamping yoke connection, Clamping range, max. : 1.5 mm <sup>2</sup> , Box	UL: 300 V / 8 A / AWG 28 - AWG 14	
Qty.	18 pc(s).			

**BL 3.50/270F**


Female connectors with clamping yoke screw system for connecting conductors at 3.50 mm pitch. They provide space for labelling and can be coded.

**General ordering data**

Type	BL 3.50/21/270F SN OR BX	Version	Product data	Packaging
Order No.	<a href="#">1640120000</a>	PCB plug-in connector, female plug, 3.50 mm, Number of poles: 21,	IEC: 320 V / 12 A / 0.2 - 1.5 mm <sup>2</sup>	Box
GTIN (EAN)	4008190277673	270°, Clamping yoke connection, Clamping range, max. : 1.5 mm <sup>2</sup> ,	UL: 300 V / 8 A / AWG 28 - AWG 14	
Qty.	18 pc(s).	Box		
Type	BL 3.50/21/270F SN BK BX	Version	Product data	Packaging
Order No.	<a href="#">1640350000</a>	PCB plug-in connector, female plug, 3.50 mm, Number of poles: 21,	IEC: 320 V / 12 A / 0.2 - 1.5 mm <sup>2</sup>	Box
GTIN (EAN)	4008190277932	270°, Clamping yoke connection, Clamping range, max. : 1.5 mm <sup>2</sup> ,	UL: 300 V / 8 A / AWG 28 - AWG 14	
Qty.	18 pc(s).	Box		

**OMNIMATE Signal - series BL/SL 3.50  
SL 3.50/21/90 3.2SN OR BX**

**Weidmüller Interface GmbH & Co. KG**  
 Klingenbergstraße 26  
 D-32758 Detmold  
 Germany  
 Fon: +49 5231 14-0  
 Fax: +49 5231 14-292083  
 www.weidmueller.com

**Mating connector (fully pluggable)**
**BL 3.50/90**


Female connectors with clamping yoke screw system for connecting conductors at 3.50 mm pitch. They provide space for labelling and can be coded.

**General ordering data**

Type	BL 3.50/21/90 SN OR BX	Version	Product data	Packaging
Order No.	<a href="#">1638740000</a>	PCB plug-in connector, female plug, 3.50 mm, Number of poles: 21,	IEC: 320 V / 12 A / 0.2 - 1.5 mm <sup>2</sup>	Box
GTIN (EAN)	4008190276287	90°, Clamping yoke connection, Clamping range, max. : 1.5 mm <sup>2</sup> , Box	UL: 300 V / 8 A / AWG 28 - AWG 14	
Qty.	24 pc(s).			
Type	BL 3.50/21/90 SN BK BX	Version	Product data	Packaging
Order No.	<a href="#">1638970000</a>	PCB plug-in connector, female plug, 3.50 mm, Number of poles: 21,	IEC: 320 V / 12 A / 0.2 - 1.5 mm <sup>2</sup>	Box
GTIN (EAN)	4008190276515	90°, Clamping yoke connection, Clamping range, max. : 1.5 mm <sup>2</sup> , Box	UL: 300 V / 8 A / AWG 28 - AWG 14	
Qty.	20 pc(s).			

**BL 3.50/270**


Female connectors with clamping yoke screw system for connecting conductors at 3.50 mm pitch. They provide space for labelling and can be coded.

**General ordering data**

Type	BL 3.50/21/270 SN BK BX	Version	Product data	Packaging
Order No.	<a href="#">1639890000</a>	PCB plug-in connector, female plug, 3.50 mm, Number of poles: 21,	IEC: 320 V / 12 A / 0.2 - 1.5 mm <sup>2</sup>	Box
GTIN (EAN)	4008190277444	270°, Clamping yoke connection, Clamping range, max. : 1.5 mm <sup>2</sup> ,	UL: 300 V / 8 A / AWG 28 - AWG 14	
Qty.	20 pc(s).	Box		
Type	BL 3.50/21/270 SN OR BX	Version	Product data	Packaging
Order No.	<a href="#">1639660000</a>	PCB plug-in connector, female plug, 3.50 mm, Number of poles: 21,	IEC: 320 V / 12 A / 0.2 - 1.5 mm <sup>2</sup>	Box
GTIN (EAN)	4008190277215	270°, Clamping yoke connection, Clamping range, max. : 1.5 mm <sup>2</sup> ,	UL: 300 V / 8 A / AWG 28 - AWG 14	
Qty.	24 pc(s).	Box		



**OMNIMATE Signal - series BL/SL 3.50  
SL 3.50/21/90 3.2SN OR BX**

**Weidmüller Interface GmbH & Co. KG**  
Klingenbergstraße 26  
D-32758 Detmold  
Germany  
Fon: +49 5231 14-0  
Fax: +49 5231 14-292083  
www.weidmueller.com

**Mating connector (fully pluggable)**
**BL 3.50/180**


Female connectors with clamping yoke screw system for connecting conductors at 3.50 mm pitch. They provide space for labelling and can be coded.

**General ordering data**

Type	BL 3.50/21/180 SN GY BX	Version	Product data	Packaging
Order No.	<a href="#">1620640000</a>	PCB plug-in connector, female plug, 3.50 mm, Number of poles: 21,	IEC: 320 V / 17 A / 0.2 - 1.5 mm <sup>2</sup>	Box
GTIN (EAN)	4008190160005	180°, Clamping yoke connection, Clamping range, max. : 1.5 mm <sup>2</sup> ,	UL: 300 V / 10 A / AWG 28 - AWG 14	
Qty.	20 pc(s).	Box		
Type	BL 3.50/21/180 SN BK BX	Version	Product data	Packaging
Order No.	<a href="#">1620410000</a>	PCB plug-in connector, female plug, 3.50 mm, Number of poles: 21,	IEC: 320 V / 17 A / 0.2 - 1.5 mm <sup>2</sup>	Box
GTIN (EAN)	4008190155926	180°, Clamping yoke connection, Clamping range, max. : 1.5 mm <sup>2</sup> ,	UL: 300 V / 10 A / AWG 28 - AWG 14	
Qty.	24 pc(s).	Box		
Type	BL 3.50/21/180 SN DKG ...	Version	Product data	Packaging
Order No.	<a href="#">1620720000</a>	PCB plug-in connector, female plug, 3.50 mm, Number of poles: 21,	IEC: 320 V / 17 A / 0.2 - 1.5 mm <sup>2</sup>	Box
GTIN (EAN)	4008190160999	180°, Clamping yoke connection, Clamping range, max. : 1.5 mm <sup>2</sup> ,	UL: 300 V / 10 A / AWG 28 - AWG 14	
Qty.	20 pc(s).	Box		
Type	BL 3.50/21/180 SN OR BX	Version	Product data	Packaging
Order No.	<a href="#">1620330000</a>	PCB plug-in connector, female plug, 3.50 mm, Number of poles: 21,	IEC: 320 V / 17 A / 0.2 - 1.5 mm <sup>2</sup>	Box
GTIN (EAN)	4008190154752	180°, Clamping yoke connection, Clamping range, max. : 1.5 mm <sup>2</sup> ,	UL: 300 V / 10 A / AWG 28 - AWG 14	
Qty.	24 pc(s).	Box		

**BLF 3.50/180**


Connect efficiently - in a small space: female header with spring connection (PUSH IN) as a plug-in connection level; used together with male headers in 3.50 mm pitch.

**General ordering data**

Type	BLF 3.50/21/180 SN OR BX	Version	Product data	Packaging
Order No.	<a href="#">2459240000</a>	PCB plug-in connector, female plug, 3.50 mm, Number of poles: 21,	IEC: 320 V / 17.5 A / 0.14 - 1.5 mm <sup>2</sup>	Box
GTIN (EAN)	4050118474596	180°, PUSH IN, Spring connection, Clamping range, max. : 1.5 mm <sup>2</sup> ,	UL: 300 V / AWG 26 - AWG 16	
Qty.	24 pc(s).	Box		

**OMNIMATE Signal - series BL/SL 3.50  
SL 3.50/21/90 3.2SN OR BX**

**Weidmüller Interface GmbH & Co. KG**  
 Klingenbergstraße 26  
 D-32758 Detmold  
 Germany  
 Fon: +49 5231 14-0  
 Fax: +49 5231 14-292083  
 www.weidmueller.com

**Accessories****LED Light guides****Effective: the link between LED and front panel.**

Floodlight indicators allow users to monitor the switching states without requiring a special design: optical plastic directs the light from standard LEDs around a bend into the connectors or through the front plate.

The fibre-optic elements are simply clipped behind the relevant 90° bend male connectors (90° outlet direction). Versions with different incoming light beam heights achieve maximum light efficiency for LEDs with different designs or heights.

The advantages compared to conventional solutions:

- No additional LED circuit board required behind the front panel
- No "long-legged" LEDs with separate mounting required
- Bent fibre-optic cable line for maximum light efficiency
- Uncomplicated front plate bore holes due to circular shape of outgoing light beam
- Easy to maintain correct clearance and creepage distance
- Can be partitioned for smaller pole numbers

The result: simplified manufacturing process, reduced costs and simplified design

**General ordering data**

Type	SL 3.5 FLA 4.0/1.75/8	Version	Product data	Packaging
Order No.	<a href="#">1597650000</a>	PCB plug-in connector, Accessories, Flood-light display, Transparent,		Box
GTIN (EAN)	4008190027773	Number of poles: 1		
Qty.	50 pc(s).			
Type	SL 3.5 FLA 2.3/1.75/8	Version	Product data	Packaging
Order No.	<a href="#">1597640000</a>	PCB plug-in connector, Accessories, Flood-light display, Transparent,		Box
GTIN (EAN)	4008190011321	Number of poles: 1		
Qty.	25 pc(s).			
Type	SL 3.5 FLA 1.5/8	Version	Product data	Packaging
Order No.	<a href="#">1597510000</a>	PCB plug-in connector, Accessories, Flood-light display, Transparent,		Box
GTIN (EAN)	4008190127541	Number of poles: 1		
Qty.	50 pc(s).			
Type	SL 3.5 FLA 2.3/8	Version	Product data	Packaging
Order No.	<a href="#">1597520000</a>	PCB plug-in connector, Accessories, Flood-light display, Transparent,		Box
GTIN (EAN)	4008190120566	Number of poles: 1		
Qty.	50 pc(s).			
Type	SL 3.5 FLA 4.0/8	Version	Product data	Packaging
Order No.	<a href="#">1597530000</a>	PCB plug-in connector, Accessories, Flood-light display, Transparent,		Box
GTIN (EAN)	4008190075699	Number of poles: 1		
Qty.	50 pc(s).			
Type	SL 3.5 FLA 1.5/1.75/8	Version	Product data	Packaging
Order No.	<a href="#">1597630000</a>	PCB plug-in connector, Accessories, Flood-light display, Transparent,		Box
GTIN (EAN)	4008190148386	Number of poles: 1		
Qty.	50 pc(s).			

## OMNIMATE Signal - series BL/SL 3.50 SL 3.50/21/90 3.2SN OR BX

**Weidmüller Interface GmbH & Co. KG**  
 Klingenbergstraße 26  
 D-32758 Detmold  
 Germany  
 Fon: +49 5231 14-0  
 Fax: +49 5231 14-292083  
 www.weidmueller.com

# Accessories

## Coding elements



**Only connects what is supposed to be connected: the right connection at the right place.**

Coding elements and locking devices clearly assign connecting elements during the manufacturing process and operation

The coding elements and locking devices are inserted prior to assembly or during the cable assembly phase. The Weidmüller alternative: configure online using the variant configurator to precode prior to delivery.

Incorrect assembly on the circuit board and incorrect plugging of connecting elements is no longer possible. The advantage: no troubleshooting during manufacture and no operational errors by the user.

### General ordering data

Type	BL SL 3.5 KO OR	Version	Product data	Packaging
Order No.	<a href="#">1693430000</a>	PCB plug-in connector, Accessories, Coding element, orange, Number		Box
GTIN (EAN)	4008190867447	of poles: 1		
Qty.	100 pc(s).			
Type	BL SL 3.5 KO SW	Version	Product data	Packaging
Order No.	<a href="#">1610100000</a>	PCB plug-in connector, Accessories, Coding element, black, Number		Box
GTIN (EAN)	4008190187637	of poles: 1		
Qty.	100 pc(s).			

## Additional accessories



**No task is too small when creating the perfect solution.** br />

Connections form just one part of the overall process. Small details are often the key to the perfect solution in applications where potentials are tested, grouped or even isolated.

A system is not a system without small but useful details:

- Test plugs - ensure reliable pick-up from diagnostic sockets
- Cross-connectors - ensure a stable electrical distribution contact directly at the connection
- Compartment partition elements - divide a large number of male connectors into several separate socket connector channels
- Locks and clips - optional vibration-resistant clip-on connection or mounting for male and female connectors

In tandem with the manufacturing process and application - more accessories = smaller workload

### General ordering data

Type	BL/SL 3.50 VR OR BX	Version	Product data
Order No.	<a href="#">1669310000</a>	PCB plug-in connector, Accessories, Latches, orange, Number of poles:	
GTIN (EAN)	4008190428488	1	
Qty.	100 pc(s).		

**Data sheet**

**OMNIMATE Signal - series BL/SL 3.50  
SL 3.50/21/90 3.2SN OR BX**

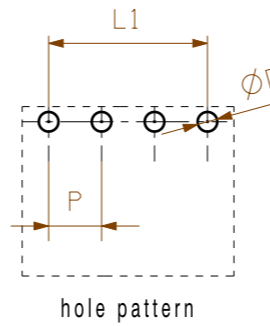
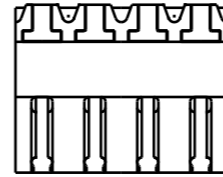
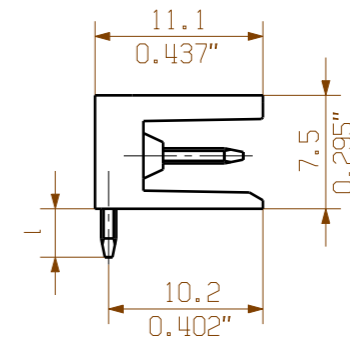
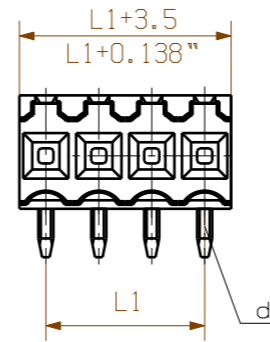
**Weidmüller Interface GmbH & Co. KG**  
 Klingenbergstraße 26  
 D-32758 Detmold  
 Germany  
 Fon: +49 5231 14-0  
 Fax: +49 5231 14-292083  
 www.weidmueller.com

**Accessories**

Type	BL/SL 3.50 VR BK BX	Version	Product data
Order No.	<a href="#">1669300000</a>	PCB plug-in connector, Accessories, Latches, black, Number of poles:	
GTIN (EAN)	4008190428471	1	
Qty.	100 pc(s).		

The reproduction, distribution and utilization of this document as well as the communication of its contents to others without explicit authorization is prohibited. Offenders will be held liable for the payment of damages. Weidmüller exclusively reserves the right to file for patents, utility models or designs.

© Weidmüller Interface GmbH & Co. KG



hole pattern

P = 3.50 Raster Pitch

D = Ø1,3<sup>+0.1</sup>  
Ø0.051<sup>+0.1</sup>

d = 1,2mm oktogonal  
0.047<sup>o</sup> octogonal

shown : SL 3.50/04/90

1,5	0,1 -0,3
3,2	0,1 -0,3
4,5	0,1 -0,3
pin length / Stiftlänge l	tolerance / Toleranz

n	Polzahl/ no of poles	L1	Toleranz/ tolerance L1
24		80.5	+/-0.2
23		77.0	
22		73.5	
21		70.0	
20		66.5	
19		63.0	
18		59.5	
17		56.0	+/-0.15
16		52.5	
15		49.0	
14		45.5	
13		42.0	+/-0.1
12		38.5	
11		35.0	
10		31.5	
9		28.0	
8		24.5	
7		21.0	
6		17.5	
5		14.0	
4		10.5	
3		7.0	
2		3.5	

For the mounting of PCBs, it should be noted that the rated data given in the catalogue relates only to the connection elements. The necessary creepage and clearance paths must be observed in connection with the respective applicant in accordance to VDE 0110. The current-carrying capacity and pitch tolerance is to be determined according to DIN IEC 326 part 3 very fine.

Weidmüller connectors are tested to the DIN VDE 0627 standard, and are valid for its field of application. Provided that the connectors are used to the intended purpose, all requirements with respect to the occurring of electrical, mechanical, thermic and corrosive stress will be satisfied.

General tolerance: DIN ISO 2768-mK		96310/5 06.07.17 HELIS_MA 00		Cat.no.: .	
		Modification			
		Drawn	Date	Name	<b>3 19670</b> <b>48</b> Drawing no. Issue no. Sheet 01 of 03 sheets
Responsible	21.08.2008	HELIS_MA	<b>SL 3.50/.. /90...</b> STIFTLAISTE MALE HEADER		
Checked	20.09.2017	HERTEL_S		Product file: SL 3.50	
Supersedes: .	Approved	LANG_T	7296		

## Recommended wave soldering profiles

**Weidmüller Interface GmbH & Co. KG**  
 Klingenbergstraße 16  
 D-32758 Detmold  
 Germany  
 Fon: +49 5231 14-0  
 Fax: +49 5231 14-292083  
 www.weidmueller.com

### Single Wave:



### Double Wave:



### Wave soldering profiles

Wired connection elements should be processed in accordance with the DIN EN 61760-1 standard. We have included two recommendations for practical wave soldering profiles, with which Weidmüller PCB terminals and connectors are qualified.

When choosing a suitable profile for your application, the following factors also need to be considered:

- PCB thickness
- Proportion of Cu in the layers
- Single/double-sided assembly
- Product range
- Heating and cooling rates

The single and double wave profiles each indicate the recommended operating range, including the maximum soldering temperature of 260°C. In practice, the maximum soldering temperature is quite often well below the above maximum profile.