

## Klippon Control Station (control and signalling device)

### KLIPPON CS POK 122209-2

**Weidmüller Interface GmbH & Co. KG**  
 Klingenbergstraße 26  
 D-32758 Detmold  
 Germany  
 Fon: +49 5231 14-0  
 Fax: +49 5231 14-292083  
 www.weidmueller.com



On-site control with Ex-certified Klippon® Control Station:  
 small command and signalling devices  
 Approved operating and display elements in stainless  
 steel, aluminium or polyester enclosures.  
 You want to control and safeguard your work processes  
 in hazardous areas. For on-site control - approved  
 Klippon® enclosure solutions with control and display  
 elements. Let's connect.

#### General ordering data

Type	KLIPPON CS POK 122209-2
Order No.	<a href="#">1537170000</a>
Version	Klippon Control Station (control and signalling device), Control / signalling device, KLIPPON POK 122209 EX, Glass-fibre reinforced polyester with graphite mixture, Pushbutton - green, Pushbutton - red, EMERGENCY-STOP pushbutton with yellow, contrasting label, 2 NO contacts, 2 NC contact, positive opening contacts, -55 °C...+55 °C, IP54, IP66
GTIN (EAN)	4050118341096
Qty.	1 pc(s).
Creation date	May 4, 2020 1:21:00 AM CEST
Reference product	<a href="#">1306070000</a>

Catalogue status 17.04.2020 / We reserve the right to make technical changes.

## Klippon Control Station (control and signalling device)

### KLIPPON CS POK 122209-2

**Weidmüller Interface GmbH & Co. KG**  
 Klingenbergstraße 26  
 D-32758 Detmold  
 Germany  
 Fon: +49 5231 14-0  
 Fax: +49 5231 14-292083  
 www.weidmueller.com

## Technical data

### Dimensions and weights

Width	120 mm	Width (inches)	4.724 inch
Height	220 mm	Height (inches)	8.661 inch
Height of lowest version	90 mm	Depth	90 mm
Depth (inches)	3.543 inch	Mounting dimension - width	204 mm
Mounting dimension - height	82 mm	Net weight	1,655 g
Depth with add-on components	128 mm		

### Certificate numbers enclosure

Certificate no. assembled enclosure (ATEX)	TÜV 14 ATEX 7606 X	Certificate no. assembled enclosure (IECEX)	IECEX ITA 14.0013X
Certificate No. (MARITREG)	15.40082.250		

### General information

1 Position in enclosure	Pushbutton - green	2 Position in enclosure	Pushbutton - red
3 Position in enclosure	EMERGENCY-STOP pushbutton with yellow, contrasting label	Contact design	2 NO contacts, 2 NC contact, positive opening contacts
Operating voltage, max.	400 V	Operating current at 40°C ambient temperature, max.	1.5 mm <sup>2</sup> - T6 10 A, 1.5 mm <sup>2</sup> - T5 16 A, 2.5 mm <sup>2</sup> - T6 16 A
Operating current at 55°C ambient temperature, max.	1.5 mm <sup>2</sup> - T4 16 A, 1.5 mm <sup>2</sup> - T5 10 A, 2.5 mm <sup>2</sup> - T5 16 A	Actuators	Pushbutton, EMERGENCY STOP pushbutton
Actuator colour	green, red	Drill holes side B	1 x M25
UL 94 flammability rating	V-0	Lid attachment	Crosshead screws, stainless steel
Seal material of operating and display elements	EPDM	Enclosure seal material	Silicone (VMQ)
Torque for lid screws	2.5 Nm	External earth	Available on request
Marking	II 2 G Ex d e IIC T <sup>+</sup> Gb, II 2 D Ex tb IIIC T <sup>+</sup> C Db	Cable gland clamping area, max.	17 mm
Cable gland clamping area, min.	12 mm	Wire connection cross section, finely stranded, max.	2.5 mm <sup>2</sup>
Type of mounting	Wall mounting	Surface finish	untreated
Impact resistance	7 joules in acc. with IEC 60079-0	Temperature class	T4, T5, T6
Material	Glass-fibre reinforced polyester with graphite mixture		

### Housing

Drill holes side B	Material	Glass-fibre reinforced polyester with graphite mixture
1 x M25		

### Classifications

ETIM 6.0	EC002503	ETIM 7.0	EC002503
eClass 9.0	27-18-05-02	eClass 9.1	27-18-05-90
eClass 10.0	27-18-05-02		

**Data sheet****Klippon Control Station (control and signalling device)  
KLIPPON CS POK 122209-2**

**Weidmüller Interface GmbH & Co. KG**  
Klingenbergstraße 26  
D-32758 Detmold  
Germany  
Fon: +49 5231 14-0  
Fax: +49 5231 14-292083  
www.weidmueller.com

**Technical data****Approvals**

Approvals

**Downloads**

Brochure/Catalogue	<a href="#">CAT 5 ENCL 17/18 EN</a> <a href="#">PI KLIPPON CS EN</a>
Engineering Data	<a href="#">EPLAN_WSCAD</a>

**Klippon Control Station (control and signalling device)**

**KLIPPON CS POK 122209-2**

**Weidmüller Interface GmbH & Co. KG**

Klingenbergstraße 26

D-32758 Detmold

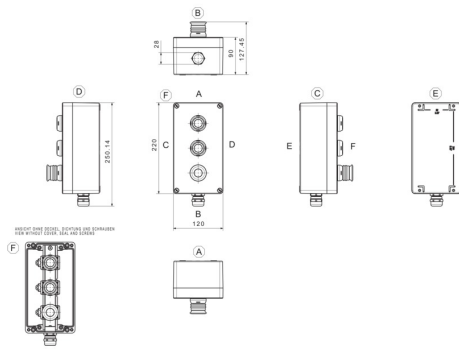
Germany

Fon: +49 5231 14-0

Fax: +49 5231 14-292083

www.weidmueller.com

**Drawings**



**Klippon CS POK 122209 - 4 - LcBmarLaBmpg**

Actuating and illuminating elements
B: Button
I: Illuminated button
L: Lamp
e: NO
m:NC and NO
e: NC
g: Green
r: Red
e: Emergency Stop
p: Push
k: Key
3: Positions of the switch
Drilling design
Dimensions
Enclosure Range
POK (Polyester)
K (Aluminium)
STB (Stainless Steel)
Product Name
Control Station
Brand Name
Klippon®

**Data sheet**

**Klippon Control Station (control and signalling device)  
KLIPPON CS POK 122209-2**

**Weidmüller Interface GmbH & Co. KG**  
Klingenbergstraße 26  
D-32758 Detmold  
Germany  
Fon: +49 5231 14-0  
Fax: +49 5231 14-292083  
www.weidmueller.com

**Accessories**

**Klippon® POK mounting feet**



**Mounting feet for Klippon® POK enclosure**

Rear-wall mounting directly onto the wall is possible with the aid of fixing holes.  
The mounting feet make it easy to mount the enclosure from outside without having to open the cover.  
The mounting feet are available as accessories in two versions.

**General ordering data**

Type	MF POK BIG	Version
Order No.	<a href="#">9510910000</a>	Klippon POK (polyester empty enclosure), Mounting foot, Fixing lugs,
GTIN (EAN)	4032248009756	Material: Stainless steel 1.4301, Miscellaneous
Qty.	1 pc(s).	

## Klippon POK (polyester empty enclosure) KLIPPON POK 122209 EX

**Weidmüller Interface GmbH & Co. KG**  
Klingenbergstraße 26  
D-32758 Detmold  
Germany  
Fon: +49 5231 14-0  
Fax: +49 5231 14-292083  
www.weidmueller.com



### Klippon® POK – polyester enclosure

The glass-fibre reinforced polyester enclosures of the Klippon® POK range offer a high-quality solution for protecting electrical components. These enclosures are ideal wherever corrosion resistance, shock resistance and a high degree of protection are required.

#### Features:

- glass-fibre reinforced polyester
- 17 sizes
- Two standard colours: grey (similar to RAL 7001) and black (similar to RAL 9011)
- Cover with stainless steel screws in cross-head / slotted design
- Moulded gasket made of silicone or chloroprene
- Fixing holes outside the sealed area
- Mounting directly in the enclosure or using an internal mounting plate
- Direct wall mounting possible using fixing holes or mounting feet
- Fastening thread to attach mounting rails and plates
- Weidmüller can manufacture and supply this enclosure to match customer specifications - fitted with all necessary terminals and cable glands.

### General ordering data

Type	KLIPPON POK 122209 EX
Order No.	<a href="#">1306070000</a>
Version	Klippon POK (polyester empty enclosure), Empty enclosure, Height: 120 mm, Width: 220 mm, Depth: 90 mm, Material: Glass fibre-reinforced polyester, untreated, polished, black
GTIN (EAN)	4050118108385
Qty.	1 pc(s).
Required tool	<a href="#">9008540000</a>

## Klippon POK (polyester empty enclosure) KLIPPON POK 122209 EX

**Weidmüller Interface GmbH & Co. KG**  
Klingenbergstraße 26  
D-32758 Detmold  
Germany  
Fon: +49 5231 14-0  
Fax: +49 5231 14-292083  
www.weidmueller.com

### Technical data

#### Dimensions and weights

Width	220 mm	Width (inches)	8.661 inch
Height	120 mm	Height (inches)	4.724 inch
Height of lowest version	90 mm	Depth	90 mm
Depth (inches)	3.543 inch	Mounting dimension - width	204 mm
Mounting dimension - height	82 mm	Net weight	1,110 g

#### Cable glands, left

M12	8	M16	4
M20	3	M25	1
M32	1		

#### Cable glands, right

M12	8	M16	4
M20	3	M25	1
M32	1		

#### Cable glands, top/bottom

M12	24	M16	14
M20	12	M25	5
M32	4	M40	3

#### Certificate numbers enclosure

Certificate no. empty enclosure (ATEX)	IBExU13ATEX1030 U	Certificate no. empty enclosure (IECEX)	IECEX IBE 13.0003U
Certificate no., assembled enclosure (EAC)	RU C-DE.ГБ08.B.01328	Certificate no., empty enclosure (EAC)	RU C-DE.ГБ08.B.00472
Certificate no. assembled enclosure (AEx)	E223792	Certificate no. empty enclosure (AEx)	E223792
Certificate no., assembled enclosure (KOSHA)	16-AV4BO-0246X	Certificate No. (GERMILLOYD)	TAE00002R2
Certificate No. (MARITREG)	19.00109.272	Certificate no. (cULus)	E256877

#### General information

Areas of use	Explosive risk zone, Harbour facilities, Machine construction, Process industry, Transportation	Installation advice	Direct mounting, Mounting straps
Material thickness	4.39 mm	Material thickness of cover	5 mm
Material thickness of enclosure	4.39 mm	Standards	DIN EN 62208 - Empty enclosure standard, IEC 60079-0, IEC 60079-7, IEC 60079-31
Torque for lid screws	2.5 Nm	UL 94 flammability rating	V-0
Material	Glass fibre-reinforced polyester	Seal material	Silicone
Surface finish	untreated, polished	Operating temperature, min.	-55 °C
Operating temperature, max.	100 °C	Impact resistance	7 J ATEX version
Protection degree	IP66	Enclosure attachment	Installation through the housing rear wall, Fixing lugs
Lid attachment	Slotted/Phillips screws		

Creation date May 4, 2020 1:21:00 AM CEST

**Klippon POK (polyester empty enclosure)  
KLIPPON POK 122209 EX**

**Weidmüller Interface GmbH & Co. KG**  
 Klingenbergstraße 26  
 D-32758 Detmold  
 Germany  
 Fon: +49 5231 14-0  
 Fax: +49 5231 14-292083  
 www.weidmueller.com

**Technical data****General information on accessories**

Material	Glass fibre-reinforced polyester	Material thickness	4.39 mm
Mounting dimension - height	82 mm	Mounting dimension - width	204 mm
Surface finish	untreated, polished		

**horizontal assembly**

WDU 10 / ZDU 10	1x15	WDU 16 / ZDU 16	1x13
WDU 2,5 / ZDU 2,5 / IDU 2,5	1x31	WDU 4 / ZDU 4	1x26
WDU 6 / ZDU 6	1x19		

**vertical assembly**

WDU 2,5 / ZDU 2,5 / IDU 2,5	*	WDU 4 / ZDU 4	*
-----------------------------	---	---------------	---

**Classifications**

ETIM 6.0	EC002503	ETIM 7.0	EC002503
eClass 9.0	27-18-05-02	eClass 9.1	27-18-05-02
eClass 10.0	27-18-05-02		

**Approvals**

Approvals



ROHS Conform

**Downloads**

Approval/Certificate/Document of Conformity	<a href="#">Attestation of Conformity - Klippon POK Empty Enclosures - AoC DE PS2600_160308_001ISS01</a> <a href="#">EU Declaration of Conformity - Klippon POK Empty Enclosures Ex - DoC DE PS2600_160412_001ISS01</a>
Brochure/Catalogue	<a href="#">MB OVERV. PROCESS WD DE</a> <a href="#">MB KLIPPON ENCL.TECN EN</a> <a href="#">MB PROCESS EN</a> <a href="#">CAT 5 ENCL 17/18 EN</a> <a href="#">FL KLIPPON POK EN</a> <a href="#">FL SHIPBUILDING 2016 EN</a>
Engineering Data	<a href="#">EPLAN, WSCAD</a>
Engineering Data	<a href="#">STEP</a>
Tender specification	<a href="#">Klippon POK 122209 Ex_1306070000_DE</a> <a href="#">Klippon POK 122209 Ex_1306070000_EN</a>
User Documentation	<a href="#">MB KLIPPON ENCL.TECN DE</a> <a href="#">Assembly guidelines - empty enclosures</a>

Creation date May 4, 2020 1:21:00 AM CEST

Catalogue status 17.04.2020 / We reserve the right to make technical changes.

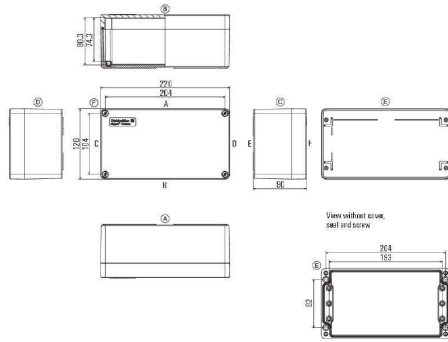


**Data sheet**

**Klippon POK (polyester empty enclosure)  
KLIPPON POK 122209 EX**

**Weidmüller Interface GmbH & Co. KG**  
Klingenbergstraße 26  
D-32758 Detmold  
Germany  
Fon: +49 5231 14-0  
Fax: +49 5231 14-292083  
www.weidmueller.com

**Drawings**



## Klippon POK (polyester empty enclosure) KLIPPON POK 122209 EX

**Weidmüller Interface GmbH & Co. KG**  
 Klingenbergstraße 26  
 D-32758 Detmold  
 Germany  
 Fon: +49 5231 14-0  
 Fax: +49 5231 14-292083  
 www.weidmueller.com

# Accessories

### Klippon® POK installation material



#### Integrate, expand and customise - the perfect supplement to every application

The consistent structure of system accessories for the Klippon® POK enclosure range allows you to easily adapt the enclosure to meet the specific requirements of every application.

The range includes:

- Mounting plates
- Earthing plates
- Mounting feet

Our assembly service includes the delivery of the enclosure ready to be connected and suitable for every application.

### General ordering data

Type	SD FIXING SET POK	Version
Order No.	<a href="#">1463490000</a>	Klippon POK (polyester empty enclosure), Identification plate fixing set
GTIN (EAN)	4050118299878	
Qty.	1 pc(s).	
Type	TPSD FIXING SET POK	Version
Order No.	<a href="#">1435840000</a>	Klippon POK (polyester empty enclosure), Type plate fixings set,
GTIN (EAN)	4050118240771	Material: Stainless steel, rust-proof, untreated
Qty.	1 pc(s).	

### Klippon® POK mounting plates



#### Mounting plates for Klippon® POK enclosures

Mounting plates made out of 2 mm sheet steel, for longitudinal and transverse mounting of DIN rails, or for mounting components directly onto the mounting plate.

### General ordering data

Type	POK MOPL 1222	Version
Order No.	<a href="#">9510600000</a>	Klippon POK (polyester empty enclosure), Mounting plate, Height:
GTIN (EAN)	4008190498238	107 mm, Width: 207 mm, Depth: 1.5 mm, Material: Sheet steel,
Qty.	1 pc(s).	galvanized, Miscellaneous, silver

## Klippon POK (polyester empty enclosure) KLIPPON POK 122209 EX

**Weidmüller Interface GmbH & Co. KG**  
Klingenbergstraße 26  
D-32758 Detmold  
Germany  
Fon: +49 5231 14-0  
Fax: +49 5231 14-292083  
www.weidmueller.com

## Accessories

### Klippon® POK earthing stud



#### Integrate, expand and customise - the perfect supplement to every application

The consistent structure of system accessories for the Klippon® POK enclosure range allows you to easily adapt the enclosure to meet the specific requirements of every application.

The range includes:

- Mounting plates
- Earthing plates
- Mounting feet

Our assembly service includes the delivery of the enclosure ready to be connected and suitable for every application.

### General ordering data

Type	PEBZ M10 S4 SET	Version
Order No.	<a href="#">1283440000</a>	Klippon POK (polyester empty enclosure), Earthing stud,
GTIN (EAN)	4050118073362	Miscellaneous, Material: Stainless steel 1.4404 (316L)
Qty.	1 pc(s).	
Type	PEBZ M6 BR SET	Version
Order No.	<a href="#">1277250000</a>	Klippon POK (polyester empty enclosure), Earthing stud,
GTIN (EAN)	4050118067149	Miscellaneous, Material: Brass
Qty.	1 pc(s).	
Type	PEBZ M6 S4 SET	Version
Order No.	<a href="#">1283430000</a>	Klippon POK (polyester empty enclosure), Earthing stud,
GTIN (EAN)	4050118073607	Miscellaneous, Material: Stainless steel 1.4404 (316L)
Qty.	1 pc(s).	
Type	PEBZ M10 BR SET	Version
Order No.	<a href="#">1277220000</a>	Klippon POK (polyester empty enclosure), Earthing stud,
GTIN (EAN)	4050118067019	Miscellaneous, Material: Brass
Qty.	1 pc(s).	

## Klippon POK (polyester empty enclosure) KLIPPON POK 122209 EX

**Weidmüller Interface GmbH & Co. KG**  
Klingenbergstraße 26  
D-32758 Detmold  
Germany  
Fon: +49 5231 14-0  
Fax: +49 5231 14-292083  
www.weidmueller.com

## Accessories

### TS 35



#### Integrate, expand and customise - the perfect supplement to every application

The consistent structure of system accessories for the Klippon® POK enclosure range allows you to easily adapt the enclosure to meet the specific requirements of every application.

The range includes:

- Mounting plates
- Earthing plates
- Mounting feet

Our assembly service includes the delivery of the enclosure ready to be connected and suitable for every application.

#### General ordering data

Type	TS35X7.5 ST POK 1222	Version
Order No.	<a href="#">8000037568</a>	Terminal rails, Rail, Material: Steel
GTIN (EAN)	4050118678147	
Qty.	20 pc(s).	

### Spacer



#### Integrate, expand and customise - the perfect supplement to every application

The fully structured range of system accessories for the new Klippon® TB enclosure series allows you to easily adapt the enclosures to meet the specific requirements of every application.

The following options are available:

- Document holders
- Flange plates
- Mounting plates
- Locking systems
- Type label holders
- Rain hoods
- Earthing studs

#### General ordering data

Type	SP M6 30 S2	Version
Order No.	<a href="#">0935140000</a>	Klippon TB (Terminal Box), Spacer
GTIN (EAN)	4032248699117	
Qty.	4 pc(s).	
Type	SP M6 20 S2	Version
Order No.	<a href="#">0935130000</a>	Klippon TB (Terminal Box), Spacer
GTIN (EAN)	4032248699001	
Qty.	4 pc(s).	

## Klippon POK (polyester empty enclosure) KLIPPON POK 122209 EX

**Weidmüller Interface GmbH & Co. KG**  
 Klingenbergstraße 26  
 D-32758 Detmold  
 Germany  
 Fon: +49 5231 14-0  
 Fax: +49 5231 14-292083  
 www.weidmueller.com

## Accessories

Type	SP M6 15 S2	Version
Order No.	<a href="#">0935120000</a>	Klippon TB (Terminal Box), Spacer
GTIN (EAN)	4032248699056	
Qty.	4 pc(s).	
Type	SP M6 10 S2	Version
Order No.	<a href="#">0935110000</a>	Klippon TB (Terminal Box), Spacer
GTIN (EAN)	4032248699049	
Qty.	4 pc(s).	

## Klippon® POK mounting plates for applications with earthing plates



### Integrate, expand and customise - the perfect supplement to every application

The consistent structure of system accessories for the Klippon® POK enclosure range allows you to easily adapt the enclosure to meet the specific requirements of every application.

The range includes:

- Mounting plates
- Earthing plates
- Mounting feet

Our assembly service includes the delivery of the enclosure ready to be connected and suitable for every application.

### General ordering data

Type	POK MOPL 1222 MINI	Version
Order No.	<a href="#">1534350000</a>	Klippon POK (polyester empty enclosure), Mounting plate, Height:
GTIN (EAN)	4050118337990	77 mm, Width: 207 mm, Depth: 1.5 mm, Material: Sheet steel,
Qty.	1 pc(s).	galvanized, galvanized, silver

## Klippon® POK earthing plates



### Brass earthing plates (Earth Continuity Plate) for the Klippon® POK enclosure

In order to provide internal earthing (especially for the Ex version) earth continuity plates in an angled design are available for the Klippon® POK enclosure.

These internal earth continuity plates are for the usage of metal glands and the design of EMC applications; they offer enhanced protection and are available separately.

### General ordering data

Type	KLIPPON COPL 122209	Version
Order No.	<a href="#">1390980000</a>	Klippon POK (polyester empty enclosure), Earthing plate, Width: 57.5
GTIN (EAN)	4050118191080	mm, Material: Brass, polished, untreated
Qty.	1 pc(s).	

**Klippon POK (polyester empty enclosure)  
KLIPPON POK 122209 EX**

**Weidmüller Interface GmbH & Co. KG**  
Klingenbergstraße 26  
D-32758 Detmold  
Germany  
Fon: +49 5231 14-0  
Fax: +49 5231 14-292083  
www.weidmueller.com

**Accessories**
**Klippon® POK mounting feet**

**Mounting feet for Klippon® POK enclosure**

Rear-wall mounting directly onto the wall is possible with the aid of fixing holes.  
The mounting feet make it easy to mount the enclosure from outside without having to open the cover.  
The mounting feet are available as accessories in two versions.

**General ordering data**

Type	MF POK BIG	Version
Order No.	<a href="#">9510910000</a>	Klippon POK (polyester empty enclosure), Mounting foot, Fixing lugs,
GTIN (EAN)	4032248009756	Material: Stainless steel 1.4301, Miscellaneous
Qty.	1 pc(s).	

**Screwing**

**Klippon® Connect with clamping yoke Technology**

The high reliability and variety of designs of the terminal blocks with clamping yoke connections make planning easier and optimises operational safety. Klippon® Connect provides a proven response to a range of different requirements.

**General ordering data**

Type	FKSC M5X8 D9/SW2.5	Version
Order No.	<a href="#">0295900000</a>	SAK Series, Allen hex screw, Screws, Number of poles: 1
GTIN (EAN)	4008190133337	
Qty.	50 pc(s).	

**Klippon POK (polyester empty enclosure)  
KLIPPON POK 122209 EX**

**Weidmüller Interface GmbH & Co. KG**  
Klingenbergstraße 26  
D-32758 Detmold  
Germany  
Fon: +49 5231 14-0  
Fax: +49 5231 14-292083  
www.weidmueller.com

**Accessories**
**Spacer**


For many years, the name Klippon® has stood for competence and quality in enclosures. The Klippon® EBi industrial enclosure series protects your components reliably if they are used in moderate environmental conditions and is designed for everyday applications. With the ever-increasing need for individual application solutions, the Klippon® EBi with its high degree of protection and impact resistance is ideally suited to your needs. Our standard product is the Klippon® EBi QL – with hinged door and double-bit key lock. A variant with mounting screws is also available, but is only manufactured on request and is subject to a minimum order quantity. DNV GL and cULus approvals are also available on request.

**General ordering data**

Type	SP M6 20 MSZN	Version
Order No.	<a href="#">3896200000</a>	Klippon EBi (Essential Box industrial), Spacer, silver
GTIN (EAN)	4008190850234	
Qty.	2 pc(s).	
Type	SP M6 15 MSZN	Version
Order No.	<a href="#">3896100000</a>	Klippon EBi (Essential Box industrial), Spacer, silver
GTIN (EAN)	4008190857851	
Qty.	2 pc(s).	
Type	SP M6 30 MSZN	Version
Order No.	<a href="#">3896300000</a>	Klippon EBi (Essential Box industrial), Spacer, silver
GTIN (EAN)	4008190850241	
Qty.	2 pc(s).	

**TS 35**


The Klippon® brand has long stood for competence and quality in housings – particularly when turnkey, customer-specific solutions for standard industrial applications and applications in explosive risk zones are concerned. Improved products that meet all application requirements: this was Weidmüller's aim when modernising and upgrading the Klippon® K enclosure series. No matter what kind of application the customer is planning; Weidmüller is able to provide a wide range of aluminium enclosures precisely fitting the customer's requirements.

**General ordering data**

Type	TS35X7.5 ST K51	Version
Order No.	<a href="#">8000003907</a>	Rail, TS 35, TS 35 x 7.5, Length: 203 mm, without slot, Steel, galvanized, chromium-plated
GTIN (EAN)	4050118652642	
Qty.	20 pc(s).	