

Industrial Ethernet IE-FC-SET-SPDED001-KN-P

Weidmüller Interface GmbH & Co. KG
 Klingenbergstraße 26
 D-32758 Detmold
 Germany
 Fon: +49 5231 14-0
 Fax: +49 5231 14-292083
 www.weidmueller.com



FrontCom® Vario integrates multiple functions in only one single frame. The system is easy to install and you can select from a wide range of data, signal and power modules. In addition to being extremely compact, FrontCom® Vario offers a number of unique product features that will make your project planning and work activities secure, fast and future-proof. Furthermore, the FrontCom® Vario system has an attractive housing design that, by the way, offers highest impact-resistance and fully meets the requirements of IP 65 protection class.

General ordering data

Type	IE-FC-SET-SPDED001-KN-P
Order No.	1529580000
Version	FrontCom, Set
GTIN (EAN)	4050118334432
Qty.	1 pc(s).
Reference product	1450510000 1450550000 1450730000 1019570000 1962840000

Creation date May 4, 2020 1:38:05 AM CEST

Catalogue status 17.04.2020 / We reserve the right to make technical changes.

**Industrial Ethernet
IE-FC-SET-SPDED001-KN-P**

Weidmüller Interface GmbH & Co. KG
 Klingenbergstraße 26
 D-32758 Detmold
 Germany
 Fon: +49 5231 14-0
 Fax: +49 5231 14-292083
 www.weidmueller.com

Technical data
Dimensions and weights

Width	67 mm	Width (inches)	2.638 inch
Height	40 mm	Height (inches)	1.575 inch
Depth	134 mm	Depth (inches)	5.276 inch
Net weight	451 g		

Environmental Product Compliance

REACH SVHC	Lead 7439-92-1, Potassium perfluorobutane sulfonate 29420-49-3
------------	--

General data

Material cover	Polycarbonate PC	Material frame	Zinc diecast
Product type	Set	Protection degree	IP65, in closed state

General standards

Certificate No. (GERMLLOYD)	13866-15
-----------------------------	----------

Classifications

ETIM 6.0	EC001031	ETIM 7.0	EC001031
eClass 9.0	27-18-27-02	eClass 9.1	27-18-27-90
eClass 10.0	27-18-27-02	UNSPSC	31-16-23-03

Approvals

Approvals



ROHS	Conform
------	---------

Downloads

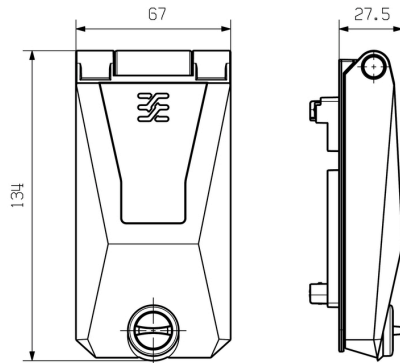
Approval/Certificate/Document of Conformity	GL_FrontCom
Brochure/Catalogue	CAT 9 IETH 18/19 EN FL FIELDWIRING EN PI FRONTCOM EN PI PROFINET CABLING EN
User Documentation	MAN IE GUIDE DE MAN IE GUIDE EN

Data sheet

**Industrial Ethernet
IE-FC-SET-SPDED001-KN-P**

Weidmüller Interface GmbH & Co. KG
Klingenbergstraße 26
D-32758 Detmold
Germany
Fon: +49 5231 14-0
Fax: +49 5231 14-292083
www.weidmueller.com

Drawings



**Industrial Ethernet
IE-FC-SFP-KNOB**

Weidmüller Interface GmbH & Co. KG
 Klingenbergstraße 26
 D-32758 Detmold
 Germany
 Fon: +49 5231 14-0
 Fax: +49 5231 14-292083
 www.weidmueller.com



FrontCom® Vario integrates multiple functions in only one single frame. The system is easy to install and you can select from a wide range of data, signal and power modules. In addition to being extremely compact, FrontCom® Vario offers a number of unique product features that will make your project planning and work activities secure, fast and future-proof. Furthermore, the FrontCom® Vario system has an attractive housing design that, by the way, offers highest impact-resistance and fully meets the requirements of IP 65 protection class.

General ordering data

Type	IE-FC-SFP-KNOB
Order No.	1450510000
Version	FrontCom, Single frame, Plastic cover, Control knob locking
GTIN (EAN)	4050118255454
Qty.	1 pc(s).

**Industrial Ethernet
IE-FC-SFP-KNOB**

Weidmüller Interface GmbH & Co. KG
 Klingenbergstraße 26
 D-32758 Detmold
 Germany
 Fon: +49 5231 14-0
 Fax: +49 5231 14-292083
 www.weidmueller.com

Technical data**Dimensions and weights**

Width	67 mm	Width (inches)	2.638 inch
Height	27.5 mm	Height (inches)	1.083 inch
Depth	134 mm	Depth (inches)	5.276 inch
Wall thickness, max.	5 mm	Wall thickness, min.	1 mm
Net weight	322.53 g		

Temperatures

Operating temperature, max.	70 °C	Operating temperature, min.	-40 °C
Operating temperature	-40 °C...70 °C		

General data

Material cover	Polycarbonate PC	Material frame	Zinc diecast
Product type	Single frame, Plastic cover, Control knob locking	Protection degree	IP65, in closed state

General standards

Certificate No. (GERMLLOYD)	13866-15
-----------------------------	----------

Classifications

ETIM 6.0	EC001031	ETIM 7.0	EC001031
eClass 9.0	27-18-27-02	eClass 9.1	27-18-27-90
eClass 10.0	27-18-27-02	UNSPSC	31-16-23-03

Approvals

Approvals



ROHS	Conform
------	---------

Downloads

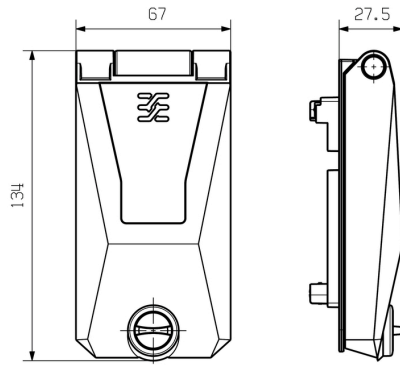
Approval/Certificate/Document of Conformity	GL_FrontCom
Brochure/Catalogue	CAT 9 IETH 18/19 EN FL FIELDWIRING EN PI FRONTCOM EN PI PROFINET CABLING EN
Engineering Data	EPLAN
Engineering Data	STEP
Product Change Notification	FrontCom Vario Single Frame EN FrontCom Vario Single Frame DE
User Documentation	MAN IE GUIDE DE MAN IE GUIDE EN Manual Designation key / Type key

**Industrial Ethernet
IE-FC-SFP-KNOB**

Weidmüller Interface GmbH & Co. KG
 Klingenbergstraße 26
 D-32758 Detmold
 Germany
 Fon: +49 5231 14-0
 Fax: +49 5231 14-292083
 www.weidmueller.com

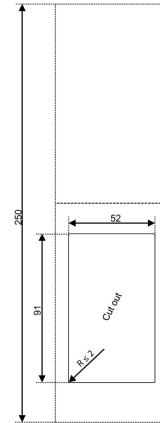
Drawings

Dimensioned drawing



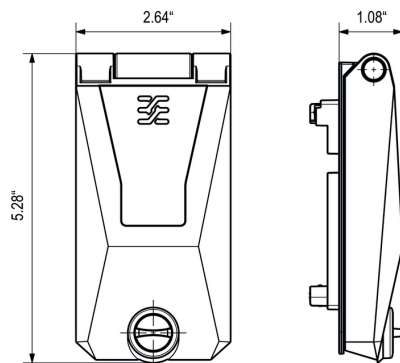
Unit: mm

Installation cut-out



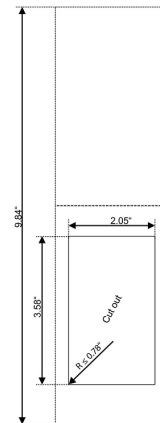
Unit: mm

Dimensioned drawing



Unit: in

Installation cut-out



Unit: in

**Industrial Ethernet
IE-FC-SFP-KNOB**

Weidmüller Interface GmbH & Co. KG
 Klingenbergstraße 26
 D-32758 Detmold
 Germany
 Fon: +49 5231 14-0
 Fax: +49 5231 14-292083
 www.weidmueller.com

Accessories

Accessories



Accessories

FrontCom® Vario integrates multiple functions in only one single frame. The system is easy to install and you can select from a wide range of data, signal and power modules. In addition to being extremely compact, FrontCom® Vario offers a number of unique product features that will make your project planning and work activities secure, fast and future-proof. Furthermore, the FrontCom® Vario system has an attractive housing design that, by the way, offers highest impact-resistance and fully meets the requirements of IP 65 protection class.

General ordering data

Type	IE-FC-PWPC	Version	
Order No.	1450820000	FrontCom, Touch-safe protection	
GTIN (EAN)	4050118255584		
Qty.	1 pc(s).		

**Industrial Ethernet
IE-FC-SFP-KNOB**

Weidmüller Interface GmbH & Co. KG
 Klingenbergstraße 26
 D-32758 Detmold
 Germany
 Fon: +49 5231 14-0
 Fax: +49 5231 14-292083
 www.weidmueller.com

Accessories

Blank



ESG is the tried-and-tested marker in MultiCard format for use on many well-known electrical devices. The result is high-quality device marking with a high-contrast appearance.

Various types are available for devices from the following manufacturers:

- Siemens
- Télémecanique
- ABB
- Beckhoff
- Lumberg
- Tags for all-purpose usage; self-adhesive or clip-on tags, depending on the type

Advantages at a glance:

- Tags for universal usage, self-adhesive or clip-on tags, depending on type
- For aligned equipment, e.g. circuit breakers, we supply ESG markers for clipping onto tag rails
- Individual laser-quality printing according to specifications

For custom printing: Please send us a file of our labeling software M-Print PRO or M-Print PRO Online (without installation) for your labeling specifications.

Please note that these markers are not intended for printing with the SpeedMarking laser.

General ordering data

Type	ESG 7/20 SIRIUS MC NE WS	Version
Order No.	1736181044	ESG, Device markers x 20 mm, PA 66, Colour: white, pluggable
GTIN (EAN)	4008190985950	
Qty.	200 pc(s).	

**Industrial Ethernet
IE-FC-SFP-KNOB**

Weidmüller Interface GmbH & Co. KG
 Klingenbergstraße 26
 D-32758 Detmold
 Germany
 Fon: +49 5231 14-0
 Fax: +49 5231 14-292083
 www.weidmueller.com

Accessories

Crosshead screwdriver Pozidriv

Crosshead screwdriver, Pozidriv, SDK PZ DIN 5262, ISO 8764/2-PZ, output to ISO 8764/1-PZ, ChromTop tip, SoftFinish grip



General ordering data

Type	SDK PZ1	Version
Order No.	9008530000	Screwdriver, Blade width (B): 4.5 mm, Blade length: 80 mm
GTIN (EAN)	4032248056521	
Qty.	1 pc(s).	

Slotted screwdriver

Slotted screwdriver with rounded blade SD DIN 5265, ISO 2380/2, output to DIN 5264, ISO 2380/1. ChromTop tip, SoftFinish grip



General ordering data

Type	SDS 0.4X2.5X75	Version
Order No.	9009030000	Screwdriver, Blade width (B): 2.5 mm, Blade length: 75 mm, Blade thickness (A): 0.4 mm
GTIN (EAN)	4032248266944	
Qty.	1 pc(s).	

**Industrial Ethernet
IE-FC-SFP-KNOB**

Weidmüller Interface GmbH & Co. KG
 Klingenbergstraße 26
 D-32758 Detmold
 Germany
 Fon: +49 5231 14-0
 Fax: +49 5231 14-292083
 www.weidmueller.com

Accessories

Blank, adhesive backing



SM is a MultiCard marker for labelling control and signalling devices. The tags are clipped into the carriers or attached by means of the adhesive film already fitted to them. Customised tags can be created with the PrintJet PRO, MCP Plus plotter, MCP Basic or MC-Mobilo marking systems.

- Users can quickly produce tags to suit their needs
- No need to stock expensive standard tags
- Highly resistant printing quality when using the PrintJet as a substitute for engraving
- For extreme demands, we recommend the ETO SM protective film
- Holders can be used for the 22-mm-diameter push-buttons from Siemens, ABB, Moeller and Télémécanique

For custom printing: Please send us a file of our labeling software M-Print PRO or M-Print PRO Online (without installation) for your labeling specifications.

General ordering data

Type	SM 27/18 K MC NE GR	Version
Order No.	1073340000	SwitchMark, Device markers, 18 x 27 mm, grey
GTIN (EAN)	4032248831425	
Qty.	80 pc(s).	
Type	SM 27/18 K MC NE SI	Version
Order No.	1713760000	SwitchMark, Device markers, 18 x 27 mm, silver
GTIN (EAN)	4008190331177	
Qty.	80 pc(s).	
Type	SM 27/18 K MC NE WS	Version
Order No.	1707270000	SwitchMark, Device markers, 18 x 27 mm, white
GTIN (EAN)	4008190925116	
Qty.	80 pc(s).	

**Industrial Ethernet
IE-FC-SP-PWB/2ST**

Weidmüller Interface GmbH & Co. KG
 Klingenbergstraße 26
 D-32758 Detmold
 Germany
 Fon: +49 5231 14-0
 Fax: +49 5231 14-292083
 www.weidmueller.com



FrontCom® Vario integrates multiple functions in only one single frame. The system is easy to install and you can select from a wide range of data, signal and power modules. In addition to being extremely compact, FrontCom® Vario offers a number of unique product features that will make your project planning and work activities secure, fast and future-proof. Furthermore, the FrontCom® Vario system has an attractive housing design that, by the way, offers highest impact-resistance and fully meets the requirements of IP 65 protection class.

General ordering data

Type	IE-FC-SP-PWB/2ST
Order No.	1450550000
Version	FrontCom, Insert plate, shielded, 1x Power, 2x Data
GTIN (EAN)	4050118255256
Qty.	1 pc(s).

Data sheet

Industrial Ethernet IE-FC-SP-PWB/2ST

Weidmüller Interface GmbH & Co. KG
 Klingenbergstraße 26
 D-32758 Detmold
 Germany
 Fon: +49 5231 14-0
 Fax: +49 5231 14-292083
 www.weidmueller.com

Technical data

Dimensions and weights

Length	90.5 mm	Length (inches)	3.563 inch
Width	51.5 mm	Width (inches)	2.028 inch
Height	23 mm	Height (inches)	0.906 inch
Net weight	19 g		

Temperatures

Operating temperature, max.	70 °C	Operating temperature, min.	-40 °C
Operating temperature	-40 °C...70 °C		

Environmental Product Compliance

REACH SVHC	Potassium perfluorobutane sulfonate 29420-49-3
------------	--

General data

Material	Polycarbonate PC	Product type	Insert plate, shielded
----------	------------------	--------------	------------------------

General standards

Certificate No. (GERMLLOYD)	13866-15	Certificate No. (cURus)	E223801
-----------------------------	----------	-------------------------	---------

Classifications

ETIM 6.0	EC000456	ETIM 7.0	EC000456
eClass 9.0	27-18-28-06	eClass 9.1	27-18-92-90
eClass 10.0	27-18-28-06	UNSPSC	31-16-23-03

Approvals

Approvals



ROHS	Conform
------	---------

Downloads

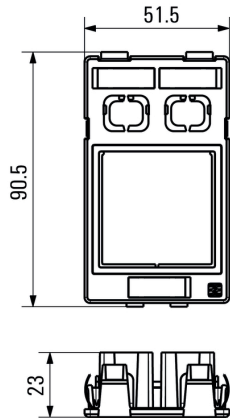
Approval/Certificate/Document of Conformity	GL_FrontCom
Brochure/Catalogue	CAT 9 IETH 18/19 EN FL FIELDWIRING EN PI PROFINET CABLING EN
Engineering Data	EPLAN, WSCAD, Zuken E3.S
Engineering Data	STEP
User Documentation	MAN IE GUIDE DE MAN IE GUIDE EN Designation key / Type key

**Industrial Ethernet
IE-FC-SP-PWB/2ST**

Weidmüller Interface GmbH & Co. KG
Klingenbergstraße 26
D-32758 Detmold
Germany
Fon: +49 5231 14-0
Fax: +49 5231 14-292083
www.weidmueller.com

Drawings

Dimensioned drawing



Industrial Ethernet IE-FC-SP-PWB/2ST

Weidmüller Interface GmbH & Co. KG
 Klingenbergstraße 26
 D-32758 Detmold
 Germany
 Fon: +49 5231 14-0
 Fax: +49 5231 14-292083
 www.weidmueller.com

Accessories

Accessories



Accessories

FrontCom® Vario integrates multiple functions in only one single frame. The system is easy to install and you can select from a wide range of data, signal and power modules. In addition to being extremely compact, FrontCom® Vario offers a number of unique product features that will make your project planning and work activities secure, fast and future-proof. Furthermore, the FrontCom® Vario system has an attractive housing design that, by the way, offers highest impact-resistance and fully meets the requirements of IP 65 protection class.

General ordering data

Type	IE-FC-PWPC	Version
Order No.	1450820000	FrontCom, Touch-safe protection
GTIN (EAN)	4050118255584	
Qty.	1 pc(s).	

USB



FrontCom® Vario integrates multiple functions in only one single frame. The system is easy to install and you can select from a wide range of data, signal and power modules. In addition to being extremely compact, FrontCom® Vario offers a number of unique product features that will make your project planning and work activities secure, fast and future-proof. Furthermore, the FrontCom® Vario system has an attractive housing design that, by the way, offers highest impact-resistance and fully meets the requirements of IP 65 protection class.

General ordering data

Type	IE-BI-USB-3.0-A	Version
Order No.	1487920000	USB insert, Flange insert, type A
GTIN (EAN)	4050118298208	
Qty.	10 pc(s).	
Type	IE-BI-USB-AB	Version
Order No.	1131380000	USB insert, Flange insert, type AB
GTIN (EAN)	4032248911844	
Qty.	10 pc(s).	
Type	IE-BI-USB-A	Version
Order No.	1019570000	USB insert, Flange insert, type A
GTIN (EAN)	4032248731602	
Qty.	10 pc(s).	

**Industrial Ethernet
IE-FC-SP-PWB/2ST**

Weidmüller Interface GmbH & Co. KG
 Klingenbergstraße 26
 D-32758 Detmold
 Germany
 Fon: +49 5231 14-0
 Fax: +49 5231 14-292083
 www.weidmueller.com

Accessories

Blank



ESG is the tried-and-tested marker in MultiCard format for use on many well-known electrical devices. The result is high-quality device marking with a high-contrast appearance.

Various types are available for devices from the following manufacturers:

- Siemens
- Télémecanique
- ABB
- Beckhoff
- Lumberg
- Tags for all-purpose usage; self-adhesive or clip-on tags, depending on the type

Advantages at a glance:

- Tags for universal usage, self-adhesive or clip-on tags, depending on type
- For aligned equipment, e.g. circuit breakers, we supply ESG markers for clipping onto tag rails
- Individual laser-quality printing according to specifications

For custom printing: Please send us a file of our labeling software M-Print PRO or M-Print PRO Online (without installation) for your labeling specifications.

Please note that these markers are not intended for printing with the SpeedMarking laser.

General ordering data

Type	ESG 7/20 SIRIUS MC NE WS	Version
Order No.	1736181044	ESG, Device markers x 20 mm, PA 66, Colour: white, pluggable
GTIN (EAN)	4008190985950	
Qty.	200 pc(s).	

**Industrial Ethernet
IE-FC-SP-PWB/2ST**

Weidmüller Interface GmbH & Co. KG
 Klingenbergstraße 26
 D-32758 Detmold
 Germany
 Fon: +49 5231 14-0
 Fax: +49 5231 14-292083
 www.weidmueller.com

Accessories
RJ45


FrontCom® Vario integrates multiple functions in only one single frame. The system is easy to install and you can select from a wide range of data, signal and power modules. In addition to being extremely compact, FrontCom® Vario offers a number of unique product features that will make your project planning and work activities secure, fast and future-proof. Furthermore, the FrontCom® Vario system has an attractive housing design that, by the way, offers highest impact-resistance and fully meets the requirements of IP 65 protection class.

General ordering data

Type	IE-BI-RJ45-FJ-B	Version
Order No.	1963840000	RJ45 insert socket, Connector for base, TIA-568B
GTIN (EAN)	4032248651894	
Qty.	10 pc(s).	
Type	IE-BI-RJ45-FJ-P	Version
Order No.	1963830000	RJ45 insert socket, Connector for base, PROFINET
GTIN (EAN)	4032248646159	
Qty.	10 pc(s).	
Type	IE-BI-RJ45-FJ-A	Version
Order No.	1962850000	RJ45 insert socket, Connector for base, TIA-568A
GTIN (EAN)	4032248645053	
Qty.	10 pc(s).	
Type	IE-BI-RJ45-C	Version
Order No.	1962840000	RJ45 insert socket, Bulkhead inserts coupler
GTIN (EAN)	4032248645046	
Qty.	1 pc(s).	

Power sockets

Power - sockets

FrontCom® Vario integrates multiple functions in only one single frame. The system is easy to install and you can select from a wide range of data, signal and power modules. In addition to being extremely compact, FrontCom® Vario offers a number of unique product features that will make your project planning and work activities secure, fast and future-proof. Furthermore, the FrontCom® Vario system has an attractive housing design that, by the way, offers highest impact-resistance and fully meets the requirements of IP 65 protection class.

General ordering data

Type	IE-FCI-PWB-CN	Version
Order No.	1450790000	FrontCom, Insert Power large, Type I, Socket connector, CN
GTIN (EAN)	4050118255386	
Qty.	1 pc(s).	

Industrial Ethernet IE-FC-SP-PWB/2ST

Weidmüller Interface GmbH & Co. KG
 Klingenbergstraße 26
 D-32758 Detmold
 Germany
 Fon: +49 5231 14-0
 Fax: +49 5231 14-292083
 www.weidmueller.com

Accessories

Type	IE-FCI-PWS-EU	Version
Order No.	1450740000	FrontCom, Insert Power small, Socket connector, EU
GTIN (EAN)	4050118255379	
Qty.	1 pc(s).	
Type	IE-FCI-PWB-AU	Version
Order No.	1450830000	FrontCom, Insert Power large, Type I, Socket connector, AU, 15 A
GTIN (EAN)	4050118255591	
Qty.	1 pc(s).	
Type	IE-FCI-PWB-AU-10A	Version
Order No.	1546590000	FrontCom, Insert Power large, Type I, Socket connector, AU, 10 A
GTIN (EAN)	4050118351842	
Qty.	10 pc(s).	
Type	IE-FCI-PWB-CH	Version
Order No.	1450780000	FrontCom, Insert Power large, Type J, Socket connector, CH
GTIN (EAN)	4050118255553	
Qty.	1 pc(s).	
Type	IE-FCI-PWB-FR	Version
Order No.	1450750000	FrontCom, Insert Power large, Type E, Socket connector, FR
GTIN (EAN)	4050118255706	
Qty.	1 pc(s).	
Type	IE-FCI-PWB-DE-OR	Version
Order No.	1554000000	FrontCom, Insert Power large, Type F, Socket connector, DE, orange
GTIN (EAN)	4050118360806	
Qty.	1 pc(s).	
Type	IE-FCI-PWB-MC	Version
Order No.	1529570000	FrontCom, Insert Power large, Socket connector, Multi-contact, EU,
GTIN (EAN)	4050118334517	US, CN, GB, IND
Qty.	1 pc(s).	
Type	IE-FCI-PWB-DE	Version
Order No.	1450730000	FrontCom, Insert Power large, Type F, Socket connector, DE
GTIN (EAN)	4050118255546	
Qty.	1 pc(s).	
Type	IE-FCI-PWB-GB	Version
Order No.	1450770000	FrontCom, Insert Power large, Type G, Socket connector, GB
GTIN (EAN)	4050118255577	
Qty.	1 pc(s).	

**Industrial Ethernet
IE-FC-SP-PWB/2ST**

Weidmüller Interface GmbH & Co. KG
 Klingenbergstraße 26
 D-32758 Detmold
 Germany
 Fon: +49 5231 14-0
 Fax: +49 5231 14-292083
 www.weidmueller.com

Accessories

RCBO



RCBO

FrontCom® Vario integrates multiple functions in only one single frame. The system is easy to install and you can select from a wide range of data, signal and power modules. In addition to being extremely compact, FrontCom® Vario offers a number of unique product features that will make your project planning and work activities secure, fast and future-proof. Furthermore, the FrontCom® Vario system has an attractive housing design that, by the way, offers highest impact-resistance and fully meets the requirements of IP 65 protection class.

General ordering data

Type	IE-FCI-PWB-RCBO	Version	
Order No.	1534250000	FrontCom, Insert Power large, RCBO	
GTIN (EAN)	4050118337938		
Qty.	1 pc(s).		

Slotted screwdriver

Slotted screwdriver with rounded blade SD DIN 5265, ISO 2380/2, output to DIN 5264, ISO 2380/1. ChromTop tip, SoftFinish grip



General ordering data

Type	SDS 0.4X2.5X75	Version	
Order No.	9009030000	Screwdriver, Blade width (B): 2.5 mm, Blade length: 75 mm, Blade	
GTIN (EAN)	4032248266944	thickness (A): 0.4 mm	
Qty.	1 pc(s).		

**Industrial Ethernet
IE-FCI-PWB-DE**

Weidmüller Interface GmbH & Co. KG
Klingenbergstraße 26
D-32758 Detmold
Germany
Fon: +49 5231 14-0
Fax: +49 5231 14-292083
www.weidmueller.com



FrontCom® Vario integrates multiple functions in only one single frame. The system is easy to install and you can select from a wide range of data, signal and power modules. In addition to being extremely compact, FrontCom® Vario offers a number of unique product features that will make your project planning and work activities secure, fast and future-proof. Furthermore, the FrontCom® Vario system has an attractive housing design that, by the way, offers highest impact-resistance and fully meets the requirements of IP 65 protection class.

General ordering data

Type	IE-FCI-PWB-DE
Order No.	1450730000
Version	FrontCom, Insert Power large, Type F, Socket connector, DE
GTIN (EAN)	4050118255546
Qty.	1 pc(s).

Creation date May 4, 2020 1:38:05 AM CEST

**Industrial Ethernet
IE-FCI-PWB-DE**

Weidmüller Interface GmbH & Co. KG
Klingenbergstraße 26
D-32758 Detmold
Germany
Fon: +49 5231 14-0
Fax: +49 5231 14-292083
www.weidmueller.com

Technical data

Dimensions and weights

Weight	37 g	Net weight	34.172 g
--------	------	------------	----------

Temperatures

Operating temperature, max.	50 °C	Operating temperature, min.	-5 °C
Storage temperature, max.	70 °C	Storage temperature, min.	-10 °C
Operating temperature	-5 °C...50 °C	Storage temperature	-10 °C...70 °C

General data

Connector face	Type F	Insert type	Insert Power large
Protection degree	IP20		

Clampable conductors

Conductor connection cross-section, extremely flexible with wire end ferrule	1.5 ... 1.5 mm ²	Conductor connection cross-section, extremely flexible without wire end ferrule	1.5 ... 2.5 mm ²
Conductor connection cross-section, flexible with wire end ferrule	1.5 ... 1.5 mm ²	Conductor connection cross-section, flexible without wire end ferrule	1.5 ... 2.5 mm ²
Conductor connection cross-section, rigid	1.5 ... 2.5 mm ²	Stripping length	10 mm
Type of connection	PUSH IN		

Technical data

Housing main material	Polycarbonate PC	Rated current	16 A
Rated voltage (AC)	250 V		

General standards

Certificate No. (GERMLLOYD)	13866-15
-----------------------------	----------

Classifications

ETIM 6.0	EC001121	ETIM 7.0	EC001121
eClass 9.0	27-44-03-90	eClass 9.1	27-18-90-90
eClass 10.0	27-44-03-90	UNSPSC	31-16-23-03

Approvals

Approvals



ROHS	Conform
------	---------

**Industrial Ethernet
IE-FCI-PWB-DE**

Weidmüller Interface GmbH & Co. KG
Klingenbergstraße 26
D-32758 Detmold
Germany
Fon: +49 5231 14-0
Fax: +49 5231 14-292083
www.weidmueller.com

Technical data**Downloads**

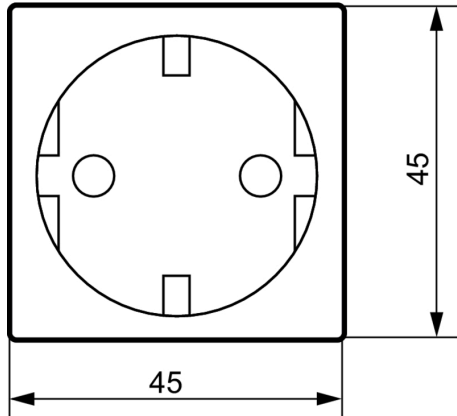
Approval/Certificate/Document of Conformity	GL_FrontCom
Brochure/Catalogue	CAT 9 IETH 18/19 EN MB FREECONCONTACT EN FL FIELDWIRING EN PI PROFINET CABLING EN
Engineering Data	STEP
User Documentation	MAN IE GUIDE DE MAN IE GUIDE EN Socket Insert Overview EN Socket Insert Overview DE Designation key / Type key

**Industrial Ethernet
IE-FCI-PWB-DE**

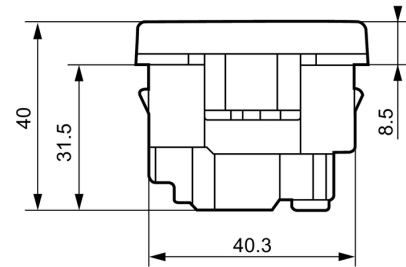
Weidmüller Interface GmbH & Co. KG
Klingenbergstraße 26
D-32758 Detmold
Germany
Fon: +49 5231 14-0
Fax: +49 5231 14-292083
www.weidmueller.com

Drawings

Dimensioned drawing



Dimensioned drawing



**Industrial Ethernet
IE-FCI-PWB-DE**

Weidmüller Interface GmbH & Co. KG
Klingenbergstraße 26
D-32758 Detmold
Germany
Fon: +49 5231 14-0
Fax: +49 5231 14-292083
www.weidmueller.com

Accessories**Rail adaptor for socket inserts****Socket adaptor**

At Weidmüller you can get everything you need from one source - including accessories for Industrial Ethernet. The benefits for you:

- tools
- testing instruments
- cable bushings
- cabinet connections
- markers
- dust protection
- power packs
- overvoltage protection

General ordering data

Type	IE-DINRAIL-AD-PWB
Order No.	2534680000
GTIN (EAN)	4050118546354
Qty.	1 pc(s).

**Industrial Ethernet
IE-BI-USB-A**

Weidmüller Interface GmbH & Co. KG
Klingenbergstraße 26
D-32758 Detmold
Germany
Fon: +49 5231 14-0
Fax: +49 5231 14-292083
www.weidmueller.com



FrontCom® Vario integrates multiple functions in only one single frame. The system is easy to install and you can select from a wide range of data, signal and power modules. In addition to being extremely compact, FrontCom® Vario offers a number of unique product features that will make your project planning and work activities secure, fast and future-proof. Furthermore, the FrontCom® Vario system has an attractive housing design that, by the way, offers highest impact-resistance and fully meets the requirements of IP 65 protection class.

General ordering data

Type	IE-BI-USB-A
Order No.	1019570000
Version	USB insert, Flange insert, type A
GTIN (EAN)	4032248731602
Qty.	10 pc(s).

Data sheet

Industrial Ethernet IE-BI-USB-A

Weidmüller Interface GmbH & Co. KG
 Klingenbergstraße 26
 D-32758 Detmold
 Germany
 Fon: +49 5231 14-0
 Fax: +49 5231 14-292083
 www.weidmueller.com

Technical data

Dimensions and weights

Net weight	15.1 g
------------	--------

Temperatures

Humidity	0...93 % rel. humidity	Operating temperature, max.	70 °C
Operating temperature, min.	-40 °C	Operating temperature	-40 °C...70 °C

Environmental Product Compliance

REACH SVHC	Lead 7439-92-1
------------	----------------

General data

Insert type	Insert data SteadyTec	Product type	USB insert
Protection degree	IP67 with housing		

General Info

Connection 1	USB A	Connection 2	USB A
Description of article	Flange insert, type A	Wiring	Type A
Colour	black	Humidity	0...93 % rel. humidity
Housing main material	PC UL 94 V0	Shielding	360° all-round enclosure
Protection degree	IP67 with housing	Plugging cycles	≥ 1500

Electrical properties

Contact resistance	≤ 30 mΩ	Current-carrying capacity up to 90 °C	3 A
Dielectric strength, contact / shield	≥ 500 V DC	Insulation strength	≥ 1000 MΩ

General standards

Certificate No. (GERMLLOYD)	13866-15	Certificate no. (cULus)	E471884
Connector standard	IEC 61076-3-107		

Classifications

ETIM 6.0	EC001121	ETIM 7.0	EC001121
eClass 9.0	27-44-03-90	eClass 9.1	27-44-09-90
eClass 10.0	27-44-03-90		

Approvals

Approvals



ROHS	Conform
------	---------

**Industrial Ethernet
IE-BI-USB-A**

Weidmüller Interface GmbH & Co. KG
Klingenbergstraße 26
D-32758 Detmold
Germany
Fon: +49 5231 14-0
Fax: +49 5231 14-292083
www.weidmueller.com

Technical data**Downloads**

Approval/Certificate/Document of Conformity	GL FrontCom
Brochure/Catalogue	CAT 9 IETH 18/19 EN MB FREECONCONTACT EN FL FIELDWIRING EN PI PROFINET CABLING EN
Engineering Data	WSCAD
Engineering Data	STEP
User Documentation	MAN IE GUIDE DE MAN IE GUIDE EN Designation key / Type key

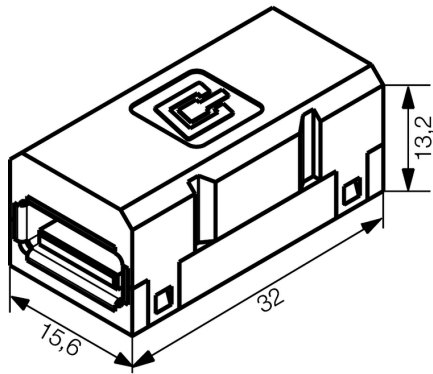
Data sheet

**Industrial Ethernet
IE-BI-USB-A**

Weidmüller Interface GmbH & Co. KG
Klingenbergstraße 26
D-32758 Detmold
Germany
Fon: +49 5231 14-0
Fax: +49 5231 14-292083
www.weidmueller.com

Drawings

Dimensioned drawing



**Industrial Ethernet
IE-BI-RJ45-C****Weidmüller Interface GmbH & Co. KG**

Klingenbergstraße 26

D-32758 Detmold

Germany

Fon: +49 5231 14-0

Fax: +49 5231 14-292083

www.weidmueller.com



FrontCom® Vario integrates multiple functions in only one single frame. The system is easy to install and you can select from a wide range of data, signal and power modules. In addition to being extremely compact, FrontCom® Vario offers a number of unique product features that will make your project planning and work activities secure, fast and future-proof. Furthermore, the FrontCom® Vario system has an attractive housing design that, by the way, offers highest impact-resistance and fully meets the requirements of IP 65 protection class.

General ordering data

Type	IE-BI-RJ45-C
Order No.	1962840000
Version	RJ45 insert socket, Bulkhead inserts coupler
GTIN (EAN)	4032248645046
Qty.	1 pc(s).

**Industrial Ethernet
IE-BI-RJ45-C**

Weidmüller Interface GmbH & Co. KG
 Klingenbergstraße 26
 D-32758 Detmold
 Germany
 Fon: +49 5231 14-0
 Fax: +49 5231 14-292083
 www.weidmueller.com

Technical data
Dimensions and weights

Net weight	4.47 g
------------	--------

Temperatures

Operating temperature, max.	70 °C	Operating temperature, min.	-40 °C
Operating temperature	-40 °C...70 °C		

Environmental Product Compliance

REACH SVHC	Lead 7439-92-1
------------	----------------

General data

Insert type	Insert data SteadyTec	Product type	RJ45 insert socket
Protection degree	IP67 with housing		

General data

Fire load	33 kJ	Connection 1	RJ45
Connection 2	RJ45	Description of article	Bulkhead inserts coupler
Colour	Miscellaneous	Housing main material	Zinc diecast
Speed	10 GBit/s	Category	Cat.6 _A / Class E _A (ISO/IEC 11801 2010)
Contact surface	Gold over nickel, Au ≥ 0.8 µm	Shielding	360° all-round enclosure
Protection degree	IP67 with housing	Plugging cycles	750

Electrical properties

PoE / PoE+	conforming to IEEE 802.3af
------------	----------------------------

General standards

Certificate No. (GERMLLOYD)	13866-15	Certificate no. (cULus)	E316369
Connector standard	IEC 60603-7-51	IP protection classes	IEC 60529
UL standard for communication accessories	UL 1863		

Classifications

ETIM 6.0	EC001121	ETIM 7.0	EC001121
eClass 9.0	27-44-03-90	eClass 9.1	27-44-03-90
eClass 10.0	27-44-03-90	UNSPSC	30-21-18-01

Approvals

Approvals



ROHS	Conform
------	---------

Data sheet

**Industrial Ethernet
IE-BI-RJ45-C**

Weidmüller Interface GmbH & Co. KG
 Klingenbergstraße 26
 D-32758 Detmold
 Germany
 Fon: +49 5231 14-0
 Fax: +49 5231 14-292083
 www.weidmueller.com

Technical data

Downloads

Approval/Certificate/Document of Conformity	GOST Approval GL_FrontCom DUXR.E316369 CC-Link IE-BI-RJ45-C PROFINET Manufacturer's Declaration
Brochure/Catalogue	CAT 9 IETH 18/19 EN CAT 3 HDC 17/18 EN MB FREECONCONTACT EN FL FIELDWIRING EN PI PROFINET CABLING EN
Engineering Data	EPLAN, WSCAD, Zuken E3.S
Engineering Data	STEP
User Documentation	MAN IE GUIDE DE MAN IE GUIDE EN Designation key / Type key

**Industrial Ethernet
IE-BI-RJ45-C**

Weidmüller Interface GmbH & Co. KG
Klingenbergstraße 26
D-32758 Detmold
Germany
Fon: +49 5231 14-0
Fax: +49 5231 14-292083
www.weidmueller.com

Drawings

Dimensioned drawing

