

**Industrial Ethernet
IE-AD-M12DRJ45-MF-90**

Weidmüller Interface GmbH & Co. KG
Klingenbergstraße 26
D-32758 Detmold
Germany
Fon: +49 5231 14-0
Fax: +49 5231 14-292083
www.weidmueller.com



M12 panel feed-through, IP67

General ordering data

Type	IE-AD-M12DRJ45-MF-90
Order No.	1514940000
Version	Adapter, angled, RJ45 90°, M12, Cat.5 (ISO/IEC 11801), IP67
GTIN (EAN)	4050118322309
Qty.	1 pc(s).

Creation date May 4, 2020 2:07:56 AM CEST

Catalogue status 17.04.2020 / We reserve the right to make technical changes.

Industrial Ethernet
IE-AD-M12DRJ45-MF-90

Weidmüller Interface GmbH & Co. KG
 Klingenbergstraße 26
 D-32758 Detmold
 Germany
 Fon: +49 5231 14-0
 Fax: +49 5231 14-292083
 www.weidmueller.com

Technical data
Dimensions and weights

Net weight 35 g

Temperatures

Operating temperature, max.	80 °C	Operating temperature, min.	-25 °C
Storage temperature, max.	80 °C	Storage temperature, min.	-40 °C
Operating temperature	-25 °C...80 °C	Storage temperature	-40 °C...80 °C

Environmental Product Compliance

REACH SVHC Lead 7439-92-1

General Info

Connection 1	RJ45 90°	Connection 2	M12
Description of article	Adapter, angled	Configuration	M12 pin on RJ45 socket
Housing main material	PA 66	Category	Cat.5 (ISO/IEC 11801)
Connection thread	M12	Contact surface	Gold-plated
Shielding	Yes	Protection degree	IP67

Electrical properties

Contact resistance $\leq 10 \text{ m}\Omega$ Current-carrying capacity at 50 °C 1 A

General standards

Certificate no. (cULus) E471884 Connector standard IEC 60603-7-5, IEC 61076-2-101

Classifications

ETIM 6.0	EC000313	ETIM 7.0	EC000313
eClass 9.0	27-44-03-20	eClass 9.1	19-17-01-25
eClass 10.0	27-44-03-20	UNSPSC	30-21-18-14

Approvals

Approvals



ROHS Conform

Downloads

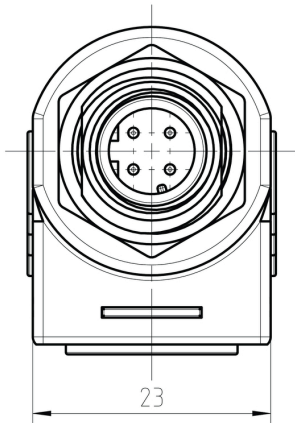
Brochure/Catalogue	CAT 9 IETH 18/19 EN FL FIELDWIRING EN PI PROFINET CABLING EN
User Documentation	MAN IE GUIDE DE MAN IE GUIDE EN

**Industrial Ethernet
IE-AD-M12DRJ45-MF-90**

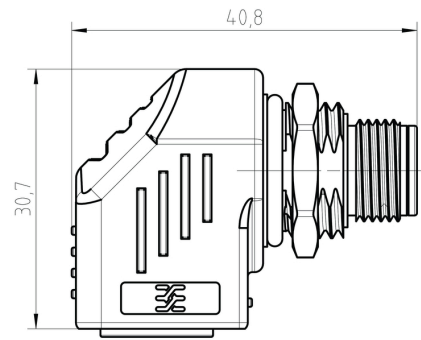
Weidmüller Interface GmbH & Co. KG
Klingenbergstraße 26
D-32758 Detmold
Germany
Fon: +49 5231 14-0
Fax: +49 5231 14-292083
www.weidmueller.com

Drawings

Dimensioned drawing



Dimensioned drawing



Installation cut-out

