

**Industrial Ethernet
IE-FC-SFM-KNOB**

Weidmüller Interface GmbH & Co. KG
 Klingenbergstraße 26
 D-32758 Detmold
 Germany
 Fon: +49 5231 14-0
 Fax: +49 5231 14-292083
 www.weidmueller.com



FrontCom® Vario integrates multiple functions in only one single frame. The system is easy to install and you can select from a wide range of data, signal and power modules. In addition to being extremely compact, FrontCom® Vario offers a number of unique product features that will make your project planning and work activities secure, fast and future-proof. Furthermore, the FrontCom® Vario system has an attractive housing design that, by the way, offers highest impact-resistance and fully meets the requirements of IP 65 protection class.

General ordering data

Type	IE-FC-SFM-KNOB
Order No.	1450530000
Version	FrontCom, Single frame, Metal cover, Control knob locking
GTIN (EAN)	4050118255461
Qty.	1 pc(s).

**Industrial Ethernet
IE-FC-SFM-KNOB**

Weidmüller Interface GmbH & Co. KG
 Klingenbergstraße 26
 D-32758 Detmold
 Germany
 Fon: +49 5231 14-0
 Fax: +49 5231 14-292083
 www.weidmueller.com

Technical data**Dimensions and weights**

Width	67 mm	Width (inches)	2.638 inch
Height	27.5 mm	Height (inches)	1.083 inch
Depth	134 mm	Depth (inches)	5.276 inch
Wall thickness, max.	5 mm	Wall thickness, min.	1 mm
Net weight	491.88 g		

Temperatures

Operating temperature, max.	70 °C	Operating temperature, min.	-40 °C
Operating temperature	-40 °C...70 °C		

General data

Material cover	Zinc diecast, powder-coated	Material frame	Zinc diecast
Product type	Single frame, Metal cover, Control knob locking	Protection class (UL)	Type 12
Protection degree	IP65, in closed state		

General standards

Certificate No. (GERMLLOYD)	13866-15	Certificate No. (cURus)	E223801
-----------------------------	----------	-------------------------	---------

Classifications

ETIM 6.0	EC001031	ETIM 7.0	EC001031
eClass 9.0	27-18-27-02	eClass 9.1	27-18-27-90
eClass 10.0	27-18-27-02	UNSPSC	31-16-23-03

Approvals

Approvals



ROHS Conform

Downloads

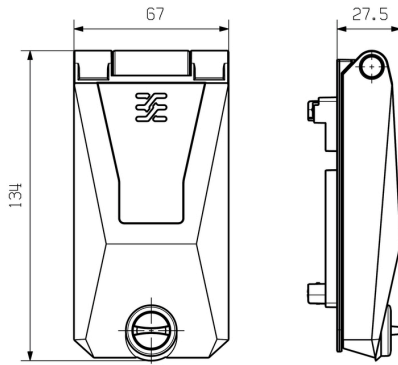
Approval/Certificate/Document of Conformity	GL_FrontCom
Brochure/Catalogue	CAT 9 IETH 18/19 EN FL FIELDWIRING EN PI FRONTCOM EN PI PROFINET CABLING EN
Engineering Data	EPLAN
Engineering Data	STEP
Product Change Notification	FrontCom Vario Single Frame EN FrontCom Vario Single Frame DE
User Documentation	MAN IE GUIDE DE MAN IE GUIDE EN Manual Designation key / Type key

**Industrial Ethernet
IE-FC-SFM-KNOB**

Weidmüller Interface GmbH & Co. KG
 Klingenbergstraße 26
 D-32758 Detmold
 Germany
 Fon: +49 5231 14-0
 Fax: +49 5231 14-292083
 www.weidmueller.com

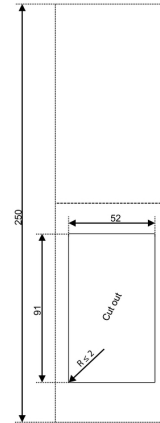
Drawings

Dimensioned drawing



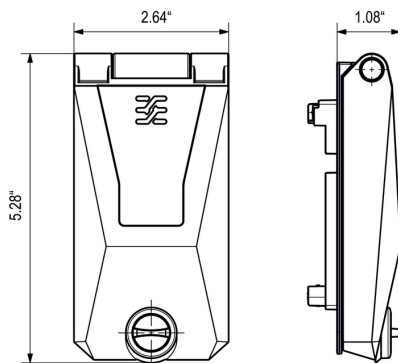
Unit: mm

Installation cut-out



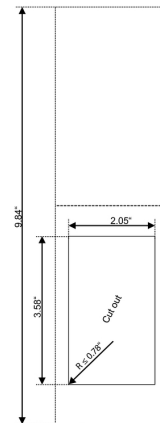
Unit: mm

Dimensioned drawing



Unit: in

Installation cut-out



Unit: in

**Industrial Ethernet
IE-FC-SFM-KNOB**

Weidmüller Interface GmbH & Co. KG
 Klingenbergstraße 26
 D-32758 Detmold
 Germany
 Fon: +49 5231 14-0
 Fax: +49 5231 14-292083
 www.weidmueller.com

Accessories

Accessories



Accessories

FrontCom® Vario integrates multiple functions in only one single frame. The system is easy to install and you can select from a wide range of data, signal and power modules. In addition to being extremely compact, FrontCom® Vario offers a number of unique product features that will make your project planning and work activities secure, fast and future-proof. Furthermore, the FrontCom® Vario system has an attractive housing design that, by the way, offers highest impact-resistance and fully meets the requirements of IP 65 protection class.

General ordering data

Type	IE-FC-PWPC	Version	
Order No.	1450820000	FrontCom, Touch-safe protection	
GTIN (EAN)	4050118255584		
Qty.	1 pc(s).		

**Industrial Ethernet
IE-FC-SFM-KNOB**

Weidmüller Interface GmbH & Co. KG
 Klingenbergstraße 26
 D-32758 Detmold
 Germany
 Fon: +49 5231 14-0
 Fax: +49 5231 14-292083
 www.weidmueller.com

Accessories

Blank



ESG is the tried-and-tested marker in MultiCard format for use on many well-known electrical devices. The result is high-quality device marking with a high-contrast appearance.

Various types are available for devices from the following manufacturers:

- Siemens
- Télémecanique
- ABB
- Beckhoff
- Lumberg
- Tags for all-purpose usage; self-adhesive or clip-on tags, depending on the type

Advantages at a glance:

- Tags for universal usage, self-adhesive or clip-on tags, depending on type
- For aligned equipment, e.g. circuit breakers, we supply ESG markers for clipping onto tag rails
- Individual laser-quality printing according to specifications

For custom printing: Please send us a file of our labeling software M-Print PRO or M-Print PRO Online (without installation) for your labeling specifications.

Please note that these markers are not intended for printing with the SpeedMarking laser.

General ordering data

Type	ESG 7/20 SIRIUS MC NE WS	Version
Order No.	1736181044	ESG, Device markers x 20 mm, PA 66, Colour: white, pluggable
GTIN (EAN)	4008190985950	
Qty.	200 pc(s).	

**Industrial Ethernet
IE-FC-SFM-KNOB**

Weidmüller Interface GmbH & Co. KG
 Klingenbergstraße 26
 D-32758 Detmold
 Germany
 Fon: +49 5231 14-0
 Fax: +49 5231 14-292083
 www.weidmueller.com

Accessories

Crosshead screwdriver Pozidriv

Crosshead screwdriver, Pozidriv, SDK PZ DIN 5262, ISO 8764/2-PZ, output to ISO 8764/1-PZ, ChromTop tip, SoftFinish grip



General ordering data

Type	SDK PZ1	Version
Order No.	9008530000	Screwdriver, Blade width (B): 4.5 mm, Blade length: 80 mm
GTIN (EAN)	4032248056521	
Qty.	1 pc(s).	

Slotted screwdriver

Slotted screwdriver with rounded blade SD DIN 5265, ISO 2380/2, output to DIN 5264, ISO 2380/1. ChromTop tip, SoftFinish grip



General ordering data

Type	SDS 0.4X2.5X75	Version
Order No.	9009030000	Screwdriver, Blade width (B): 2.5 mm, Blade length: 75 mm, Blade thickness (A): 0.4 mm
GTIN (EAN)	4032248266944	
Qty.	1 pc(s).	

Industrial Ethernet IE-FC-SFM-KNOB

Weidmüller Interface GmbH & Co. KG
 Klingenbergstraße 26
 D-32758 Detmold
 Germany
 Fon: +49 5231 14-0
 Fax: +49 5231 14-292083
 www.weidmueller.com

Accessories

Blank, adhesive backing



SM is a MultiCard marker for labelling control and signalling devices. The tags are clipped into the carriers or attached by means of the adhesive film already fitted to them. Customised tags can be created with the PrintJet PRO, MCP Plus plotter, MCP Basic or MC-Mobilo marking systems.

- Users can quickly produce tags to suit their needs
- No need to stock expensive standard tags
- Highly resistant printing quality when using the PrintJet as a substitute for engraving
- For extreme demands, we recommend the ETO SM protective film
- Holders can be used for the 22-mm-diameter push-buttons from Siemens, ABB, Moeller and Télémécanique

For custom printing: Please send us a file of our labeling software M-Print PRO or M-Print PRO Online (without installation) for your labeling specifications.

General ordering data

Type	SM 27/18 K MC NE GR	Version
Order No.	1073340000	SwitchMark, Device markers, 18 x 27 mm, grey
GTIN (EAN)	4032248831425	
Qty.	80 pc(s).	
Type	SM 27/18 K MC NE SI	Version
Order No.	1713760000	SwitchMark, Device markers, 18 x 27 mm, silver
GTIN (EAN)	4008190331177	
Qty.	80 pc(s).	
Type	SM 27/18 K MC NE WS	Version
Order No.	1707270000	SwitchMark, Device markers, 18 x 27 mm, white
GTIN (EAN)	4008190925116	
Qty.	80 pc(s).	