

**TERMSERIES
ZQV 1.5N/R6.4/2 SW**

Weidmüller Interface GmbH & Co. KG
Klingenbergstraße 26
D-32758 Detmold
Germany
Fon: +49 5231 14-0
Fax: +49 5231 14-292083
www.weidmueller.com

Product image

TERMSERIES accessories include:

- Spare relay
- Base
- Partition plates
- Cross-connections
- Power-feed modules

General ordering data

Type	ZQV 1.5N/R6.4/2 SW
Order No.	1446040000
Version	TERMSERIES, Cross-connector
GTIN (EAN)	4050118251067
Qty.	10 pc(s).

Creation date May 4, 2020 7:10:17 AM CEST

Catalogue status 17.04.2020 / We reserve the right to make technical changes.

Data sheet

**TERMSERIES
ZQV 1.5N/R6.4/2 SW**

Weidmüller Interface GmbH & Co. KG
 Klingenbergstraße 26
 D-32758 Detmold
 Germany
 Fon: +49 5231 14-0
 Fax: +49 5231 14-292083
 www.weidmueller.com

Technical data

Dimensions and weights

Width	10 mm	Width (inches)	0.394 inch
Height	13.1 mm	Height (inches)	0.516 inch
Depth	4.9 mm	Depth (inches)	0.193 inch
Net weight	1.9 g		

Temperatures

Operating temperature, max.	60 °C	Operating temperature, min.	-40 °C
Storage temperature, max.	85 °C	Storage temperature, min.	-40 °C
Operating temperature	-40 °C...60 °C	Storage temperature	-40 °C...85 °C

Cross-connection data

Rated voltage	250 V	Rated current	17.5 A
Insulation	Yes	Touch-safe protection	Yes
Colour	black	Number of cross-connected terminals	2
Number of poles	2	Pitch in mm (P)	6.4 mm
Type of mounting	Plugged	Version	cannot be cut to length

Rated data UL

Rated current (UL)	10 A
--------------------	------

General data

Version	cannot be cut to length	Colour	black
UL 94 flammability rating	V-0		

Insulation coordination

Rated voltage	250 V
---------------	-------

Connection data

Pitch in mm (P)	6.4 mm
-----------------	--------

Classifications

ETIM 6.0	EC002586	ETIM 7.0	EC002586
eClass 9.1	27-37-16-92	eClass 10.0	27-37-16-92

Approvals

Approvals



ROHS Conform

Downloads

Engineering Data	EPLAN, WSCAD
Engineering Data	STEP
User Documentation	Beipackzettel / Package Insert - multilingual

Creation date May 4, 2020 7:10:17 AM CEST

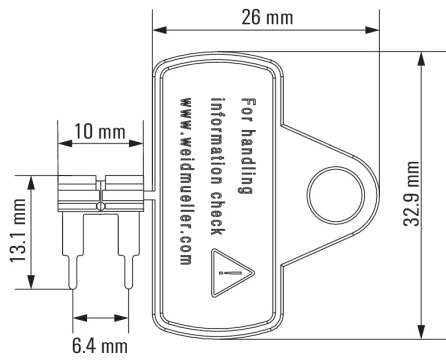
Data sheet

TERMSERIES
ZQV 1.5N/R6.4/2 SW

Weidmüller Interface GmbH & Co. KG
Klingenbergstraße 26
D-32758 Detmold
Germany
Fon: +49 5231 14-0
Fax: +49 5231 14-292083
www.weidmueller.com

Drawings

Dimensional drawing



Data sheet**TERMSERIES
ZQV 1.5N/R6.4/2 SW**

Weidmüller Interface GmbH & Co. KG
Klingenbergstraße 26
D-32758 Detmold
Germany
Fon: +49 5231 14-0
Fax: +49 5231 14-292083
www.weidmueller.com

Accessories**Cutting and notching tools for cross-connections**

- for Weidmüller Z-Series cross-connections
- for cross-connections from WQV 2.5 to WQV 35
- for cross-connection window of the terminal WSI 6

General ordering data

Type	WAW 1 NEUTRAL	Version
Order No.	900450000	Miscellaneous tools
GTIN (EAN)	4008190053925	
Qty.	1 pc(s).	
Type	KT ZQV	Version
Order No.	900217000	Cutting tool for one-hand operation
GTIN (EAN)	4032248291670	
Qty.	1 pc(s).	