

**Industrial Ethernet
IE-TO-USB-AB**

Weidmüller Interface GmbH & Co. KG
Klingenbergstraße 26
D-32758 Detmold
Germany
Fon: +49 5231 14-0
Fax: +49 5231 14-292083
www.weidmueller.com



Mounting rail outlet, USB coupling (A-A) design according to IEC 61076-3-107

General ordering data

Type	IE-TO-USB-AB
Order No.	1438 180000
Version	Terminal rail outlet, USB, IP20
GTIN (EAN)	4050 118244380
Qty.	1 pc(s).

Creation date May 4, 2020 7:26:23 AM CEST

Catalogue status 17.04.2020 / We reserve the right to make technical changes.

Industrial Ethernet IE-TO-USB-AB

Weidmüller Interface GmbH & Co. KG
 Klingenbergstraße 26
 D-32758 Detmold
 Germany
 Fon: +49 5231 14-0
 Fax: +49 5231 14-292083
 www.weidmueller.com

Technical data

Dimensions and weights

Net weight 36 g

Temperatures

Operating temperature, max.	70 °C	Operating temperature, min.	-40 °C
Operating temperature	-40 °C...70 °C	Temperature range, installation, min.	-25 °C
Temperature range, installation, max.	70 °C		

Environmental Product Compliance

REACH SVHC Lead 7439-92-1

General Info

Connection 1	USB A	Connection 2	USB B
Wiring	USB	Colour	Light Grey
Housing main material	PA UL 94 V0	Type of mounting	TS 35
Protection degree	IP20		

General standards

Connector standard IEC 61076-3-107

Classifications

ETIM 6.0	EC000313	ETIM 7.0	EC000313
eClass 9.0	27-44-03-20	eClass 9.1	19-17-01-25
eClass 10.0	27-44-03-20		

Approvals

Approvals



ROHS Conform

Downloads

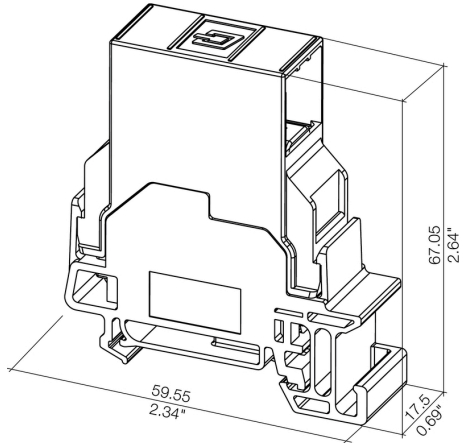
Brochure/Catalogue	CAT 9 IETH 18/19 EN MB FREECONTACT EN FL FIELDWIRING EN PI PROFINET CABLING EN
Engineering Data	STEP
User Documentation	MAN IE GUIDE DE MAN IE GUIDE EN Manual

**Industrial Ethernet
IE-TO-USB-AB**

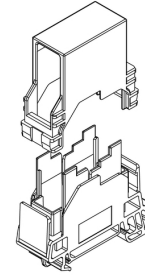
Weidmüller Interface GmbH & Co. KG
Klingenbergstraße 26
D-32758 Detmold
Germany
Fon: +49 5231 14-0
Fax: +49 5231 14-292083
www.weidmueller.com

Drawings

Dimensioned drawing



Drawing



**Industrial Ethernet
IE-TO-USB-AB**

Weidmüller Interface GmbH & Co. KG
 Klingenbergstraße 26
 D-32758 Detmold
 Germany
 Fon: +49 5231 14-0
 Fax: +49 5231 14-292083
 www.weidmueller.com

Accessories

Blank



ESG is the tried-and-tested marker in MultiCard format for use on many well-known electrical devices. The result is high-quality device marking with a high-contrast appearance.

Various types are available for devices from the following manufacturers:

- Siemens
- Télémecanique
- ABB
- Beckhoff
- Lumberg
- Tags for all-purpose usage; self-adhesive or clip-on tags, depending on the type

Advantages at a glance:

- Tags for universal usage, self-adhesive or clip-on tags, depending on type
- For aligned equipment, e.g. circuit breakers, we supply ESG markers for clipping onto tag rails
- Individual laser-quality printing according to specifications

For custom printing: Please send us a file of our labeling software M-Print PRO or M-Print PRO Online (without installation) for your labeling specifications.

Please note that these markers are not intended for printing with the SpeedMarking laser.

General ordering data

Type	ESG 9/11 K MC NE WS	Version
Order No.	1857440000	ESG, Device markers x 11 mm, PA 66, Colour: white, Self-adhesive
GTIN (EAN)	4032248402731	
Qty.	200 pc(s).	