

**ModuPlug
HDC MHP100 F 25****Weidmüller Interface GmbH & Co. KG**

Klingenbergstraße 26

D-32758 Detmold

Germany

Fon: +49 5231 14-0

Fax: +49 5231 14-292083

www.weidmueller.com



Crimps provide a electrical and mechanical connection between wire and contact that is both secure and reliable. The optimal crimp connection is gas-tight and corrosion-resistant.

General ordering data

Type	HDC MHP100 F 25
Order No.	1435820000
Version	Female, silver, 25 mm ²
GTIN (EAN)	4050118240801
Qty.	10 pc(s).

Data sheet

ModuPlug HDC MHP100 F 25

Weidmüller Interface GmbH & Co. KG
 Klingenbergstraße 26
 D-32758 Detmold
 Germany
 Fon: +49 5231 14-0
 Fax: +49 5231 14-292083
 www.weidmueller.com

Technical data

Dimensions and weights

Net weight	14.451 g
------------	----------

Temperatures

Limit temperature	-40 °C ... 125 °C
-------------------	-------------------

Environmental Product Compliance

REACH SVHC	Lead 7439-92-1
------------	----------------

General data

Cross-section for connected wire	25 mm ²	Material	Copper alloy
Plugging cycles	≥ 500	Production methods	turned
Stripping length, rated connection	19 mm	Surface finish	silver
Type	Female	Type of connection	Crimp connection

Classifications

ETIM 6.0	EC000796	ETIM 7.0	EC000796
eClass 9.0	27-44-02-04	eClass 9.1	27-44-02-04
eClass 10.0	27-44-02-04		

Approvals

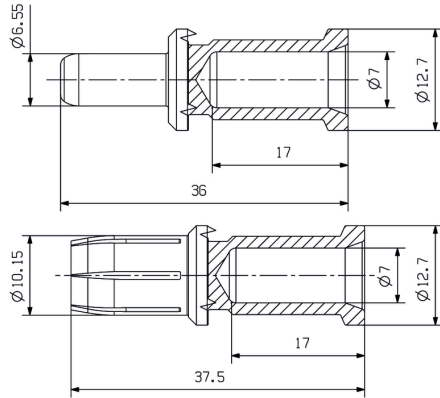
ROHS	Conform
------	---------

Downloads

Brochure/Catalogue	CAT 3 HDC 17/18 EN FL FIELDWIRING EN
Engineering Data	EPLAN
Engineering Data	STEP

Data sheet**ModuPlug
HDC MHP100 F 25**

Weidmüller Interface GmbH & Co. KG
Klingenbergstraße 26
D-32758 Detmold
Germany
Fon: +49 5231 14-0
Fax: +49 5231 14-292083
www.weidmueller.com

Drawings

**ModuPlug
HDC MHP100 F 25**

Weidmüller Interface GmbH & Co. KG
Klingenbergstraße 26
D-32758 Detmold
Germany
Fon: +49 5231 14-0
Fax: +49 5231 14-292083
www.weidmueller.com

Accessories

Tools



Crimping tools for cable lugs, connectors and wire-end ferrules with interchangeable inserts

- extremely fast processing thanks to hydraulic support
- large processing range up to 300 mm²
- 270° revolving quick-action crimping head
- automatic pressure limitation and monitoring via pressure sensor
- electronic control and monitoring of the crimping process
- Saving of all crimping cycles and error messages to internal memory
- Reading of all cycles and error messages via USB
- Li-ion rechargeable battery with charge status indicator: 18 V, 1.5 Ah

General ordering data

Type	EPG 45	Version
Order No.	1500830000	Pressing tool, 6mm ² , 150mm ²
GTIN (EAN)	4050118309317	
Qty.	1 pc(s).	

... for compression cable lugs (acc. to DIN 46235)



Crimping tools for cable lugs, connectors and wire-end ferrules with interchangeable inserts

- extremely fast processing thanks to hydraulic support
- large processing range up to 300 mm²
- 270° revolving quick-action crimping head
- automatic pressure limitation and monitoring via pressure sensor
- electronic control and monitoring of the crimping process
- Saving of all crimping cycles and error messages to internal memory
- Reading of all cycles and error messages via USB
- Li-ion rechargeable battery with charge status indicator: 18 V, 1.5 Ah

General ordering data

Type	ES EPG 45 HEX 25/50	Version
Order No.	1500970000	Hexagonal crimp
GTIN (EAN)	4050118309195	
Qty.	1 pc(s).	