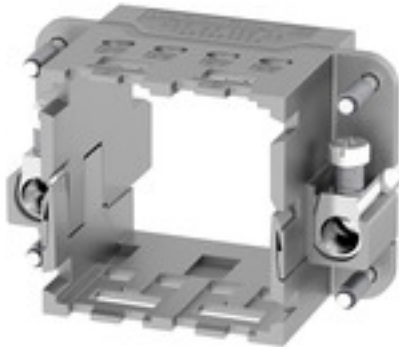


**ModuPlug
HDC MF 6B AB**

Weidmüller Interface GmbH & Co. KG
 Klingenbergstraße 26
 D-32758 Detmold
 Germany
 Fon: +49 5231 14-0
 Fax: +49 5231 14-292083
 www.weidmueller.com



Simple

The innovative sliding frame has two defined lock-in positions for opening and closing. This enables simple and tool-free module assembly.

General ordering data

Type	HDC MF 6B AB
Order No.	1428920000
Version	Frame
GTIN (EAN)	4050118233414
Qty.	1 pc(s).

Data sheet

**ModuPlug
HDC MF 6B AB**

Weidmüller Interface GmbH & Co. KG
 Klingenbergstraße 26
 D-32758 Detmold
 Germany
 Fon: +49 5231 14-0
 Fax: +49 5231 14-292083
 www.weidmueller.com

Technical data

Dimensions and weights

Width	51 mm	Width (inches)	2.008 inch
Height	36.4 mm	Height (inches)	1.433 inch
Depth	37.35 mm	Depth (inches)	1.47 inch
Net weight	63.441 g		

Temperatures

Limit temperature -40 °C ... 125 °C

Environmental Product Compliance

REACH SVHC Lead 7439-92-1

General data

Material	Diecast zinc	Number of slots	2
Plugging cycles	≥ 500	Series	ModuPlug
Size	3		

PE connection data

Conductor cross-section, max.	10 mm ²	Conductor cross-section, min.	0.5 mm ²
Connection type PE	Screw connection	Tightening torque, max. PE connection	1.2 Nm

Classifications

ETIM 6.0	EC002312	ETIM 7.0	EC002312
eClass 9.0	27-44-02-06	eClass 9.1	27-44-02-06
eClass 10.0	27-44-02-06		

Approvals

Approvals



ROHS Conform

Downloads

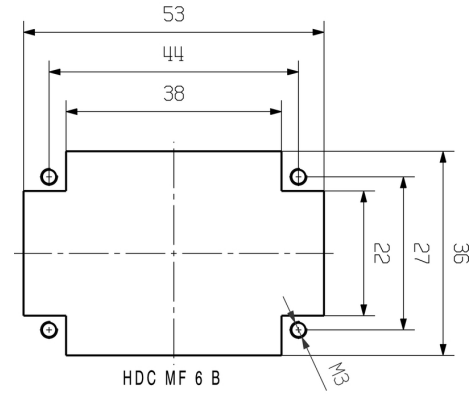
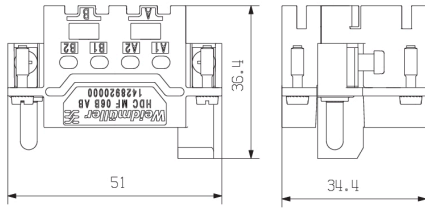
Brochure/Catalogue	CAT 3 HDC 17/18 EN FL FIELDWIRING EN
Engineering Data	EPLAN
Engineering Data	STEP

Data sheet

**ModuPlug
HDC MF 6B AB**

Weidmüller Interface GmbH & Co. KG
Klingenbergstraße 26
D-32758 Detmold
Germany
Fon: +49 5231 14-0
Fax: +49 5231 14-292083
www.weidmueller.com

Drawings



ModuPlug HDC MF 6B AB

Weidmüller Interface GmbH & Co. KG
 Klingenbergstraße 26
 D-32758 Detmold
 Germany
 Fon: +49 5231 14-0
 Fax: +49 5231 14-292083
 www.weidmueller.com

Accessories

Miscellaneous



In addition to heavy-duty connectors, RockStar® includes the appropriate accessories for effective, functional and safe system cabling; e.g. coding systems, shield clamps, cover plates and replacement seals

General ordering data

Type	HDC MF CA 16 PE	Version
Order No.	1480940000	PE extension
GTIN (EAN)	4050118289657	
Qty.	10 pc(s).	
Type	HDC MF FIXING	Version
Order No.	1480290000	Transport lock
GTIN (EAN)	4050118288704	
Qty.	20 pc(s).	

ModuPlug



Many demands are made on a connector's shielding. Several tailored solutions are available for meeting these requirements:

- Shield discharge via an EMC cable gland
- The use of shield levers together with shield clips

Shield clips are used to fasten the shielded conductor to the shield lever. The shield clips are available in various sizes for different sized conductors.

General ordering data

Type	HDC MSL6	Version
Order No.	1435410000	Shield clamp
GTIN (EAN)	4050118239898	
Qty.	1 pc(s).	