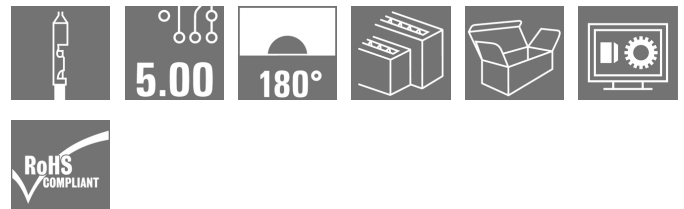


## OMNIMATE Signal - series RSV RSV1,6 S12 GR

**Weidmüller Interface GmbH & Co. KG**  
Klingenbergstraße 26  
D-32758 Detmold  
Germany  
Fon: +49 5231 14-0  
Fax: +49 5231 14-292083  
www.weidmueller.com



Similar to illustration

Rectangular plug-in connector for use with crimp contacts. Can be used as universal coupling, but also with the PCB variations. The crimp contacts guarantee a high connection density. CS 1.6 or CB 1.6 contacts can be used here. The plug-in connectors can be coded and locked to the mating connector. Supplied in cardboard box.

### General ordering data

Type	RSV1,6 S12 GR
Order No.	<a href="#">1416 100000</a>
Version	PCB plug-in connector, male plug, 5.00 mm, Number of poles: 12, 180°, Crimp connection, Clamping range, max. : 3.31 mm <sup>2</sup> , Box
GTIN (EAN)	4008190100889
Qty.	25 pc(s).
Product data	IEC: 630 V / 17 A UL: 600 V / 10 A / AWG 26 - AWG 12
Packaging	Box

Creation date May 3, 2020 9:52:02 AM CEST

**OMNIMATE Signal - series RSV  
RSV1,6 S12 GR**

**Weidmüller Interface GmbH & Co. KG**  
Klingenbergstraße 26  
D-32758 Detmold  
Germany  
Fon: +49 5231 14-0  
Fax: +49 5231 14-292083  
www.weidmueller.com

**Technical data**
**Dimensions and weights**

Net weight 11 g

**System Parameters**

Product family		Type of connection	
	OMNIMATE Signal - series RSV		Field connection
Wire connection method	Crimp connection	Pitch in mm (P)	5 mm
Pitch in inches (P)	0.197 inch	Conductor outlet direction	180°
Number of poles	12	L1 in mm	15 mm
L1 in inches	0.591 inch	Number of rows	1
Pin series quantity	3	Touch-safe protection acc. to DIN VDE 57 106	Safe from finger touch, plugged
Touch-safe protection acc. to DIN VDE 0470	IP20 plugged	Stripping length	4 mm
Plugging force/pole, max.	9 N	Pulling force/pole, max.	18 N

**Material data**

Insulating material		Colour	
	Wemid (PA)		Pebble grey
Colour chart (similar)	RAL 7032	Insulating material group	I
Comparative Tracking Index (CTI)	≥ 600	UL 94 flammability rating	V-0
Contact material	Copper alloy	Storage temperature, min.	-25 °C
Storage temperature, max.	50 °C	Max. relative humidity during storage	70 %
Operating temperature, min.	-50 °C	Operating temperature, max.	100 °C
Temperature range, installation, min.	-25 °C	Temperature range, installation, max.	100 °C

**Conductors suitable for connection**

Clamping range, min.	0.13 mm <sup>2</sup>	Clamping range, max.	3.31 mm <sup>2</sup>
Flexible, min. H05(07) V-K	0.2 mm <sup>2</sup>	Flexible, max. H05(07) V-K	2.5 mm <sup>2</sup>
Max. clamping range	3.31 mm <sup>2</sup>		


**Rated data acc. to IEC**

tested acc. to standard	IEC 60664-1, IEC 61984	Rated current, min. number of poles (Tu=20°C)	17 A
Rated current, max. number of poles (Tu=20°C)	13 A	Rated current, min. number of poles (Tu=40°C)	15 A
Rated current, max. number of poles (Tu=40°C)	11.5 A	Rated voltage for surge voltage class / pollution degree II/2	630 V
Rated voltage for surge voltage class / pollution degree III/2	400 V	Rated voltage for surge voltage class / pollution degree III/3	250 V
Rated impulse voltage for surge voltage class/ pollution degree II/2	4 kV	Rated impulse voltage for surge voltage class/ pollution degree III/2	4 kV
Rated impulse voltage for surge voltage class/ contamination degree III/3	4 kV	Short-time withstand current resistance	3 x 1s with 120 A


**OMNIMATE Signal - series RSV  
RSV1,6 S12 GR**

**Weidmüller Interface GmbH & Co. KG**  
 Klingenbergstraße 26  
 D-32758 Detmold  
 Germany  
 Fon: +49 5231 14-0  
 Fax: +49 5231 14-292083  
 www.weidmueller.com

**Technical data****Rated data acc. to CSA**

Institute (CSA)		Certificate No. (CSA)	53975-13
Rated voltage (Use group C / CSA)	600 V	Rated current (Use group C / CSA)	13 A
Wire cross-section, AWG, min.	AWG 26	Wire cross-section, AWG, max.	AWG 12
Reference to approval values	Specifications are maximum values, details - see approval certificate.		

**Rated data acc. to UL 1059**

Institute (UR)		Certificate No. (UR)	E92202
Reference to approval values	Specifications are maximum values, details - see approval certificate.		

**Packing**

Packaging	Box	VPE length	54 mm
VPE width	138 mm	VPE height	216 mm

**Classifications**

ETIM 6.0	EC002638	ETIM 7.0	EC002638
eClass 9.0	27-44-03-09	eClass 9.1	27-44-03-09
eClass 10.0	27-44-03-09	UNSPSC	30-21-18-10

**Notes**

Notes	<ul style="list-style-type: none"> <li>• Additional colours on request</li> <li>• Rated current related to rated cross-section &amp; min. No. of poles.</li> <li>• Spacing between rows: see hole layout</li> <li>• Rated cross-section depends on crimp contact used.</li> <li>• Rated data refer only to the component itself. Clearance and creepage distances to other components are to be designed in accordance with the relevant application standards.</li> <li>• Max. outer diameter of the cable (with insulation): 3.5 mm</li> </ul>
IPC conformity	Conformity: The products are developed, manufactured and delivered according international recognized standards and norms and comply with the assured properties in the data sheet resp. fulfill decorative properties in accordance with IPC-A-610 "Class 2". Further claims on the products can be evaluated on request.

**Data sheet****OMNIMATE Signal - series RSV  
RSV1,6 S12 GR**

**Weidmüller Interface GmbH & Co. KG**  
Klingenbergstraße 26  
D-32758 Detmold  
Germany  
Fon: +49 5231 14-0  
Fax: +49 5231 14-292083  
www.weidmueller.com

**Technical data****Approvals**

Approvals



ROHS

Conform

**Downloads**Approval/Certificate/Document of  
Conformity[Declaration of the Manufacturer](#)

Brochure/Catalogue

[MB DEVICE MANUF. EN](#)  
[CAT 2 PORTFOLIOGUIDE EN](#)  
[FL 72H SAMPLE SER EN](#)  
[PO OMNIMATE EN](#)

Engineering Data

[EPLAN\\_WSCAD](#)

Engineering Data

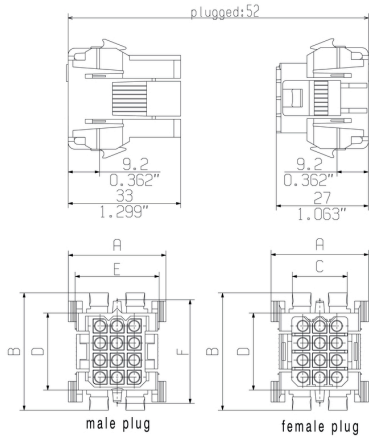
[RSV1.6.zip](#)

**OMNIMATE Signal - series RSV  
RSV1,6 S12 GR**

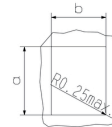
**Weidmüller Interface GmbH & Co. KG**  
Klingenbergstraße 26  
D-32758 Detmold  
Germany  
Fon: +49 5231 14-0  
Fax: +49 5231 14-292083  
www.weidmueller.com

**Drawings**

**Dimensional drawing**



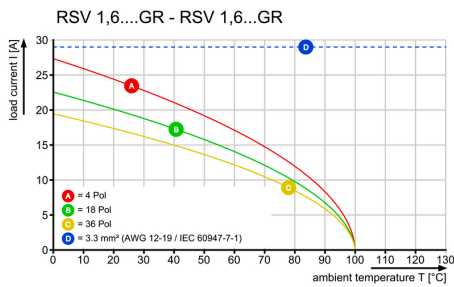
**Dimensional drawing**



mounting cut-out  
wall thickness : 1,3 - 2,3mm  
recommended : 1,5 - 2,0mm

poles	dimension male plug / female plug					mounting cut-out	
	A	B	C	D	E	a ±0.2	b ±0.2
4	23.0	25.0	10.8	12.8	17.8	20.3	18.1
6	23.0	30.0	10.8	17.8	17.8	25.1	18.1
9	29.0	30.0	16.6	17.6	23.8	25.1	24.0
12	29.0	35.0	16.6	22.6	23.8	30.0	24.0
18	29.0	46.0	16.6	23.0	23.8	40.5	24.0
24	31.0	46.0	20.6	23.0	27.8	40.5	26.3
36	33.0	61.0	20.6	48.0	27.8	55.5	28.3

**Graph**



## OMNIMATE Signal - series RSV RSV1,6 S12 GR

**Weidmüller Interface GmbH & Co. KG**  
 Klingenbergstraße 26  
 D-32758 Detmold  
 Germany  
 Fon: +49 5231 14-0  
 Fax: +49 5231 14-292083  
 www.weidmueller.com

# Accessories

### Strain reliefs



#### For frequent load changes: the "trailer coupling" for plug-in connectors.

The strain relief can do more than just relieve the strain on conductors:

Simply clip onto the plug and

- bundle conductors
- guide cables
- use as a connection and disconnection aid

No damage to the connecting points, clear, tidy wiring and easy to handle.

User advantages: permanent heavy-duty connections for harsh industrial environments and convenient operation ensure improved system availability.

### General ordering data

Type	RSV1,6 ZE12 BK BX	Version	Product data	Packaging
Order No.	<a href="#">1563300000</a>	PCB plug-in connector, Accessories, Strain relief, black, Number of poles: 12		Box
GTIN (EAN)	4008190095871			
Qty.	25 pc(s).			

### Pin contact standard



#### For a reliable contact - CB/CS crimp contact.

The combination of RSV housings and Weidmüller's crimp contacts enable custom adaptations to the specific requirements of your applications.

The following product options are available depending on the system:

- Safe centring of the contacts using the three-segment pin tips
- High contact reliability using four defined contact points
- Locking clasp in the cantilever spring for a secure mount of the contacts in the housing
- Pin contacts with two lengths to implement leading-pin contacts
- Up to 100 plugging cycles (tin version)
- Up to 500 plugging cycles (gold version)

The appropriate high-quality tools from Weidmüller guarantee professional processing.

### General ordering data

Type	CS1,6E18-16 SN I2,5	Version	Product data	Packaging
Order No.	<a href="#">1427600000</a>	PCB plug-in connector, Crimp contact, Individual contact, Pin &ndash; standard, tinned, Max. clamping range : 1.5 mm <sup>2</sup>		Box
GTIN (EAN)	4008190090654			
Qty.	250 pc(s).			

**OMNIMATE Signal - series RSV**  
**RSV1,6 S12 GR**

**Weidmüller Interface GmbH & Co. KG**  
 Klingenbergstraße 26  
 D-32758 Detmold  
 Germany  
 Fon: +49 5231 14-0  
 Fax: +49 5231 14-292083  
 www.weidmueller.com

**Accessories**

Type	Version	Product data	Packaging
CS1,6E18-16 AU,75 I2,5 Order No. <a href="#">1426600000</a> GTIN (EAN) 4008190182861 Qty. 250 pc(s).	Version PCB plug-in connector, Crimp contact, Individual contact, Pin &ndash; standard, Gold-plated, Max. clamping range : 1.5 mm <sup>2</sup>		Box
CS1,6E22-20 SN I2,5 Order No. <a href="#">1425600000</a> GTIN (EAN) 4008190048884 Qty. 250 pc(s).	Version PCB plug-in connector, Crimp contact, Individual contact, Pin &ndash; standard, tinned, Max. clamping range : 0.5 mm <sup>2</sup>		Box
CS1,6E22-20 AU,75 I2,5 Order No. <a href="#">1424600000</a> GTIN (EAN) 4008190186562 Qty. 250 pc(s).	Version PCB plug-in connector, Crimp contact, Individual contact, Pin &ndash; standard, Gold-plated, Max. clamping range : 0.5 mm <sup>2</sup>		Box
CS1,6R22-20 AU,75 I2,5 Order No. <a href="#">1424500000</a> GTIN (EAN) 4008190158811 Qty. 5,000 pc(s).	Version PCB plug-in connector, Crimp contact, Reel packaged, Pin &ndash; standard, Gold-plated, Max. clamping range : 0.5 mm <sup>2</sup>		Reel
CS1,6R18-16 AU,75 I3,5 Order No. <a href="#">1582260000</a> GTIN (EAN) 4008190184100 Qty. 4,000 pc(s).	Version PCB plug-in connector, Crimp contact, Reel packaged, Pin &ndash; standard, Gold-plated, Max. clamping range : 1.5 mm <sup>2</sup>		Reel
CS1,6R18-16 SN I2,5 Order No. <a href="#">1427500000</a> GTIN (EAN) 4008190014551 Qty. 5,000 pc(s).	Version PCB plug-in connector, Crimp contact, Reel packaged, Pin &ndash; standard, tinned, Max. clamping range : 1.5 mm <sup>2</sup>		Reel
CS1,6R14-12 SN I3,5 Order No. <a href="#">1429500000</a> GTIN (EAN) 4008190113919 Qty. 4,000 pc(s).	Version PCB plug-in connector, Crimp contact, Reel packaged, Pin &ndash; standard, tinned, Max. clamping range : 2.5 mm <sup>2</sup>		Reel
CS1,6E14-12 SN I3,5 Order No. <a href="#">1429600000</a> GTIN (EAN) 4008190030728 Qty. 250 pc(s).	Version PCB plug-in connector, Crimp contact, Individual contact, Pin &ndash; standard, tinned, Max. clamping range : 2.5 mm <sup>2</sup>		Box
CS1,6E18-16 SN I3,5 Order No. <a href="#">1582270000</a> GTIN (EAN) 4008190126049 Qty. 250 pc(s).	Version PCB plug-in connector, Crimp contact, Individual contact, Pin &ndash; standard, tinned, Max. clamping range : 1.5 mm <sup>2</sup>		Box
CS1,6E26-24 SN I1,4 Order No. <a href="#">1421600000</a> GTIN (EAN) 4008190009939 Qty. 250 pc(s).	Version PCB plug-in connector, Crimp contact, Individual contact, Pin &ndash; standard, tinned, Max. clamping range : 0.25 mm <sup>2</sup>		Box
CS1,6R14-12 SN I4,2 Order No. <a href="#">1582320000</a> GTIN (EAN) 4008190008680 Qty. 3,000 pc(s).	Version PCB plug-in connector, Crimp contact, Reel packaged, Pin &ndash; standard, tinned, Max. clamping range : 2.5 mm <sup>2</sup>		Reel
CS1,6E22-20 AU,75 I1,8 Order No. <a href="#">1422600000</a> GTIN (EAN) 4008190090463 Qty. 250 pc(s).	Version PCB plug-in connector, Crimp contact, Individual contact, Pin &ndash; standard, Gold-plated, Max. clamping range : 0.5 mm <sup>2</sup>		Box
CS1,6R14-12 AU,75 I3,5 Order No. <a href="#">1428500000</a> GTIN (EAN) 4008190023201 Qty. 3,000 pc(s).	Version PCB plug-in connector, Crimp contact, Reel packaged, Pin &ndash; standard, Gold-plated, Max. clamping range : 2.5 mm <sup>2</sup>		Reel

Creation date May 3, 2020 9:52:02 AM CEST

Catalogue status 17.04.2020 / We reserve the right to make technical changes.

**OMNIMATE Signal - series RSV**  
**RSV1,6 S12 GR**

**Weidmüller Interface GmbH & Co. KG**  
 Klingenbergstraße 26  
 D-32758 Detmold  
 Germany  
 Fon: +49 5231 14-0  
 Fax: +49 5231 14-292083  
 www.weidmueller.com

**Accessories**

Type	CS1,6R18-16 SN I3,5	Version	Product data	Packaging
Order No.	<a href="#">1582280000</a>	PCB plug-in connector, Crimp contact, Reel packaged, Pin &ndash;		Reel
GTIN (EAN)	4008190029401	standard, tinned, Max. clamping range : 1.5 mm <sup>2</sup>		
Qty.	4,000 pc(s).			
Type	CS1,6E18-16 AU,75 I3,5	Version	Product data	Packaging
Order No.	<a href="#">1582250000</a>	PCB plug-in connector, Crimp contact, Individual contact, Pin &ndash;		Box
GTIN (EAN)	4008190135614	standard, Gold-plated, Max. clamping range : 1.5 mm <sup>2</sup>		
Qty.	250 pc(s).			
Type	CS1,6R26-24 SN I1,4	Version	Product data	Packaging
Order No.	<a href="#">1421500000</a>	PCB plug-in connector, Crimp contact, Reel packaged, Pin &ndash;		Reel
GTIN (EAN)	4008190064310	standard, tinned, Max. clamping range : 0.25 mm <sup>2</sup>		
Qty.	5,000 pc(s).			
Type	CS1,6E14-12 AU,75 I3,5	Version	Product data	Packaging
Order No.	<a href="#">1428600000</a>	PCB plug-in connector, Crimp contact, Individual contact, Pin &ndash;		Box
GTIN (EAN)	4008190078867	standard, Gold-plated, Max. clamping range : 2.5 mm <sup>2</sup>		
Qty.	250 pc(s).			
Type	CS1,6R22-20 SN I2,5	Version	Product data	Packaging
Order No.	<a href="#">1425500000</a>	PCB plug-in connector, Crimp contact, Reel packaged, Pin &ndash;		Reel
GTIN (EAN)	4008190004781	standard, tinned, Max. clamping range : 0.5 mm <sup>2</sup>		
Qty.	5,000 pc(s).			
Type	CS1,6E22-20 SN I1,8	Version	Product data	Packaging
Order No.	<a href="#">1423600000</a>	PCB plug-in connector, Crimp contact, Individual contact, Pin &ndash;		Box
GTIN (EAN)	4008190061876	standard, tinned, Max. clamping range : 0.5 mm <sup>2</sup>		
Qty.	250 pc(s).			
Type	CS1,6R22-20 SN I1,8	Version	Product data	Packaging
Order No.	<a href="#">1423500000</a>	PCB plug-in connector, Crimp contact, Reel packaged, Pin &ndash;		Reel
GTIN (EAN)	4008190085063	standard, tinned, Max. clamping range : 0.5 mm <sup>2</sup>		
Qty.	5,000 pc(s).			
Type	CS1,6E26-24 AU,75 I1,4	Version	Product data	Packaging
Order No.	<a href="#">1420600000</a>	PCB plug-in connector, Crimp contact, Individual contact, Pin &ndash;		Box
GTIN (EAN)	4008190082772	standard, Gold-plated, Max. clamping range : 0.25 mm <sup>2</sup>		
Qty.	250 pc(s).			
Type	CS1,6E14-12 SN I4,2	Version	Product data	Packaging
Order No.	<a href="#">1582310000</a>	PCB plug-in connector, Crimp contact, Individual contact, Pin &ndash;		Box
GTIN (EAN)	4008190032975	standard, tinned, Max. clamping range : 2.5 mm <sup>2</sup>		
Qty.	250 pc(s).			
Type	CS1,6R18-16 AU,75 I2,5	Version	Product data	Packaging
Order No.	<a href="#">1426500000</a>	PCB plug-in connector, Crimp contact, Reel packaged, Pin &ndash;		Reel
GTIN (EAN)	4008190159146	standard, Gold-plated, Max. clamping range : 1.5 mm <sup>2</sup>		
Qty.	5,000 pc(s).			
Type	CS1,6RB18-16 AU,75 I3,5	Version	Product data	Packaging
Order No.	<a href="#">1017080000</a>	PCB plug-in connector, Crimp contact, Reel packaged, Pin &ndash;		
GTIN (EAN)	4032248727711	standard, Gold-plated, Max. clamping range : 1.5 mm <sup>2</sup>		
Qty.	4,000 pc(s).			
Type	CS1,6E14-12 AU,75 I4,2	Version	Product data	Packaging
Order No.	<a href="#">1582290000</a>	PCB plug-in connector, Crimp contact, Individual contact, Pin &ndash;		Box
GTIN (EAN)	4008190015244	standard, Gold-plated, Max. clamping range : 2.5 mm <sup>2</sup>		
Qty.	250 pc(s).			
Type	CS1,6R22-20 AU,75 I1,8	Version	Product data	Packaging
Order No.	<a href="#">1422500000</a>	PCB plug-in connector, Crimp contact, Reel packaged, Pin &ndash;		Reel
GTIN (EAN)	4008190093648	standard, Gold-plated, Max. clamping range : 0.5 mm <sup>2</sup>		
Qty.	5,000 pc(s).			

Creation date May 3, 2020 9:52:02 AM CEST



**OMNIMATE Signal - series RSV  
RSV1,6 S12 GR**

**Weidmüller Interface GmbH & Co. KG**  
 Klingenbergstraße 26  
 D-32758 Detmold  
 Germany  
 Fon: +49 5231 14-0  
 Fax: +49 5231 14-292083  
 www.weidmueller.com

**Accessories**

Type	CS1,6R26-24 AU,75 I1,4	Version	Product data	Packaging
Order No.	<a href="#">1420500000</a>	PCB plug-in connector, Crimp contact, Reel packaged, Pin &ndash;		Reel
GTIN (EAN)	4008190117931	standard, Gold-plated, Max. clamping range : 0.25 mm <sup>2</sup>		
Qty.	5,000 pc(s).			
Type	CS1,6R14-12 AU,75 I4,2	Version	Product data	Packaging
Order No.	<a href="#">1582300000</a>	PCB plug-in connector, Crimp contact, Reel packaged, Pin &ndash;		Reel
GTIN (EAN)	4008190020668	standard, Gold-plated, Max. clamping range : 2.5 mm <sup>2</sup>		
Qty.	3,000 pc(s).			

**Pin contact, long****For a reliable contact - CB/CS crimp contact.**

The combination of RSV housings and Weidmüller's crimp contacts enable custom adaptations to the specific requirements of your applications.

The following product options are available depending on the system:

- Safe centring of the contacts using the three-segment pin tips
- High contact reliability using four defined contact points
- Locking clasp in the cantilever spring for a secure mount of the contacts in the housing
- Pin contacts with two lengths to implement leading-pin contacts
- Up to 100 plugging cycles (tin version)
- Up to 500 plugging cycles (gold version)

The appropriate high-quality tools from Weidmüller guarantee professional processing.

**General ordering data**

Type	CSL1,6R14-12 AU,75 I3,5	Version	Product data	Packaging
Order No.	<a href="#">1565760000</a>	PCB plug-in connector, Crimp contact, Reel packaged, Pin &ndash;		Box
GTIN (EAN)	4008190134693	long, Gold-plated, Max. clamping range : 2.5 mm <sup>2</sup>		
Qty.	4,000 pc(s).			
Type	CSL1,6R22-20 AU,75 I2,5	Version	Product data	Packaging
Order No.	<a href="#">1565820000</a>	PCB plug-in connector, Crimp contact, Reel packaged, Pin &ndash;		Box
GTIN (EAN)	4008190130732	long, Gold-plated, Max. clamping range : 0.5 mm <sup>2</sup>		
Qty.	5,000 pc(s).			
Type	CSL1,6R18-16 SN I3,5	Version	Product data	Packaging
Order No.	<a href="#">1582360000</a>	PCB plug-in connector, Crimp contact, Reel packaged, Pin &ndash;		Box
GTIN (EAN)	4008190063214	long, tinned, Max. clamping range : 1.5 mm <sup>2</sup>		
Qty.	4,000 pc(s).			
Type	CSL1,6R22-20 SN I2,5	Version	Product data	Packaging
Order No.	<a href="#">1565840000</a>	PCB plug-in connector, Crimp contact, Reel packaged, Pin &ndash;		Box
GTIN (EAN)	4008190096014	long, tinned, Max. clamping range : 0.5 mm <sup>2</sup>		
Qty.	5,000 pc(s).			
Type	CSL1,6E14-12 AU,75 I3,5	Version	Product data	Packaging
Order No.	<a href="#">1428700000</a>	PCB plug-in connector, Crimp contact, Individual contact, Pin &ndash;		Box
GTIN (EAN)	4008190098353	long, Gold-plated, Max. clamping range : 2.5 mm <sup>2</sup>		
Qty.	250 pc(s).			

Creation date May 3, 2020 9:52:02 AM CEST

**OMNIMATE Signal - series RSV**  
**RSV1,6 S12 GR**

**Weidmüller Interface GmbH & Co. KG**  
 Klingenbergstraße 26  
 D-32758 Detmold  
 Germany  
 Fon: +49 5231 14-0  
 Fax: +49 5231 14-292083  
 www.weidmueller.com

**Accessories**

Type	Version	Product data	Packaging
CSL1,6R18-16 AU,75 I3,5			
Order No. <a href="#">1582340000</a>	PCB plug-in connector, Crimp contact, Reel packaged, Pin &dash;		Box
GTIN (EAN) 4008190086756	long, Gold-plated, Max. clamping range : 1.5 mm <sup>2</sup>		
Qty. 4,000 pc(s).			
CSL1,6E14-12 SN I4,2			
Order No. <a href="#">1582390000</a>	PCB plug-in connector, Crimp contact, Individual contact, Pin &dash;		Box
GTIN (EAN) 4008190166762	long, tinned, Max. clamping range : 2.5 mm <sup>2</sup>		
Qty. 250 pc(s).			
CSL1,6E18-16 AU,75 I2,5			
Order No. <a href="#">1426700000</a>	PCB plug-in connector, Crimp contact, Individual contact, Pin &dash;		Box
GTIN (EAN) 4008190170516	long, Gold-plated, Max. clamping range : 1.5 mm <sup>2</sup>		
Qty. 250 pc(s).			
CSL1,6E22-20 SN I1,8			
Order No. <a href="#">1423700000</a>	PCB plug-in connector, Crimp contact, Individual contact, Pin &dash;		Box
GTIN (EAN) 4008190001766	long, tinned, Max. clamping range : 0.5 mm <sup>2</sup>		
Qty. 250 pc(s).			
CSL1,6R18-16 SN I2,5			
Order No. <a href="#">1565810000</a>	PCB plug-in connector, Crimp contact, Reel packaged, Pin &dash;		Box
GTIN (EAN) 4008190056803	long, tinned, Max. clamping range : 1.5 mm <sup>2</sup>		
Qty. 5,000 pc(s).			
CSL1,6E14-12 AU,75 I4,2			
Order No. <a href="#">1582370000</a>	PCB plug-in connector, Crimp contact, Individual contact, Pin &dash;		Box
GTIN (EAN) 4008190055608	long, Gold-plated, Max. clamping range : 2.5 mm <sup>2</sup>		
Qty. 250 pc(s).			
CSL1,6R14-12 AU,75 I4,2			
Order No. <a href="#">1582380000</a>	PCB plug-in connector, Crimp contact, Reel packaged, Pin &dash;		Box
GTIN (EAN) 4008190130213	long, Gold-plated, Max. clamping range : 2.5 mm <sup>2</sup>		
Qty. 3,000 pc(s).			
CSL1,6R22-20 SN I1,8			
Order No. <a href="#">1565870000</a>	PCB plug-in connector, Crimp contact, Reel packaged, Pin &dash;		Box
GTIN (EAN) 4008190086596	long, tinned, Max. clamping range : 0.5 mm <sup>2</sup>		
Qty. 5,000 pc(s).			
CSL1,6E18-16 SN I3,5			
Order No. <a href="#">1582350000</a>	PCB plug-in connector, Crimp contact, Individual contact, Pin &dash;		Box
GTIN (EAN) 4008190033620	long, tinned, Max. clamping range : 1.5 mm <sup>2</sup>		
Qty. 250 pc(s).			
CSL1,6E14-12 SN I3,5			
Order No. <a href="#">1429700000</a>	PCB plug-in connector, Crimp contact, Individual contact, Pin &dash;		Box
GTIN (EAN) 4008190065577	long, tinned, Max. clamping range : 2.5 mm <sup>2</sup>		
Qty. 250 pc(s).			
CSL1,6E26-24 SN I1,4			
Order No. <a href="#">1421700000</a>	PCB plug-in connector, Crimp contact, Individual contact, Pin &dash;		Box
GTIN (EAN) 4008190109042	long, tinned, Max. clamping range : 0.25 mm <sup>2</sup>		
Qty. 250 pc(s).			
CSL1,6R26-24 AU,75 I1,4			
Order No. <a href="#">1565880000</a>	PCB plug-in connector, Crimp contact, Reel packaged, Pin &dash;		Box
GTIN (EAN) 4008190140410	long, Gold-plated, Max. clamping range : 0.25 mm <sup>2</sup>		
Qty. 5,000 pc(s).			
CSL1,6E18-16 AU,75 I3,5			
Order No. <a href="#">1582330000</a>	PCB plug-in connector, Crimp contact, Individual contact, Pin &dash;		Box
GTIN (EAN) 4008190066079	long, Gold-plated, Max. clamping range : 1.5 mm <sup>2</sup>		
Qty. 250 pc(s).			

Creation date May 3, 2020 9:52:02 AM CEST

Catalogue status 17.04.2020 / We reserve the right to make technical changes.

10

**OMNIMATE Signal - series RSV**  
**RSV1,6 S12 GR**

**Weidmüller Interface GmbH & Co. KG**  
 Klingenbergstraße 26  
 D-32758 Detmold  
 Germany  
 Fon: +49 5231 14-0  
 Fax: +49 5231 14-292083  
 www.weidmueller.com

**Accessories**

Type	CSL1,6R22-20 AU,75 I1,8	Version	Product data	Packaging
Order No.	<a href="#">1565850000</a>	PCB plug-in connector, Crimp contact, Reel packaged, Pin &ndash;		Box
GTIN (EAN)	4008190176600	long, Gold-plated, Max. clamping range : 0.5 mm <sup>2</sup>		
Qty.	5,000 pc(s).			
Type	CSL1,6R18-16 AU,75 I2,5	Version	Product data	Packaging
Order No.	<a href="#">1565790000</a>	PCB plug-in connector, Crimp contact, Reel packaged, Pin &ndash;		Box
GTIN (EAN)	4008190021870	long, Gold-plated, Max. clamping range : 1.5 mm <sup>2</sup>		
Qty.	5,000 pc(s).			
Type	CSL1,6E26-24 AU,75 I1,4	Version	Product data	Packaging
Order No.	<a href="#">1420700000</a>	PCB plug-in connector, Crimp contact, Individual contact, Pin &ndash;		Box
GTIN (EAN)	4008190130176	long, Gold-plated, Max. clamping range : 0.25 mm <sup>2</sup>		
Qty.	250 pc(s).			
Type	CSL1,6E22-20 AU,75 I2,5	Version	Product data	Packaging
Order No.	<a href="#">1424700000</a>	PCB plug-in connector, Crimp contact, Individual contact, Pin &ndash;		Box
GTIN (EAN)	4008190143350	long, Gold-plated, Max. clamping range : 0.5 mm <sup>2</sup>		
Qty.	250 pc(s).			
Type	CSL1,6R26-24 SN I1,4	Version	Product data	Packaging
Order No.	<a href="#">1565900000</a>	PCB plug-in connector, Crimp contact, Reel packaged, Pin &ndash;		Box
GTIN (EAN)	4008190139797	long, tinned, Max. clamping range : 0.25 mm <sup>2</sup>		
Qty.	5,000 pc(s).			
Type	CSL1,6R14-12 SN I3,5	Version	Product data	Packaging
Order No.	<a href="#">1565780000</a>	PCB plug-in connector, Crimp contact, Reel packaged, Pin &ndash;		Box
GTIN (EAN)	4008190056735	long, tinned, Max. clamping range : 2.5 mm <sup>2</sup>		
Qty.	4,000 pc(s).			
Type	CSL1,6E22-20 SN I2,5	Version	Product data	Packaging
Order No.	<a href="#">1425700000</a>	PCB plug-in connector, Crimp contact, Individual contact, Pin &ndash;		Box
GTIN (EAN)	4008190175016	long, tinned, Max. clamping range : 0.5 mm <sup>2</sup>		
Qty.	250 pc(s).			
Type	CSL1,6E18-16 SN I2,5	Version	Product data	Packaging
Order No.	<a href="#">1427700000</a>	PCB plug-in connector, Crimp contact, Individual contact, Pin &ndash;		Box
GTIN (EAN)	4008190057725	long, tinned, Max. clamping range : 1.5 mm <sup>2</sup>		
Qty.	250 pc(s).			
Type	CSL1,6E22-20 AU,75 I1,8	Version	Product data	Packaging
Order No.	<a href="#">1422700000</a>	PCB plug-in connector, Crimp contact, Individual contact, Pin &ndash;		Box
GTIN (EAN)	4008190168667	long, Gold-plated, Max. clamping range : 0.5 mm <sup>2</sup>		
Qty.	250 pc(s).			
Type	CSL1,6R14-12 SN I4,2	Version	Product data	Packaging
Order No.	<a href="#">1582400000</a>	PCB plug-in connector, Crimp contact, Reel packaged, Pin &ndash;		Box
GTIN (EAN)	4008190112912	long, tinned, Max. clamping range : 2.5 mm <sup>2</sup>		
Qty.	3,000 pc(s).			

## OMNIMATE Signal - series RSV RSV1,6 S12 GR

**Weidmüller Interface GmbH & Co. KG**  
 Klingenbergstraße 26  
 D-32758 Detmold  
 Germany  
 Fon: +49 5231 14-0  
 Fax: +49 5231 14-292083  
 www.weidmueller.com

# Accessories

### Coding elements



**Only connects what is supposed to be connected:  
the right connection at the right place.**

Coding elements and locking devices clearly assign connecting elements during the manufacturing process and operation

The coding elements and locking devices are inserted prior to assembly or during the cable assembly phase. The Weidmüller alternative: configure online using the variant configurator to precode prior to delivery.

Incorrect assembly on the circuit board and incorrect plugging of connecting elements is no longer possible. The advantage: no troubleshooting during manufacture and no operational errors by the user.

### General ordering data

Type	RSV1,6 KO	Version	Product data	Packaging
Order No.	<a href="#">1567430000</a>	PCB plug-in connector, Accessories, Coding element, black, Number		Box
GTIN (EAN)	4008190169756	of poles: 1		
Qty.	50 pc(s).			

### Adapters for rail mounting



**Clip on and use!**

From the circuit board in the control cabinet: snap-on or mounting feet form the link between plug-in connectors and terminal rails.

Compatible with all standard sizes: TS 15 or TS 35. Combination foot or variations available.

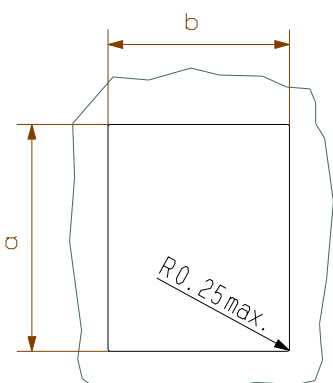
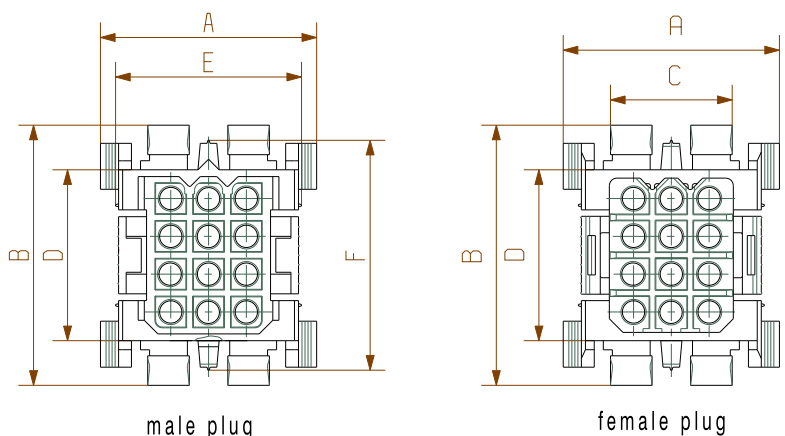
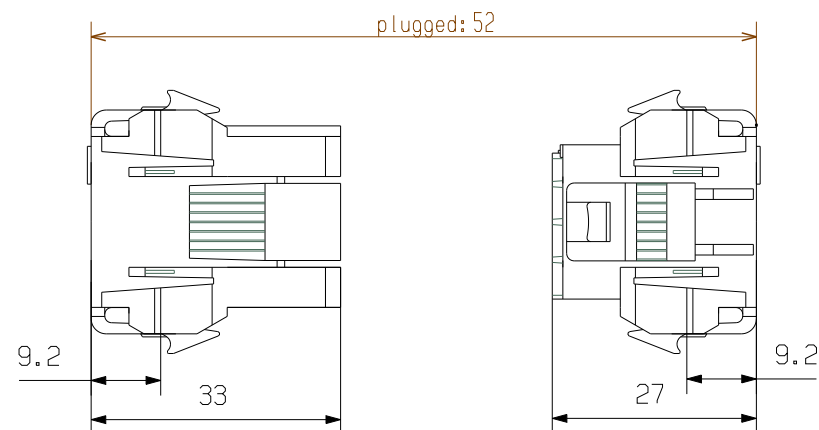
The quick alternative to screw connections: unbeatable ease of installation and service.

The mounting foot for the terminal rails allows the universal use of pluggable connection systems on the module, the enclosure and the control cabinet and avoids patchwork solutions.

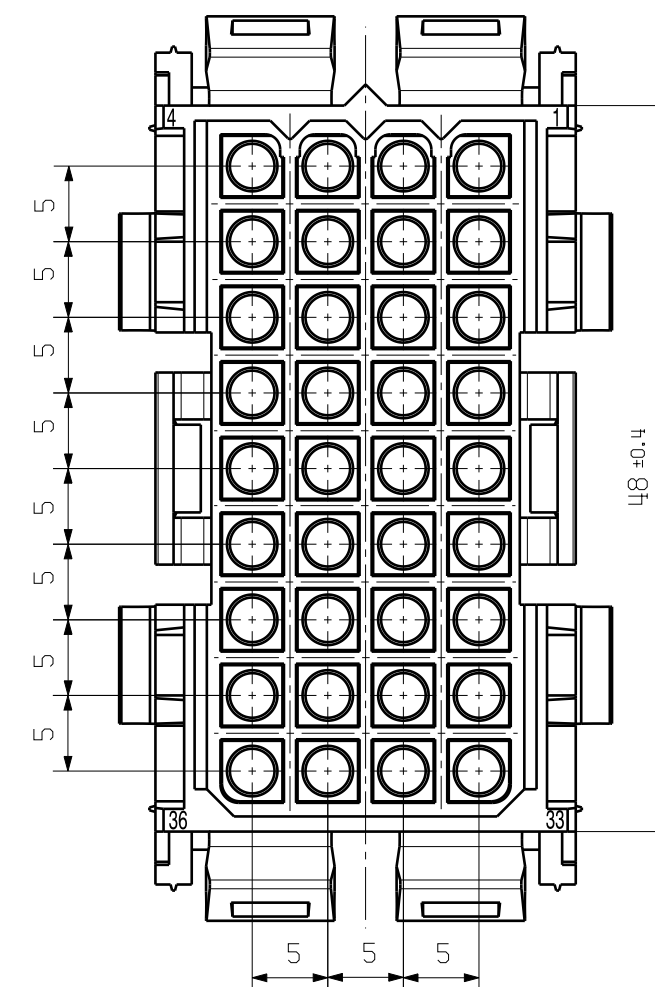
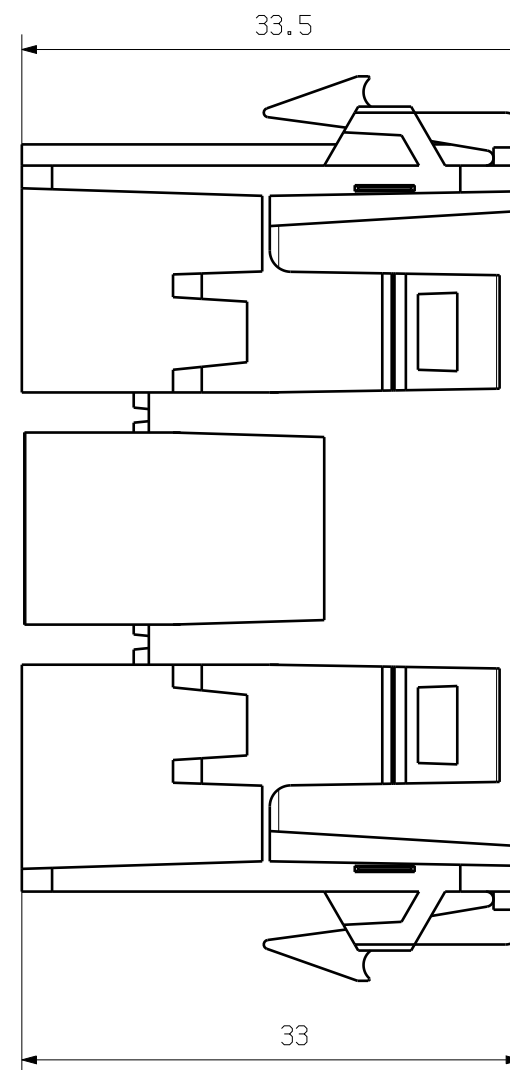
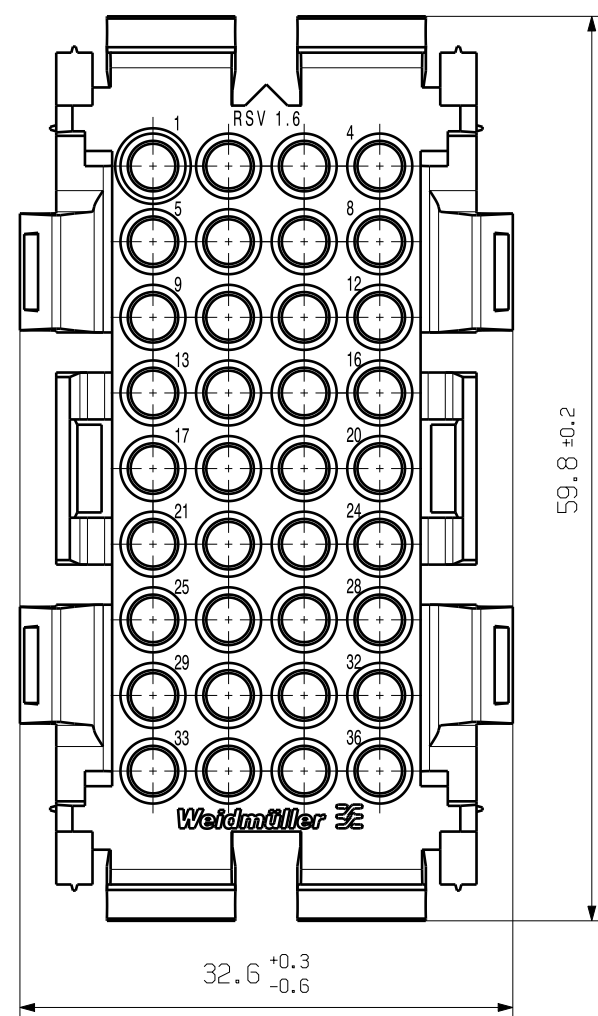
### General ordering data

Type	RSV1,6 RF12/35x15 SW	Version	Product data	Packaging
Order No.	<a href="#">1690140000</a>	PCB plug-in connector, Accessories, Clip-in foot, black, Number of		Box
GTIN (EAN)	4008190863005	poles: 12		
Qty.	10 pc(s).			
Type	RSV1,6 RF12/35x7.5 SW	Version	Product data	Packaging
Order No.	<a href="#">1582940000</a>	PCB plug-in connector, Accessories, Clip-in foot, black, Number of		Box
GTIN (EAN)	4008190068486	poles: 12		
Qty.	10 pc(s).			

Assembly instruction:

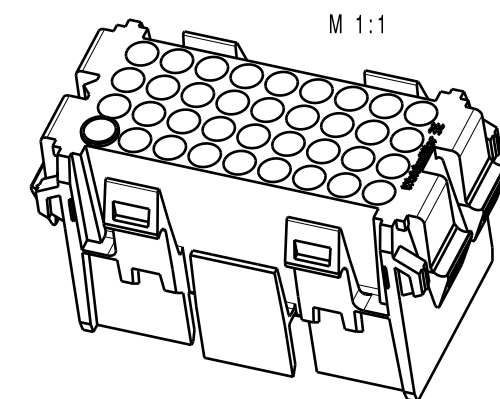


mounting cut-out  
wall thickness : 1,3 - 2,3mm  
recommended : 1,5 - 2,0mm



For the mounting of PCBs, it should be noted that the rated data given in the catalogue relates only to the connection elements. The necessary creepage and clearance paths must be observed in connection with the respective applicant in accordance to VDE 0110. The current-carrying capacity and pitch tolerance is to be determined according to DIN IEC 326 part 3 very fine.

Weidmüller connectors are tested to the DIN VDE 0627 standard, and are valid for its field of application. Provided that the connectors are used to the intended purpose, all requirements with respect to the occurring of electrical, mechanical, thermic and corrosive stress will be satisfied.



poles	dimension male plug / female plug					mounting cut-out	
	A	B	C	D	E	a $\pm 0,3$	b $\pm 0,3$
4	23,0	25,0	10,8	12,8	17,8	20,3	18,1
6	23,0	30,0	10,8	17,6	17,8	25,1	18,1
9	29,0	30,0	16,6	17,6	23,8	25,1	24,0
12	29,0	35,0	16,6	22,6	23,8	30,0	24,0
18	29,0	46,0	16,6	33,0	23,8	40,5	24,0
24	33,0	46,0	20,6	33,0	27,8	40,5	28,3
36	33,0	61,0	20,6	48,0	27,8	55,5	28,3

General tolerance: DIN ISO 2768-mK		94488/5 29.06.18 HELIS_MA 00		Cat.no.: 141910000	
		Modification			
		Drawn	Date	Name	1 14928 15 Drawing no. Issue no. Sheet 01 of 01 sheets
Scale: 10:1		Responsible	25.05.2011	LANG_T	<b>RSV 1.6 S36</b> STECKERGEHÄUSE PLUG MOULDING
Supersedes: .		Checked	12.07.2018	HERTEL_S	
		Approved		LANG_T	Product file: RSV 1.6 CRIMP

The reproduction, distribution and utilization of this document as well as the communication of its contents to others without explicit authorization is prohibited. Offenders will be held liable for the payment of damages. Weidmüller exclusively reserves the right to file for patents, utility models or designs.

© Weidmüller Interface GmbH & Co. KG