

MetalliCard CC-M 70/48 2X3 AL

Weidmüller Interface GmbH & Co. KG
Klingenbergstraße 26
D-32758 Detmold
Germany
Fon: +49 5231 14-0
Fax: +49 5231 14-292083
www.weidmueller.com



MetalliCards are available in aluminium or stainless steel to meet a wide range of labelling requirements. The chrome-coated aluminium tags are the inexpensive alternative for a variety of applications, and in particular, they prove themselves through the deep contrasts of their multi-colour print.

In the technologically demanding chemical and process industries, you are on the safe side when using the stainless steel MetalliCard with its outstanding resistance characteristics. Its formats cover the needs of the entire system-identification spectrum. Whether small equipment or type plates, they ensure high-quality marking processes. The MetalliCard also offers optimum installation characteristics. MetalliCards can be used universally thanks to various fixation options: bonding, riveting, with tag holders or rails, or in combination with stainless steel cable ties.

For custom printing: Please send us a file of our labeling software M-Print PRO or M-Print PRO Online (without installation) for your labeling specifications.

General ordering data

Type	CC-M 70/48 2X3 AL
Order No.	1415720000
Version	MetalliCard, Device markers, 70 x 48 mm, silver
GTIN (EAN)	4050118217094
Qty.	40 pc(s).
compatible printer	1324380000

**MetalliCard
CC-M 70/48 2X3 AL**

Weidmüller Interface GmbH & Co. KG
 Klingenbergstraße 26
 D-32758 Detmold
 Germany
 Fon: +49 5231 14-0
 Fax: +49 5231 14-292083
 www.weidmueller.com

Technical data**Dimensions and weights**

Width	48 mm	Width (inches)	1.89 inch
Height	70 mm	Height (inches)	2.756 inch
Depth	0.5 mm	Depth (inches)	0.02 inch
Net weight	4.75 g		

General data

Colour	silver	Material	Chrome coated aluminium (AL)
Operating temperature range	-55...130 °C	Recommended industries	Energy, Process
Width	48 mm		

Device markers

Drill-hole diameter	3.3 mm
---------------------	--------

Classifications

ETIM 6.0	EC001288	ETIM 7.0	EC001288
eClass 9.0	27-40-06-29	eClass 9.1	27-40-06-29
eClass 10.0	27-40-06-29		

Approvals

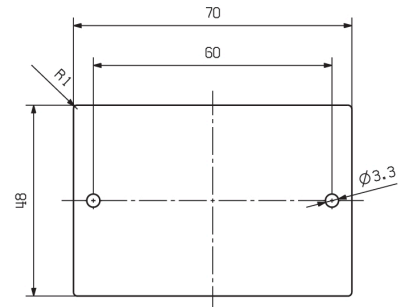
ROHS	Conform
------	---------

Downloads

Engineering Data	EPLAN, WSCAD
Engineering Data	STEP
Software	M-Print PRO configuration file

Data sheet**MetalliCard
CC-M 70/48 2X3 AL**

Weidmüller Interface GmbH & Co. KG
Klingenbergstraße 26
D-32758 Detmold
Germany
Fon: +49 5231 14-0
Fax: +49 5231 14-292083
www.weidmueller.com

Drawings**Example of use**

**MetalliCard
CC-M 70/48 2X3 AL**

Weidmüller Interface GmbH & Co. KG
Klingenbergstraße 26
D-32758 Detmold
Germany
Fon: +49 5231 14-0
Fax: +49 5231 14-292083
www.weidmueller.com

Accessories**MetalliCard****Flexible printing on plastic and metal markers**

The PrintJet ADVANCED is an inkjet printer which prints on plastic markers in MultiCard format and metal markers of the MetalliCard family. Thanks to its high loader capacity, it is ideal for printing large volumes in continuous operation. The precise colour printing and thermal fixing guarantee optimum print results for the durable identification of equipment. With these properties, the PrintJet ADVANCED brings efficiency to the operating process – whether operated with the M-Print® PRO software or as a stand-alone solution with preconfigured print templates.

Your benefits at a glance:

- Precise colour printing
- Serial printing of metal markers
- High level of automation thanks to loader capacity of 30 MultiCards
- Durable and robust markers thanks to thermal fixing
- User-friendly operation thanks to intuitive touch display
- Can be used as stand-alone solution

General ordering data

Type	PRIMER CC-M
Order No.	2068020000
GTIN (EAN)	4050118416534
Qty.	100 pc(s).

**MetalliCard
CC-M 70/48 2X3 AL**

Weidmüller Interface GmbH & Co. KG
Klingenbergstraße 26
D-32758 Detmold
Germany
Fon: +49 5231 14-0
Fax: +49 5231 14-292083
www.weidmueller.com

Accessories**Accessories**

MetalliCards are available in aluminium or stainless steel to meet a wide range of labelling requirements. The chrome-coated aluminium tags are the inexpensive alternative for a variety of applications, and in particular, they prove themselves through the deep contrasts of their multi-colour print.

In the technologically demanding chemical and process industries, you are on the safe side when using the stainless steel MetalliCard with its outstanding resistance characteristics. Its formats cover the needs of the entire system-identification spectrum. Whether small equipment or type plates, they ensure high-quality marking processes. The MetalliCard also offers optimum installation characteristics. MetalliCards can be used universally thanks to various fixation options: bonding, riveting, with tag holders or rails, or in combination with stainless steel cable ties.

For custom printing: Please send us a file of our labeling software M-Print PRO or M-Print PRO Online (without installation) for your labeling specifications.

General ordering data

Type	INLAY CC-M 70/48
Order No.	1415940000
GTIN (EAN)	4050118217247
Qty.	1 pc(s).