

BG GHDE LED TL M4 PT6**Weidmüller Interface GmbH & Co. KG**

Klingenbergstraße 26

D-32758 Detmold

Germany

Fon: +49 5231 14-0

Fax: +49 5231 14-292083

www.weidmueller.com

**FieldPower® LED TL**

Energy-efficient basic lighting with a long service life.

- Can be used as emergency lighting with a central supply according to EN 60598-2-22
- For harsh environmental conditions (shock and vibration, extended temperature range)
- Better energy efficiency and longer service life than fluorescent lamps
- Can be used around the world thanks to cULus approval and extended multi-voltage range
- High fire protection classification V0
- Minimal dazzle thanks to translucent cover

General ordering data

Type	BG GHDE LED TL M4 PT6
Order No.	1390870000
Version	FieldPower®; LED, IP65
GTIN (EAN)	4050118191059
Qty.	1 pc(s).

Creation date May 3, 2020 8:46:45 AM CEST

Catalogue status 17.04.2020 / We reserve the right to make technical changes.

BG GHDE LED TL M4 PT6**Weidmüller Interface GmbH & Co. KG**

Klingenbergstraße 26

D-32758 Detmold

Germany

Fon: +49 5231 14-0

Fax: +49 5231 14-292083

www.weidmueller.com

Technical data**Dimensions and weights**

Length	181 mm	Length (inches)	7.126 inch
Width	104 mm	Width (inches)	4.094 inch
Height	46 mm	Height (inches)	1.811 inch
Net weight	566 g		

Temperatures

Operating temperature, max.	60 °C	Operating temperature, min.	-40 °C
Storage temperature, max.	85 °C	Storage temperature, min.	-40 °C
Operating temperature	-40 °C...60 °C	Storage temperature	-40 °C...85 °C

Probability of failure

MTTF	50,000 h
------	----------

Environmental Product Compliance

REACH SVHC	Lead 7439-92-1, Potassium perfluorobutane sulfonate 29420-49-3
------------	--

General data

Amplitude of acceleration	5 m/s ² (@ 9-200 Hz)	Amplitude of deflection	1.5 mm (2-9 Hz)
Circuit breaker	< 10 A	Halogen	yes (PVC cable)
Height	≤ 3000 m	Insulation voltage	< 500 V (housing/PE)
Line type	Heluwind WK 103w-T 3G1,5 (AD 8 mm)	Mounting position, installation notice	Arbitrary
Peak acceleration, type L	70 m/s ²	Pollution severity	2
Protection class	II	Protection degree	IP65
Shock resistance EN 60721-3-3	Class 3M3	Short-circuit protection	internal
Silicone	No	Surge voltage category	II
Type of connection	Open cable end/length 2 m	UL 94 flammability rating	V-0
Vibration resistance EN 60721-3-3	Class 3M3, EN 60721-3-3		

EMC

Interference immunity test acc. to	Acc. to EN 61547	Interference radiation	acc. to EN 55015
------------------------------------	------------------	------------------------	------------------

Rated data acc. to IEC 60598-1

Input voltage	100...265 V DC + AC (45...65 Hz)	Inrush current	0.5 A @ 0.1 ms
Power loss	< 2 W	Power rating	7 W
Rated voltage	265		

Classifications

ETIM 6.0	EC001959	ETIM 7.0	EC001959
eClass 9.0	27-11-06-40	eClass 9.1	27-11-06-40
eClass 10.0	27-11-06-40		

Data sheet**BG GHDE LED TL M4 PT6**

Weidmüller Interface GmbH & Co. KG
Klingenbergstraße 26
D-32758 Detmold
Germany
Fon: +49 5231 14-0
Fax: +49 5231 14-292083
www.weidmueller.com

Technical data**Approvals**

Approvals



ROHS

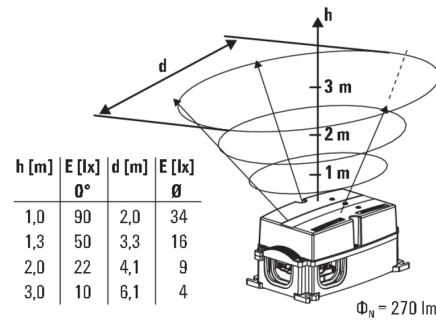
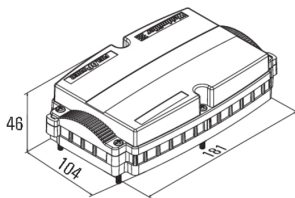
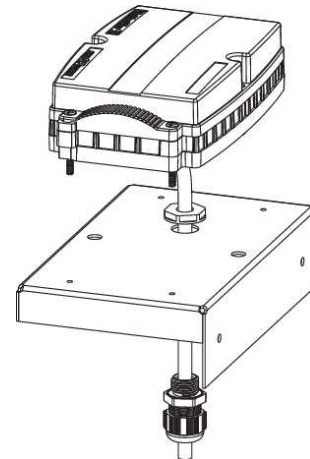
Conform

DownloadsApproval/Certificate/Document of
Conformity[FieldPower LED](#)

BG GHDE LED TL M4 PT6

Weidmüller Interface GmbH & Co. KG
 Klingenbergstraße 26
 D-32758 Detmold
 Germany
 Fon: +49 5231 14-0
 Fax: +49 5231 14-292083
 www.weidmueller.com

Drawings



BG GHDE LED TL M4 PT6

Weidmüller Interface GmbH & Co. KG

Klingenbergstraße 26

D-32758 Detmold

Germany

Fon: +49 5231 14-0

Fax: +49 5231 14-292083

www.weidmueller.com

Accessories

Plastic cable glands, IP 68

Screwed joints that comply with the high demands of class of protection IP 68



General ordering data

Type	VG M16 - K 68	Version
Order No.	1772290000	VG K (standard plastic cable gland), Cable glands, M 16, 10 mm, OD
GTIN (EAN)	4032248129959	min. 5 - OD max. 10 mm, IP54, IP66, IP67, IP68 - 5 bar (30 min.),
Qty.	50 pc(s).	Polyamide 6
Type	VG M16-1/K68	Version
Order No.	1909860000	VG K (standard plastic cable gland), Cable glands, M 16, 8 mm, OD
GTIN (EAN)	4032248536788	min. 4 - OD max. 8 mm, IP54, IP66, IP67, IP68 - 5 bar (30 min.),
Qty.	50 pc(s).	Polyamide 6

Plastic nuts, standard



Weidmüller has a variety of different cable and wire entry systems in the Portfolio: with different designs of plastic, brass and stainless steel cable glands in the IP66, 67, 68 or IP69k protection classes. As a complete alternative to cable glands, pre-assembled cables with modular multi-wire or multi-cable entry systems can be simply and quickly inserted into electrical equipment. Last but not least, Weidmüller offers EX-certified cable glands and cable/wire entry systems.

- Cable glands made from plastic and brass
- EMC screwed joints
- for areas at risk of explosion
- VDE, CSA and UL approvals

General ordering data

Type	SKMU M16 - K GR	Version
Order No.	1772450000	SKMU PA (plastic locknut), Locknut, M 16, 5 mm, Polyamid 6 (PA6 -
GTIN (EAN)	4032248130191	GF30)
Qty.	100 pc(s).	