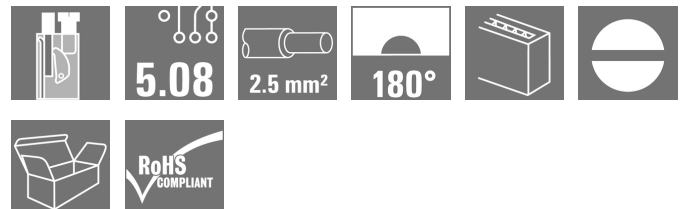


## OMNIMATE Signal - series BL/SL 5.08 SLT 5.08/03/180DF SN OR BX

**Weidmüller Interface GmbH & Co. KG**  
Klingenbergstraße 26  
D-32758 Detmold  
Germany  
Fon: +49 5231 14-0  
Fax: +49 5231 14-292083  
www.weidmueller.com

### Product image



Similar to illustration

Male plugs with screw TOP wire connection. The male plug provides space for labelling and can be coded.

### General ordering data

|              |  |
|--------------|--|
| Type         | SLT 5.08/03/180DF SN OR BX   |
| Order No.    | <a href="#">1353370000</a>   |
| Version      | PCB plug-in connector, male plug, 5.08 mm,<br>Number of poles: 3, 180°, TOP connection,<br>Clamping range, max. : 2.5 mm², Box |
| GTIN (EAN)   | 4050118155853  |
| Qty.         | 42 pc(s).  |
| Product data | IEC: 400 V / 16 A / 0.2 - 2.5 mm²<br>UL: 300 V / 15 A / AWG 26 - AWG 14  |
| Packaging    | Box  |

Creation date May 3, 2020 6:18:46 AM CEST

**OMNIMATE Signal - series BL/SL 5.08  
SLT 5.08/03/180DF SN OR BX**

**Weidmüller Interface GmbH & Co. KG**  
Klingenbergstraße 26  
D-32758 Detmold  
Germany  
Fon: +49 5231 14-0  
Fax: +49 5231 14-292083  
www.weidmueller.com

**Technical data****Dimensions and weights**

|            |          |                 |            |
|------------|----------|-----------------|------------|
| Height     | 12.2 mm  | Height (inches) | 0.48 inch  |
| Depth      | 34 mm    | Depth (inches)  | 1.339 inch |
| Net weight | 11.286 g |                 |            |

**System Parameters**

|  |  |                            |                  |
|--|--|----------------------------|------------------|
| Product family                               | OMNIMATE Signal - series BL/SL 5.08              | Type of connection         | Field connection |
| Wire connection method                       | TOP connection                                   | Pitch in mm (P)            | 5.08 mm          |
| Pitch in inches (P)                          | 0.2 inch   | Conductor outlet direction | 180°             |
| Number of poles                              | 3  | L1 in mm                   | 10.16 mm         |
| L1 in inches                                 | 0.4 inch   | Pin series quantity        | 1                |
| Touch-safe protection acc. to DIN VDE 57 106 | finger-safe plugged/ back-of-hand-safe unplugged | Volume resistance          | ≤ 5mΩ            |
| Can be coded                                 | Yes  | Stripping length           | 13 mm            |
| Tightening torque, min.                      | 0.4 Nm   | Tightening torque, max.    | 0.5 Nm           |
| Clamping screw                               | M 2.5  | Screwdriver blade          | 0.6 x 3.5        |
| Screwdriver blade standard                   | DIN 5264   | Plugging cycles            | 25               |
| Plugging force/pole, max.                    | 5.5 N  | Pulling force/pole, max.   | 5 N              |

**Material data**

|                                       |          |                                       |                          |
|---------------------------------------|----------|---------------------------------------|--------------------------|
| Insulating material                   | PBT      | Colour                                | orange                   |
| Colour chart (similar)                | RAL 2000 | Insulating material group             | IIIa                     |
| Comparative Tracking Index (CTI)      | ≥ 200    | Insulation strength                   | ≥ 10 <sup>8</sup> Ω      |
| UL 94 flammability rating             | V-0      | Contact material                      | CuSn                     |
| Contact surface                       | tinned   | Layer structure of plug contact       | 4-8 μm Sn hot-dip tinned |
| Storage temperature, min.             | -25 °C   | Storage temperature, max.             | 50 °C                    |
| Max. relative humidity during storage | 70 %     | Operating temperature, min.           | -50 °C                   |
| Operating temperature, max.           | 100 °C   | Temperature range, installation, min. | -25 °C                   |
| Temperature range, installation, max. | 100 °C   |                                       |                          |

**Conductors suitable for connection**

|   |                          |
|---|--------------------------|
| Clamping range, min.  | 0.13 mm <sup>2</sup>     |
| Clamping range, max.  | 2.5 mm <sup>2</sup>      |
| Wire connection cross section AWG, min.                             | AWG 26                   |
| Wire connection cross section AWG, max.                             | AWG 14                   |
| Solid, min. H05(07) V-U   | 0.2 mm <sup>2</sup>      |
| Solid, max. H05(07) V-U   | 2.5 mm <sup>2</sup>      |
| Flexible, min. H05(07) V-K  | 0.2 mm <sup>2</sup>      |
| Flexible, max. H05(07) V-K  | 1.5 mm <sup>2</sup>      |
| w. plastic collar ferrule, DIN 46228 pt 4, 0.2 mm <sup>2</sup> min. |                          |
| w. plastic collar ferrule, DIN 46228 pt 4, 1.5 mm <sup>2</sup> max. |                          |
| w. wire end ferrule, DIN 46228 pt 1, min.                           | 0.2 mm <sup>2</sup>      |
| w. wire end ferrule, DIN 46228 pt 1, max.                           | 1.5 mm <sup>2</sup>      |
| Plug gauge in accordance with EN 60999 a x b; ø                     | 2.4 mm x 1.5 mm ; 2.4 mm |

**OMNIMATE Signal - series BL/SL 5.08  
SLT 5.08/03/180DF SN OR BX**

**Weidmüller Interface GmbH & Co. KG**  
Klingenbergstraße 26  
D-32758 Detmold  
Germany  
Fon: +49 5231 14-0  
Fax: +49 5231 14-292083  
www.weidmueller.com

**Technical data**

|  |  |                              |                             |
|--|--|------------------------------|-----------------------------|
| Clampable conductor                    | Cross-section for conductor connection | Type                         | fine-wired                  |
|  |  | nominal                      | 0.5 mm <sup>2</sup>         |
| wire end ferrule                       |  | Stripping length             | nominal 14 mm               |
|  |  | Recommended wire-end ferrule | <a href="#">H0.5/18 OR</a>  |
| Cross-section for conductor connection | Type                                   | fine-wired                   |                             |
|  | nominal                                | 1 mm <sup>2</sup>            |                             |
| wire end ferrule                       |  | Stripping length             | nominal 15 mm               |
|  |  | Recommended wire-end ferrule | <a href="#">H1.0/18 GE</a>  |
| Cross-section for conductor connection | Type                                   | fine-wired                   |                             |
|  | nominal                                | 1.5 mm <sup>2</sup>          |                             |
| wire end ferrule                       |  | Stripping length             | nominal 15 mm               |
|  |  | Recommended wire-end ferrule | <a href="#">H1.5/18D SW</a> |
| Cross-section for conductor connection | Type                                   | fine-wired                   |                             |
|  | nominal                                | 0.75 mm <sup>2</sup>         |                             |
| wire end ferrule                       |  | Stripping length             | nominal 14 mm               |
|  |  | Recommended wire-end ferrule | <a href="#">H0.75/18 W</a>  |

Reference text The outside diameter of the plastic collar should not be larger than the pitch (P), Length of ferrules is to be chosen depending on the product and the rated voltage.

Max. clamping range 2.5 mm<sup>2</sup>

**Rated data acc. to IEC**

|   |                        |   |                   |
|---|------------------------|---|-------------------|
| tested acc. to standard   | IEC 60664-1, IEC 61984 | Rated current, min. number of poles (Tu=20°C)                         | 16 A              |
| Rated current, max. number of poles (Tu=20°C)                             | 12.5 A                 | Rated current, min. number of poles (Tu=40°C)                         | 13 A              |
| Rated current, max. number of poles (Tu=40°C)                             | 11 A                   | Rated voltage for surge voltage class / pollution degree II/2         | 400 V             |
| Rated voltage for surge voltage class / pollution degree III/2            | 400 V                  | Rated voltage for surge voltage class / pollution degree III/3        | 250 V             |
| Rated impulse voltage for surge voltage class/ pollution degree II/2      | 4 kV                   | Rated impulse voltage for surge voltage class/ pollution degree III/2 | 4 kV              |
| Rated impulse voltage for surge voltage class/ contamination degree III/3 | 4 kV                   | Short-time withstand current resistance                               | 3 x 1s with 120 A |

**Rated data acc. to CSA**

|                                   |        |                                   |        |
|-----------------------------------|--------|-----------------------------------|--------|
| Rated voltage (Use group B / CSA) | 300 V  | Rated voltage (Use group D / CSA) | 300 V  |
| Rated current (Use group B / CSA) | 10 A   | Rated current (Use group D / CSA) | 10 A   |
| Wire cross-section, AWG, min.     | AWG 26 | Wire cross-section, AWG, max.     | AWG 14 |


**Data sheet**

**OMNIMATE Signal - series BL/SL 5.08  
SLT 5.08/03/180DF SN OR BX**

**Weidmüller Interface GmbH & Co. KG**  
Klingenbergstraße 26  
D-32758 Detmold  
Germany  
Fon: +49 5231 14-0  
Fax: +49 5231 14-292083  
www.weidmueller.com

**Technical data**

**Rated data acc. to UL 1059**

|                                       |   |                                       |        |
|---------------------------------------|---|---------------------------------------|--------|
| Institute (UR)                        |  | Certificate No. (UR)                  | E60693 |
| Rated voltage (Use group B / UL 1059) | 300 V   | Rated voltage (Use group D / UL 1059) | 300 V  |
| Rated current (Use group B / UL 1059) | 15 A  | Rated current (Use group D / UL 1059) | 10 A   |
| Wire cross-section, AWG, min.         | AWG 26  | Wire cross-section, AWG, max.         | AWG 14 |
| Reference to approval values          | Specifications are maximum values, details - see approval certificate.            |                                       |        |

**Packing**

|           |        |            |        |
|-----------|--------|------------|--------|
| Packaging | Box    | VPE length | 30 mm  |
| VPE width | 135 mm | VPE height | 350 mm |

**Classifications**

|             |             |            |             |
|-------------|-------------|------------|-------------|
| ETIM 6.0    | EC002638    | ETIM 7.0   | EC002638    |
| eClass 9.0  | 27-44-03-09 | eClass 9.1 | 27-44-03-09 |
| eClass 10.0 | 27-44-03-09 |            |             |

**Notes**

|       |  |
|-------|--|
| Notes | <ul style="list-style-type: none"> <li>• Additional colours on request</li> <li>• Rated current related to rated cross-section &amp; min. No. of poles.</li> <li>• Wire end ferrule without plastic collar to DIN 46228/1</li> <li>• Wire end ferrule with plastic collar to DIN 46228/4</li> <li>• Crimp form A for wire end ferrules with PZ1.5 or PZ 6/5 crimping tool are recommended for the largest cable sizes.</li> <li>• P on drawing = pitch</li> <li>• Rated data refer only to the component itself. Clearance and creepage distances to other components are to be designed in accordance with the relevant application standards.</li> </ul> |
|-------|--|

|                |  |
|----------------|--|
| IPC conformity | Conformity: The products are developed, manufactured and delivered according international recognized standards and norms and comply with the assured properties in the data sheet resp. fulfill decorative properties in accordance with IPC-A-610 "Class 2". Further claims on the products can be evaluated on request. |
|----------------|--|

**Approvals**

|           |   |
|-----------|---|
| Approvals |  |
| ROHS      | Conform   |

**Data sheet****OMNIMATE Signal - series BL/SL 5.08  
SLT 5.08/03/180DF SN OR BX**

**Weidmüller Interface GmbH & Co. KG**  
Klingenbergstraße 26  
D-32758 Detmold  
Germany  
Fon: +49 5231 14-0  
Fax: +49 5231 14-292083  
www.weidmueller.com

**Technical data****Downloads**

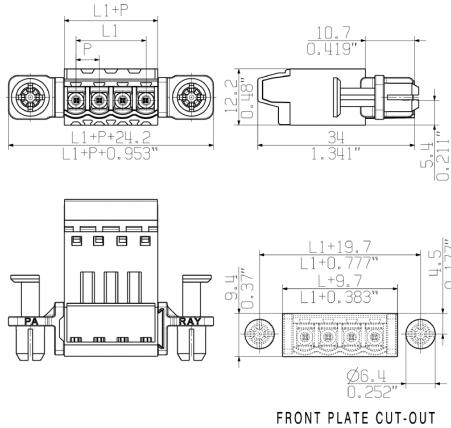
|   |  |
|---|--|
| Approval/Certificate/Document of Conformity | <a href="#">Declaration of the Manufacturer</a>  |
| Brochure/Catalogue                          | <a href="#">FL DRIVES EN</a><br><a href="#">MB DEVICE MANUF. EN</a><br><a href="#">FL DRIVES DE</a><br><a href="#">CAT 2 PORTFOLIOGUIDE EN</a><br><a href="#">FL BUILDING SAFETY EN</a><br><a href="#">FL APPL LED LIGHTING EN</a><br><a href="#">FLIndustr.CONTROLS EN</a><br><a href="#">FL MACHINE SAFETY EN</a><br><a href="#">FL HEATING ELECTR EN</a><br><a href="#">FL APPL INVERTER EN</a><br><a href="#">FL BASE STATION EN</a><br><a href="#">FL ELEVATOR EN</a><br><a href="#">FL POWER SUPPLY EN</a><br><a href="#">FL 72H SAMPLE SER EN</a><br><a href="#">PO OMNIMATE EN</a> |
| Engineering Data                            | <a href="#">STEP</a>   |

**OMNIMATE Signal - series BL/SL 5.08  
SLT 5.08/03/180DF SN OR BX**

**Weidmüller Interface GmbH & Co. KG**  
Klingenbergstraße 26  
D-32758 Detmold  
Germany  
Fon: +49 5231 14-0  
Fax: +49 5231 14-292083  
www.weidmueller.com

**Drawings**

**Dimensional drawing**

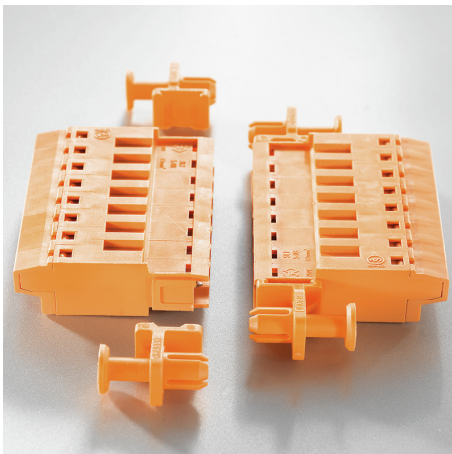


**Product benefits**



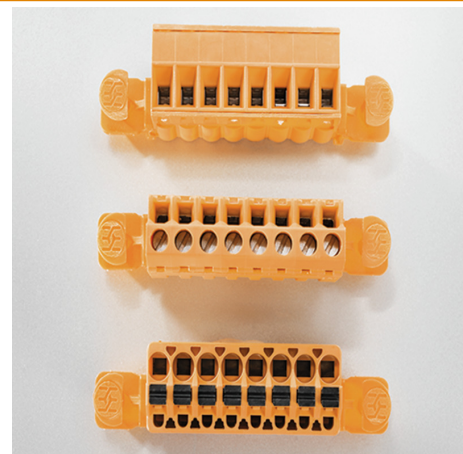
Lower assembly costs

**Product benefits**



Already mounted on the connector  
Or as separate accessory

**Product benefits**



Secure in a matter of seconds

Flexible application options  
For 3 connection systems

**OMNIMATE Signal - series BL/SL 5.08  
SLT 5.08/03/180DF SN OR BX**

**Weidmüller Interface GmbH & Co. KG**  
Klingenbergstraße 26  
D-32758 Detmold  
Germany  
Fon: +49 5231 14-0  
Fax: +49 5231 14-292083  
www.weidmueller.com

**Mating connector (fully pluggable)**
**BLZP 5.08HC/225 SN**


Clamping-yoke connection with right-angled (90° or 270°) or angled (225°) outlet direction. The female connectors provide space for labelling and can be coded. Fastened by means of a flange or release latch. They also provide an integrated plus/minus screw, protection against faulty insertion of the wire, and they are delivered with open clamping yokes. HC = High Current.

**General ordering data**

| Type       | BLZP 5.08HC/03/225 SN O ... | Version  | Product data                                  | Packaging |
|------------|-----------------------------|--|---|-----------|
| Order No.  | <a href="#">1946260000</a>  | PCB plug-in connector, female plug, 5.08 mm, Number of poles: 3,               | IEC: 400 V / 17.5 A / 0.2 - 4 mm <sup>2</sup> | Box       |
| GTIN (EAN) | 4032248621835               | 225°, Clamping yoke connection, Clamping range, max. : 4 mm <sup>2</sup> , Box | UL: 300 V / 15 A / AWG 26 - AWG 12            |           |
| Qty.       | 120 pc(s).                  |  |   |           |
| Type       | BLZP 5.08HC/03/225 SN B ... | Version  | Product data                                  | Packaging |
| Order No.  | <a href="#">1946570000</a>  | PCB plug-in connector, female plug, 5.08 mm, Number of poles: 3,               | IEC: 400 V / 17.5 A / 0.2 - 4 mm <sup>2</sup> | Box       |
| GTIN (EAN) | 4032248622344               | 225°, Clamping yoke connection, Clamping range, max. : 4 mm <sup>2</sup> , Box | UL: 300 V / 15 A / AWG 26 - AWG 12            |           |
| Qty.       | 120 pc(s).                  |  |   |           |

**BLZP 5.08HC/270 SN**


Female plugs with clamping-yoke connection for connecting wires with a right-angle (90° or 270°) outlet direction. The female connectors provide space for labelling and can be coded. Fastened by means of a flange or release latch. They also provide an integrated plus/minus screw, protection against faulty insertion of the wire, and they are delivered with open clamping yokes. HC = High Current.

**General ordering data**

| Type       | BLZP 5.08HC/03/270 SN B ... | Version  | Product data                                | Packaging |
|------------|-----------------------------|--|---|-----------|
| Order No.  | <a href="#">1949030000</a>  | PCB plug-in connector, female plug, 5.08 mm, Number of poles: 3,               | IEC: 400 V / 23 A / 0.2 - 4 mm <sup>2</sup> | Box       |
| GTIN (EAN) | 4032248626489               | 270°, Clamping yoke connection, Clamping range, max. : 4 mm <sup>2</sup> , Box | UL: 300 V / 20 A / AWG 26 - AWG 12          |           |
| Qty.       | 120 pc(s).                  |  |   |           |
| Type       | BLZP 5.08HC/03/270 SN O ... | Version  | Product data                                | Packaging |
| Order No.  | <a href="#">1948800000</a>  | PCB plug-in connector, female plug, 5.08 mm, Number of poles: 3,               | IEC: 400 V / 23 A / 0.2 - 4 mm <sup>2</sup> | Box       |
| GTIN (EAN) | 4032248626250               | 270°, Clamping yoke connection, Clamping range, max. : 4 mm <sup>2</sup> , Box | UL: 300 V / 20 A / AWG 26 - AWG 12          |           |
| Qty.       | 120 pc(s).                  |  |   |           |

**OMNIMATE Signal - series BL/SL 5.08  
SLT 5.08/03/180DF SN OR BX**

**Weidmüller Interface GmbH & Co. KG**  
Klingenbergstraße 26  
D-32758 Detmold  
Germany  
Fon: +49 5231 14-0  
Fax: +49 5231 14-292083  
www.weidmuller.com

**Mating connector (fully pluggable)****BLZP 5.08HC/180 SN**

Female plug with clamping-yoke screw system for connecting wires with straight (180°) outlet direction. The female connectors provide space for labelling and can be coded. Fastened by means of a flange or release latch. They also provide an integrated plus/minus screw, protection against faulty insertion of the wire, and they are delivered with open clamping yokes. HC = High Current.

**General ordering data**

| Type       | BLZP 5.08HC/03/180 SN B ... | Version   | Product data                                | Packaging |
|------------|-----------------------------|---|---|-----------|
| Order No.  | <a href="#">1943820000</a>  | PCB plug-in connector, female plug, 5.08 mm, Number of poles: 3,              | IEC: 400 V / 23 A / 0.2 - 4 mm <sup>2</sup> | Box       |
| GTIN (EAN) | 4032248617845               | 180°, Clamping yoke connection, Clamping range, max.: 4 mm <sup>2</sup> , Box | UL: 300 V / 20 A / AWG 26 - AWG 12          |           |
| Qty.       | 120 pc(s).                  |   |   |           |
| Type       | BLZP 5.08HC/03/180 SN O ... | Version   | Product data                                | Packaging |
| Order No.  | <a href="#">1943590000</a>  | PCB plug-in connector, female plug, 5.08 mm, Number of poles: 3,              | IEC: 400 V / 23 A / 0.2 - 4 mm <sup>2</sup> | Box       |
| GTIN (EAN) | 4032248617579               | 180°, Clamping yoke connection, Clamping range, max.: 4 mm <sup>2</sup> , Box | UL: 300 V / 20 A / AWG 26 - AWG 12          |           |
| Qty.       | 120 pc(s).                  |   |   |           |

**BLF 5.08HC/180 SN**

Just as reliable as the millionfold proven original and featuring innovative details:  
The BLF 5.08HC PUSH IN version of the BLZP 5.08HC female connector is not only different in terms of connection system; it also has a more compact design. Weidmüller's innovative PUSH IN spring connection system stands for the future of easy and tool-free wire connection. HC = High Current.  
In terms of versatility, the BLF 5.08HC offers just as much as the version which served as a model:

- 3 tested-and-proven wire outlet directions provide the usual flexibility for application-specific design
- 4 flange variations and the patented release latch allow the locking concept to be based on the requirements of the user
- Use the BLF 5.08HC and SL 5.08HC plug combination to reach the max. rated specifications

**General ordering data**

| Type       | BLF 5.08HC/03/180 SN BK ... | Version  | Product data                                  | Packaging |
|------------|-----------------------------|--|---|-----------|
| Order No.  | <a href="#">1013440000</a>  | PCB plug-in connector, female plug, 5.08 mm, Number of poles: 3,                   | IEC: 400 V / 24 A / 0.2 - 2.5 mm <sup>2</sup> | Box       |
| GTIN (EAN) | 4032248721597               | 180°, PUSH IN, Spring connection, Clamping range, max.: 3.31 mm <sup>2</sup> , Box | UL: 300 V / 18.5 A / AWG 26 - AWG 12          |           |
| Qty.       | 120 pc(s).                  |  |   |           |
| Type       | BLF 5.08HC/03/180 SN OR ... | Version  | Product data                                  | Packaging |
| Order No.  | <a href="#">1013690000</a>  | PCB plug-in connector, female plug, 5.08 mm, Number of poles: 3,                   | IEC: 400 V / 24 A / 0.2 - 2.5 mm <sup>2</sup> | Box       |
| GTIN (EAN) | 4032248853380               | 180°, PUSH IN, Spring connection, Clamping range, max.: 3.31 mm <sup>2</sup> , Box | UL: 300 V / 18.5 A / AWG 26 - AWG 12          |           |
| Qty.       | 120 pc(s).                  |  |   |           |



**OMNIMATE Signal - series BL/SL 5.08  
SLT 5.08/03/180DF SN OR BX**

**Weidmüller Interface GmbH & Co. KG**  
Klingenbergstraße 26  
D-32758 Detmold  
Germany  
Fon: +49 5231 14-0  
Fax: +49 5231 14-292083  
www.weidmueller.com

**Mating connector (fully pluggable)**
**BLZP 5.08HC/90 SN**


Female plugs with clamping-yoke connection for connecting wires with a right-angle (90° or 270°) outlet direction. The female connectors provide space for labelling and can be coded. Fastened by means of a flange or release latch. They also provide an integrated plus/minus screw, protection against faulty insertion of the wire, and they are delivered with open clamping yokes. HC = High Current.

**General ordering data**

| Type       | BLZP 5.08HC/03/90 SN OR ... | Version   | Product data                                | Packaging |
|------------|-----------------------------|---|---|-----------|
| Order No.  | <a href="#">1948010000</a>  | PCB plug-in connector, female plug, 5.08 mm, Number of poles: 3,              | IEC: 400 V / 23 A / 0.2 - 4 mm <sup>2</sup> | Box       |
| GTIN (EAN) | 4032248624232               | 90°, Clamping yoke connection, Clamping range, max. : 4 mm <sup>2</sup> , Box | UL: 300 V / 20 A / AWG 26 - AWG 12          |           |
| Qty.       | 120 pc(s).                  |   |   |           |
| Type       | BLZP 5.08HC/03/90 SN BK ... | Version   | Product data                                | Packaging |
| Order No.  | <a href="#">1948250000</a>  | PCB plug-in connector, female plug, 5.08 mm, Number of poles: 3,              | IEC: 400 V / 23 A / 0.2 - 4 mm <sup>2</sup> | Box       |
| GTIN (EAN) | 4032248624775               | 90°, Clamping yoke connection, Clamping range, max. : 4 mm <sup>2</sup> , Box | UL: 300 V / 20 A / AWG 26 - AWG 12          |           |
| Qty.       | 120 pc(s).                  |   |   |           |

**BLC 5.08R**


Female plugs with crimp wire connection system. The female plugs provide space for labelling and can be coded.

**General ordering data**

| Type       | BLC 5.08/03/180R OR BX     | Version  | Product data                       | Packaging |
|------------|----------------------------|--|------------------------------------|-----------|
| Order No.  | <a href="#">1610500000</a> | PCB plug-in connector, female plug, 5.08 mm, Number of poles: 3,         | IEC: 400 V / 21 A                  | Box       |
| GTIN (EAN) | 4008190004293              | 180°, Crimp connection, Clamping range, max. : 2.5 mm <sup>2</sup> , Box | UL: 300 V / 10 A / AWG 26 - AWG 14 |           |
| Qty.       | 100 pc(s).                 |  |                                    |           |
| Type       | BLC 5.08/03/180R BK BX     | Version  | Product data                       | Packaging |
| Order No.  | <a href="#">1711970000</a> | PCB plug-in connector, female plug, 5.08 mm, Number of poles: 3,         | IEC: 400 V / 21 A                  | Box       |
| GTIN (EAN) | 4008190934989              | 180°, Crimp connection, Clamping range, max. : 2.5 mm <sup>2</sup> , Box | UL: 300 V / 10 A / AWG 26 - AWG 14 |           |
| Qty.       | 100 pc(s).                 |  |                                    |           |

**OMNIMATE Signal - series BL/SL 5.08  
SLT 5.08/03/180DF SN OR BX**

**Weidmüller Interface GmbH & Co. KG**  
Klingenbergstraße 26  
D-32758 Detmold  
Germany  
Fon: +49 5231 14-0  
Fax: +49 5231 14-292083  
www.weidmueller.com

**Mating connector (fully pluggable)**
**BLF 5.08HC/90 SN**


Just as reliable as the millionfold proven original and featuring innovative details:

The BLF 5.08HC PUSH IN version of the BLZP 5.08HC female connector is not only different in terms of connection system; it also has a more compact design. Weidmüller's innovative PUSH IN spring connection system stands for the future of easy and tool-free wire connection. HC = High Current.

In terms of versatility, the BLF 5.08HC offers just as much as the version which served as a model:

- 3 tested-and-proven wire outlet directions provide the usual flexibility for application-specific design
- 4 flange variations and the patented release latch allow the locking concept to be based on the requirements of the user
- Use the BLF 5.08HC and SL 5.08HC plug combination to reach the max. rated specifications

**General ordering data**

| Type       | BLF 5.08HC/03/90 SN BK ... | Version  | Product data                                  | Packaging |
|------------|----------------------------|--|---|-----------|
| Order No.  | <a href="#">1000040001</a> | PCB plug-in connector, female plug, 5.08 mm, Number of poles: 3,               | IEC: 400 V / 24 A / 0.2 - 2.5 mm <sup>2</sup> | Box       |
| GTIN (EAN) | 4032248689972              | 90°, PUSH IN, Spring connection, Clamping range, max. : 3.31 mm <sup>2</sup> , | UL: 300 V / 18.5 A / AWG 26 - AWG             |           |
| Qty.       | 120 pc(s).                 | Box  | 12  |           |
| Type       | BLF 5.08HC/03/90 SN OR ... | Version  | Product data                                  | Packaging |
| Order No.  | <a href="#">1001540000</a> | PCB plug-in connector, female plug, 5.08 mm, Number of poles: 3,               | IEC: 400 V / 24 A / 0.2 - 2.5 mm <sup>2</sup> | Box       |
| GTIN (EAN) | 4032248693344              | 90°, PUSH IN, Spring connection, Clamping range, max. : 3.31 mm <sup>2</sup> , | UL: 300 V / 18.5 A / AWG 26 - AWG             |           |
| Qty.       | 120 pc(s).                 | Box  | 12  |           |

**BLDT 5.08**


Female plugs with two clamping-yoke screw connections per pole for wire connections with 90° and 270° outlet directions. The female plugs provide space for labelling and can be coded.

**General ordering data**

| Type       | BLDT 5.08/03/- SN OR BX    | Version   | Product data                                  | Packaging |
|------------|----------------------------|---|---|-----------|
| Order No.  | <a href="#">1644740000</a> | PCB plug-in connector, female plug, 5.08 mm, Number of poles: 3,              | IEC: 400 V / 14 A / 0.2 - 2.5 mm <sup>2</sup> | Box       |
| GTIN (EAN) | 4008190283957              | 180°, Clamping yoke connection, Clamping range, max. : 3.31 mm <sup>2</sup> , | UL: 300 V / 10 A / AWG 26 - AWG 12            |           |
| Qty.       | 100 pc(s).                 | Box   |   |           |
| Type       | BLDT 5.08/03/- SN BK BX    | Version   | Product data                                  | Packaging |
| Order No.  | <a href="#">1660720000</a> | PCB plug-in connector, female plug, 5.08 mm, Number of poles: 3,              | IEC: 400 V / 14 A / 0.2 - 2.5 mm <sup>2</sup> | Box       |
| GTIN (EAN) | 4008190417178              | 180°, Clamping yoke connection, Clamping range, max. : 3.31 mm <sup>2</sup> , | UL: 300 V / 10 A / AWG 26 - AWG 12            |           |
| Qty.       | 100 pc(s).                 | Box   |   |           |

**OMNIMATE Signal - series BL/SL 5.08  
SLT 5.08/03/180DF SN OR BX**

**Weidmüller Interface GmbH & Co. KG**  
 Klingenbergstraße 26  
 D-32758 Detmold  
 Germany  
 Fon: +49 5231 14-0  
 Fax: +49 5231 14-292083  
 www.weidmueller.com

**Mating connector (fully pluggable)****BLF 5.08HC/270 SN**

Just as reliable as the millionfold proven original and featuring innovative details:

The BLF 5.08HC PUSH IN version of the BLZP 5.08HC female connector is not only different in terms of connection system; it also has a more compact design. Weidmüller's innovative PUSH IN spring connection system stands for the future of easy and tool-free wire connection. HC = High Current.

In terms of versatility, the BLF 5.08HC offers just as much as the version which served as a model:

- 3 tested-and-proven wire outlet directions provide the usual flexibility for application-specific design
- 4 flange variations and the patented release latch allow the locking concept to be based on the requirements of the user
- Use the BLF 5.08HC and SL 5.08HC plug combination to reach the max. rated specifications

**General ordering data**

| Type       | BLF 5.08HC/03/270 SN BK ... | Version   | Product data                                  | Packaging |
|------------|-----------------------------|---|---|-----------|
| Order No.  | <a href="#">1981940000</a>  | PCB plug-in connector, female plug, 5.08 mm, Number of poles: 3,  | IEC: 400 V / 24 A / 0.2 - 2.5 mm <sup>2</sup> | Box       |
| GTIN (EAN) | 4032248684632               | 270°, PUSH IN, Spring connection, Clamping range, max. : 3.31 mm <sup>2</sup> , UL: 300 V / 18.5 A / AWG 26 - AWG |   |           |
| Qty.       | 120 pc(s).                  | Box   | 12  |           |
| Type       | BLF 5.08HC/03/270 SN OR ... | Version   | Product data                                  | Packaging |
| Order No.  | <a href="#">1982710000</a>  | PCB plug-in connector, female plug, 5.08 mm, Number of poles: 3,  | IEC: 400 V / 24 A / 0.2 - 2.5 mm <sup>2</sup> | Box       |
| GTIN (EAN) | 4032248686803               | 270°, PUSH IN, Spring connection, Clamping range, max. : 3.31 mm <sup>2</sup> , UL: 300 V / 18.5 A / AWG 26 - AWG |   |           |
| Qty.       | 120 pc(s).                  | Box   | 12  |           |

**BLZP 5.08HC/225B SN**

Clamping-yoke connection with right-angled (90° or 270°) or angled (225°) outlet direction. The female connectors provide space for labelling and can be coded. Fastened by means of a flange or release latch. They also provide an integrated plus/minus screw, protection against faulty insertion of the wire, and they are delivered with open clamping yokes. HC = High Current.

**General ordering data**

| Type       | BLZP 5.08HC/03/225B SN ... | Version  | Product data                                  | Packaging |
|------------|----------------------------|--|---|-----------|
| Order No.  | <a href="#">1945990000</a> | PCB plug-in connector, female plug, 5.08 mm, Number of poles: 3,               | IEC: 400 V / 17.5 A / 0.2 - 4 mm <sup>2</sup> | Box       |
| GTIN (EAN) | 4032248621514              | 225°, Clamping yoke connection, Clamping range, max. : 4 mm <sup>2</sup> , Box | UL: 300 V / 15 A / AWG 26 - AWG 12            |           |
| Qty.       | 108 pc(s).                 |  |   |           |
| Type       | BLZP 5.08HC/03/225B SN ... | Version  | Product data                                  | Packaging |
| Order No.  | <a href="#">1945760000</a> | PCB plug-in connector, female plug, 5.08 mm, Number of poles: 3,               | IEC: 400 V / 17.5 A / 0.2 - 4 mm <sup>2</sup> | Box       |
| GTIN (EAN) | 4032248621231              | 225°, Clamping yoke connection, Clamping range, max. : 4 mm <sup>2</sup> , Box | UL: 300 V / 15 A / AWG 26 - AWG 12            |           |
| Qty.       | 108 pc(s).                 |  |   |           |

**OMNIMATE Signal - series BL/SL 5.08  
SLT 5.08/03/180DF SN OR BX**

**Weidmüller Interface GmbH & Co. KG**  
Klingenbergstraße 26  
D-32758 Detmold  
Germany  
Fon: +49 5231 14-0  
Fax: +49 5231 14-292083  
www.weidmueller.com

**Mating connector (fully pluggable)**
**BLL 5.08/180**


Female header for PCB mounting. The solder pin length is optimised for wave flow soldering.

**General ordering data**

| Type       | BLL 5.08/03/180 3.2 SN ... | Version   | Product data      | Packaging |
|------------|----------------------------|---|-------------------|-----------|
| Order No.  | <a href="#">1630720000</a> | PCB plug-in connector, female header, closed side, THT solder         | IEC: 400 V / 23 A | Box       |
| GTIN (EAN) | 4008190204143              | connection, 5.08 mm, Number of poles: 3, 180°, Solder pin length (l): | UL: 300 V / 15 A  |           |
| Qty.       | 120 pc(s).                 | 3.2 mm, tinned, orange, Box   |                   |           |

**BLL 5.08/90**


Female header for PCB mounting. The solder pin length is optimised for wave flow soldering.

**General ordering data**

| Type       | BLL 5.08/03/90 3.2 SN O ... | Version  | Product data      | Packaging |
|------------|-----------------------------|--|-------------------|-----------|
| Order No.  | <a href="#">1622950000</a>  | PCB plug-in connector, female header, closed side, THT solder        | IEC: 400 V / 23 A | Box       |
| GTIN (EAN) | 4008190194031               | connection, 5.08 mm, Number of poles: 3, 90°, Solder pin length (l): | UL: 300 V / 15 A  |           |
| Qty.       | 120 pc(s).                  | 3.2 mm, tinned, orange, Box  |                   |           |

**OMNIMATE Signal - series BL/SL 5.08  
SLT 5.08/03/180DF SN OR BX**

**Weidmüller Interface GmbH & Co. KG**  
Klingenbergstraße 26  
D-32758 Detmold  
Germany  
Fon: +49 5231 14-0  
Fax: +49 5231 14-292083  
www.weidmueller.com

**Mating connector (fully pluggable)**
**BLDT 5.08B**


Female plugs with two clamping-yoke screw connections per pole for wire connections with 90° and 270° outlet directions. The female plugs provide space for labelling and can be coded.

**General ordering data**

| Type       | BLDT 5.08/03/-B SN OR BX   | Version   | Product data                                  | Packaging |
|------------|----------------------------|---|---|-----------|
| Order No.  | <a href="#">1651750000</a> | PCB plug-in connector, female plug, 5.08 mm, Number of poles: 3,              | IEC: 400 V / 14 A / 0.2 - 2.5 mm <sup>2</sup> | Box       |
| GTIN (EAN) | 4008190400439              | 180°, Clamping yoke connection, Clamping range, max. : 3.31 mm <sup>2</sup> , | UL: 300 V / 10 A / AWG 26 - AWG 12            |           |
| Qty.       | 90 pc(s).                  | Box   |   |           |
| Type       | BLDT 5.08/03/-B SN BK BX   | Version   | Product data                                  | Packaging |
| Order No.  | <a href="#">1673790000</a> | PCB plug-in connector, female plug, 5.08 mm, Number of poles: 3,              | IEC: 400 V / 14 A / 0.2 - 2.5 mm <sup>2</sup> | Box       |
| GTIN (EAN) | 4008190435516              | 180°, Clamping yoke connection, Clamping range, max. : 3.31 mm <sup>2</sup> , | UL: 300 V / 10 A / AWG 26 - AWG 12            |           |
| Qty.       | 100 pc(s).                 | Box   |   |           |

**BLDF 5.08/180 SN**

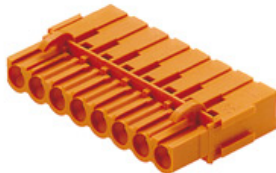

The powerful daisy-chain solution for high-performance signal bus applications is also suitable for 400V auxiliary power chains with 18.5A current-carrying capacity. The large clamping capacity (up to 2.5mm<sup>2</sup> wire cross-sections) is particularly beneficial for long bus cables or high currents because of the low voltage drop. Four flange variations, including the patented release latch, allow for user-friendly unplugging designs.

**General ordering data**

| Type       | BLDF 5.08/03/180 SN BK ... | Version   | Product data                                    | Packaging |
|------------|----------------------------|---|---|-----------|
| Order No.  | <a href="#">1000870000</a> | PCB plug-in connector, female plug, 5.08 mm, Number of poles: 3,                | IEC: 400 V / 20.8 A / 0.2 - 2.5 mm <sup>2</sup> | Box       |
| GTIN (EAN) | 4032248817276              | 180°, PUSH IN, Spring connection, Clamping range, max. : 3.31 mm <sup>2</sup> , | UL: 300 V / 18.5 A / AWG 12 - AWG               |           |
| Qty.       | 80 pc(s).                  | Box   | 26  |           |
| Type       | BLDF 5.08/03/180 SN OR ... | Version   | Product data                                    | Packaging |
| Order No.  | <a href="#">1001160000</a> | PCB plug-in connector, female plug, 5.08 mm, Number of poles: 3,                | IEC: 400 V / 20.8 A / 0.2 - 2.5 mm <sup>2</sup> | Box       |
| GTIN (EAN) | 4032248817726              | 180°, PUSH IN, Spring connection, Clamping range, max. : 3.31 mm <sup>2</sup> , | UL: 300 V / 18.5 A / AWG 12 - AWG               |           |
| Qty.       | 80 pc(s).                  | Box   | 26  |           |

**OMNIMATE Signal - series BL/SL 5.08  
SLT 5.08/03/180DF SN OR BX**

**Weidmüller Interface GmbH & Co. KG**  
Klingenbergstraße 26  
D-32758 Detmold  
Germany  
Fon: +49 5231 14-0  
Fax: +49 5231 14-292083  
www.weidmueller.com

**Mating connector (fully pluggable)**
**BLC 5.08BR**


Female plugs with crimp wire connection system. The female plugs provide space for labelling and can be coded.

**General ordering data**

| Type       | BLC 5.08/03/180BR BK BX    | Version  | Product data                       | Packaging |
|------------|----------------------------|--|------------------------------------|-----------|
| Order No.  | <a href="#">1712120000</a> | PCB plug-in connector, female plug, 5.08 mm, Number of poles: 3,         | IEC: 400 V / 21 A                  | Box       |
| GTIN (EAN) | 4008190935139              | 180°, Crimp connection, Clamping range, max. : 2.5 mm <sup>2</sup> , Box | UL: 300 V / 10 A / AWG 26 - AWG 14 |           |
| Qty.       | 100 pc(s).                 |  |                                    |           |
| Type       | BLC 5.08/03/180BR OR BX    | Version  | Product data                       | Packaging |
| Order No.  | <a href="#">1649380000</a> | PCB plug-in connector, female plug, 5.08 mm, Number of poles: 3,         | IEC: 400 V / 21 A                  | Box       |
| GTIN (EAN) | 4008190294489              | 180°, Crimp connection, Clamping range, max. : 2.5 mm <sup>2</sup> , Box | UL: 300 V / 10 A / AWG 26 - AWG 14 |           |
| Qty.       | 100 pc(s).                 |  |                                    |           |

**BLL 5.08/180B**


Female header for PCB mounting. The solder pin length is optimised for wave flow soldering.

**General ordering data**

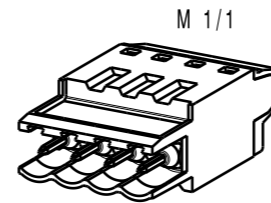
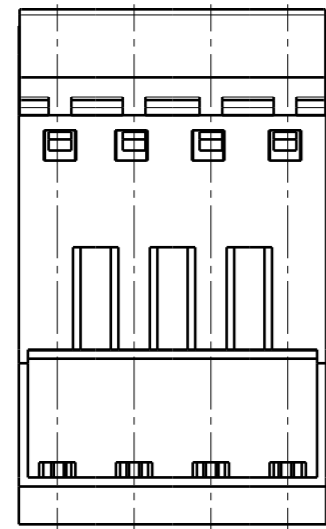
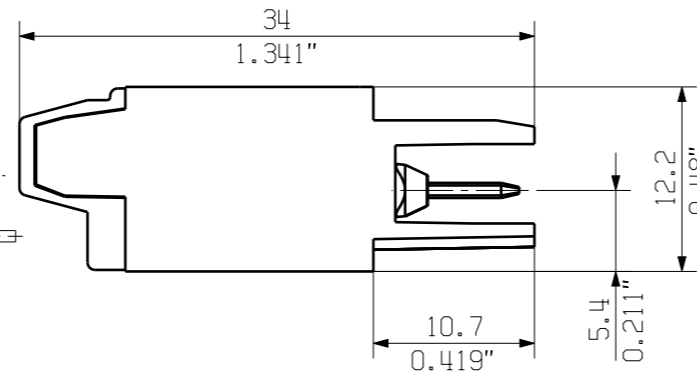
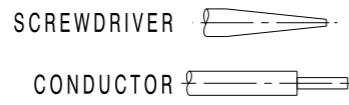
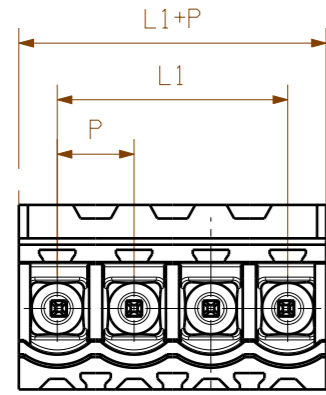
| Type       | BLL 5.08/03/180B 3.2SN ... | Version  | Product data      | Packaging |
|------------|----------------------------|--|-------------------|-----------|
| Order No.  | <a href="#">1682740000</a> | PCB plug-in connector, female header, Dovetails for fixing blocks, THT | IEC: 400 V / 23 A | Box       |
| GTIN (EAN) | 4008190474508              | solder connection, 5.08 mm, Number of poles: 3, 180°, Solder pin       | UL: 300 V / 15 A  |           |
| Qty.       | 108 pc(s).                 | length (l): 3.2 mm, tinned, orange, Box                                |                   |           |

MASSE OHNE TOLERANZ SIND KEINE PRUEFMASSE  
 DIMS. WITHOUT TOLERANCE ARE NOT CONTROL DIMS.

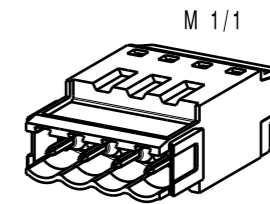
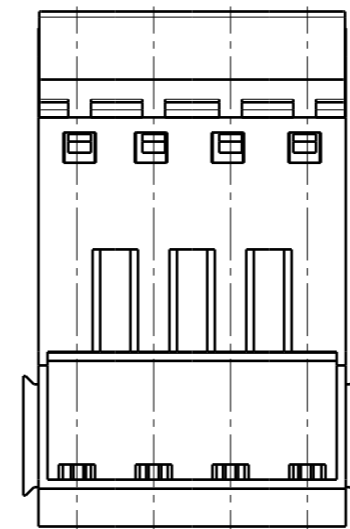
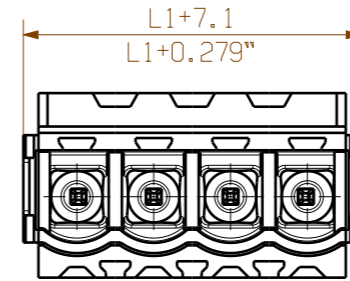
ALLGEMEINGUELTIGE KUNDENZEICHNUNG, AKTUELLER STAND NUR AUF ANFRAGE  
 GENERAL CUSTOMER DRAWING, TOPICAL VERSION ONLY IF REQUIRED

DIE DEUTSCHE VERSION IST VERBINDLICH  
 THE GERMAN VERSION IS BINDING

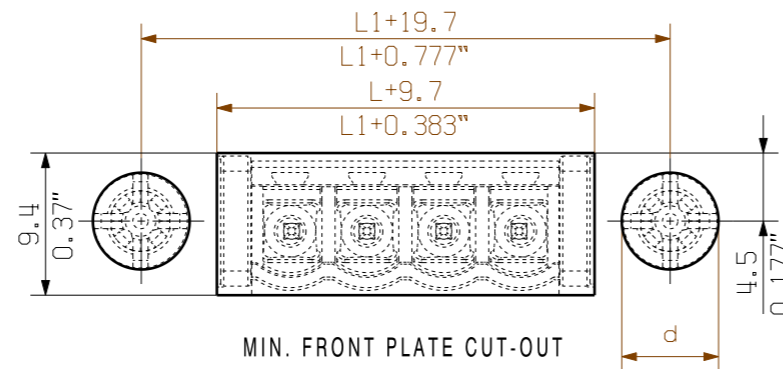
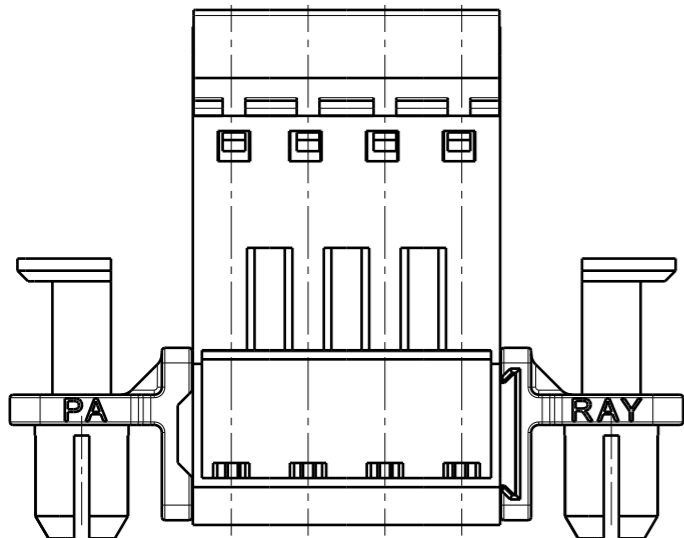
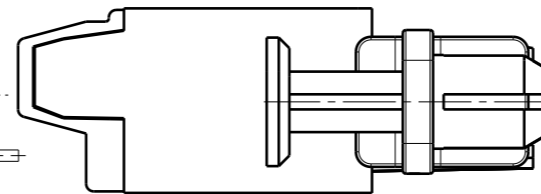
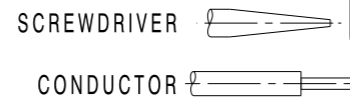
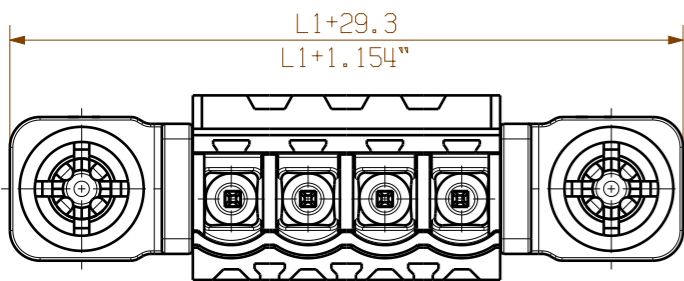
SHOWN: SLT 5.08/04/180



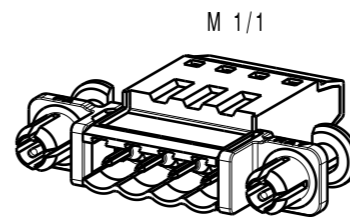
SHOWN: SLT 5.08/04/180B



SHOWN: SLT 5.08/04/180DF



|                                  |                                    |        |          |
|----------------------------------|------------------------------------|--------|----------|
| 0.5-0.8                          | 0.019-0.031                        | 6.3    | 0.248    |
| 1.00                             | 0.039                              | 6.4    | 0.252    |
| 1.5                              | 0.059                              | 6.5    | 0.256    |
| 2.00                             | 0.079                              | 6.7    | 0.264    |
| WANDDICKE<br>WALL THICKNESS [mm] | WANDDICKE<br>WALL THICKNESS [inch] | d [mm] | d [inch] |



P=5.08 RASTER PITCH

For the mounting of PCBs, it should be noted that the rated data relates only to the PCB components alone. The necessary creepage and clearance paths must be observed in connection with the respective applicant in accordance to IEC 664 / VDE 0110. The current-carrying capacity and pitch tolerance is to be determined according to DIN IEC 326 part 3 very fine.

Weidmüller PCB components are tested to the DIN EN 61984 standard, and are valid for its field of application. Provided that the components are used to the intended purpose, all requirements with respect to the occurring of electrical, mechanical, thermic and corrosive stress will be satisfied.

|            |            |              |
|------------|------------|--------------|
| 24         | 106.84     | 4.600        |
| 23         | 111.76     | 4.400        |
| 22         | 106.68     | 4.200        |
| 21         | 101.60     | 4.000        |
| 20         | 96.52      | 3.800        |
| 19         | 91.44      | 3.600        |
| 18         | 86.36      | 3.400        |
| 17         | 81.28      | 3.200        |
| 16         | 76.20      | 3.000        |
| 15         | 71.12      | 2.800        |
| 14         | 66.04      | 2.600        |
| 13         | 60.96      | 2.400        |
| 12         | 55.88      | 2.200        |
| 11         | 50.80      | 2.000        |
| 10         | 45.72      | 1.800        |
| 9          | 40.64      | 1.600        |
| 8          | 35.56      | 1.400        |
| 7          | 30.48      | 1.200        |
| 6          | 25.40      | 1.000        |
| 5          | 20.32      | 0.800        |
| 4          | 15.24      | 0.600        |
| 3          | 10.16      | 0.400        |
| 2          | 5.08       | 0.200        |
| n<br>POLES | L1<br>[mm] | L1<br>[inch] |

|                           |  |                                 |                               |
|---------------------------|--|---------------------------------|-------------------------------|
|                           | METRIC TOLERANCES<br>X. = ±0.3<br>X.X = ±0.1<br>X.XX = ±0.05 | 70330/5<br>24.05.13 HELIS_MA 01 | CAT.NO.:<br><b>C 21246 05</b> |
|                           | MODIFICATION   | DATE<br>14.06.2012              | NAME<br>HECKERT_M             |
| DRAWN                     | RESPONSIBLE  | CHECKED                         | APPROVED                      |
| SCALE: 2/1<br>SUPERSEDES: | DATE<br>07.06.2013   | NAME<br>HECKERT_M               | PRODUCT FILE: SLT 5.08        |

**SLT 5.08/.../180...**  
 STIFTSTECKER  
 MALE PLUG

SHEET 01 OF 01 SHEETS

7315

WEIDMÜLLER INTERFACE GmbH & Co. KG  
 WEITERGABE SOWIE Vervielfältigung dieses Dokuments, Verwertung und Mitteilung seines Inhalts sind verboten, soweit nicht ausdrücklich gestattet. Zuwiderhandlungen verpflichten zu Schadenersatz. Alle Rechte für den Fall der Patent-, Gebrauchsmuster- oder Geschmacksmusterertragsvorbehalten. THE REPRODUCTION, DISTRIBUTION AND UTILIZATION OF THIS DOCUMENT AS WELL AS THE COMMUNICATION OF ITS CONTENTS TO OTHERS WITHOUT EXPLICIT AUTHORIZATION IS PROHIBITED. OFFENDERS WILL BE HELD LIABLE FOR THE PAYMENT OF DAMAGES.