

**OMNIMATE Power - Powerbus series
SL RH4L OR**

Weidmüller Interface GmbH & Co. KG
 Klingenbergstraße 26
 D-32758 Detmold
 Germany
 Fon: +49 5231 14-0
 Fax: +49 5231 14-292083
 www.weidmueller.com

Product image

Similar to illustration

**No task is too small when creating the perfect solution.** br />

Connections form just one part of the overall process. Small details are often the key to the perfect solution in applications where potentials are tested, grouped or even isolated.

A system is not a system without small but useful details:

- Test plugs - ensure reliable pick-up from diagnostic sockets
- Cross-connectors - ensure a stable electrical distribution contact directly at the connection
- Compartment partition elements - divide a large number of male connectors into several separate socket connector channels
- Locks and clips - optional vibration-resistant clip-on connection or mounting for male and female connectors

In tandem with the manufacturing process and application - more accessories = smaller workload

General ordering data

Type	SL RH4L OR
Order No.	1338760000
Version	PCB plug-in connector, Accessories, Latches, orange, Number of poles: 1
GTIN (EAN)	4008190170073
Qty.	100 pc(s).
Product data	
Packaging	Box

OMNIMATE Power - Powerbus series SL RH4L OR

Weidmüller Interface GmbH & Co. KG
 Klingenbergstraße 26
 D-32758 Detmold
 Germany
 Fon: +49 5231 14-0
 Fax: +49 5231 14-292083
 www.weidmueller.com

Technical data

Dimensions and weights

Net weight 0.4 g

Material data

Colour	orange	Colour chart (similar)	RAL 2000
Storage temperature, min.	-25 °C	Storage temperature, max.	50 °C
Max. relative humidity during storage	70 %	Operating temperature, min.	-50 °C
Operating temperature, max.	100 °C	Temperature range, installation, min.	-25 °C
Temperature range, installation, max.	100 °C		

Rated data acc. to IEC

tested acc. to standard IEC 60664-1, IEC 61984

Packing

Packaging	Box	VPE length	20 mm
VPE width	70 mm	VPE height	80 mm

Classifications

ETIM 6.0	EC002943	ETIM 7.0	EC002943
eClass 9.0	27-44-04-92	eClass 9.1	27-44-04-92
eClass 10.0	27-44-04-92	UNSPSC	30-21-18-17

Notes

IPC conformity Conformity: The products are developed, manufactured and delivered according international recognized standards and norms and comply with the assured properties in the data sheet resp. fulfill decorative properties in accordance with IPC-A-610 "Class 2". Further claims on the products can be evaluated on request.

Approvals

Approvals



ROHS Conform

Downloads

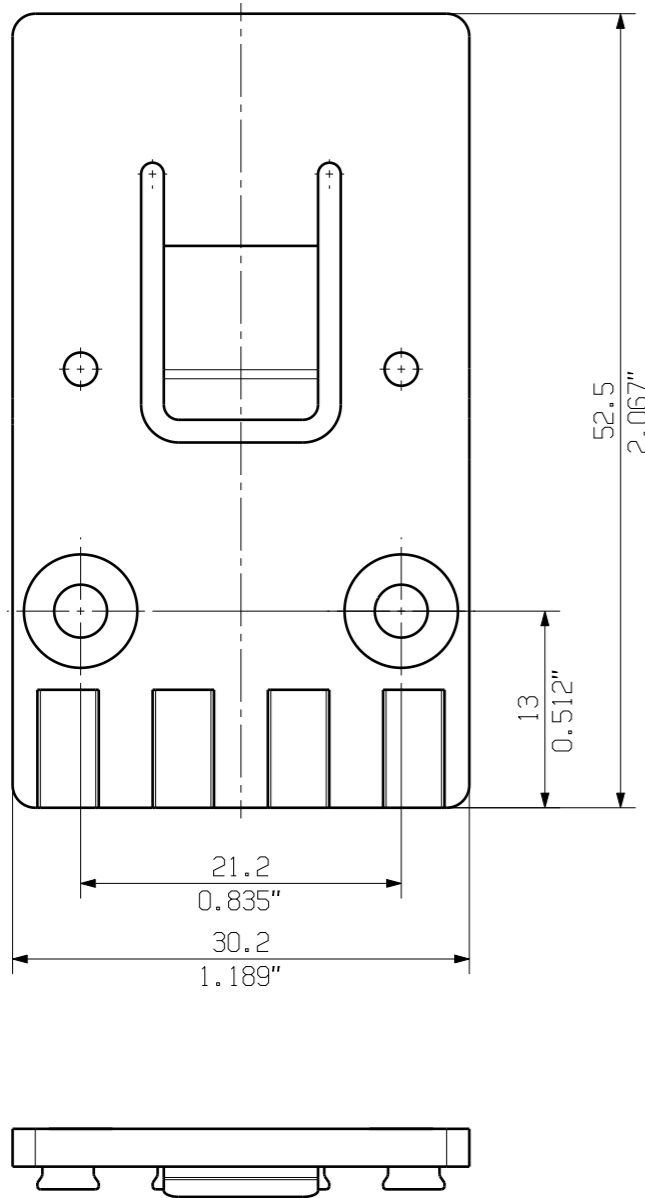
Approval/Certificate/Document of Conformity	Declaration of the Manufacturer
Brochure/Catalogue	FL DRIVES EN MB DEVICE MANUF. EN FL DRIVES DE FL BUILDING SAFETY EN FL APPL LED LIGHTING EN FLIndustr.CONTROLS EN FL MACHINE SAFETY EN FL HEATING ELECTR EN FL APPL INVERTER EN FL_BASE_STATION_EN FL ELEVATOR EN FL POWER SUPPLY EN FL 72H SAMPLE SER EN PO OMNIMATE EN

MASSE OHNE TOLERANZ SIND KEINE PRUEFMASSE
 DIMS. WITHOUT TOLERANCE ARE NOT CONTROL DIMS.

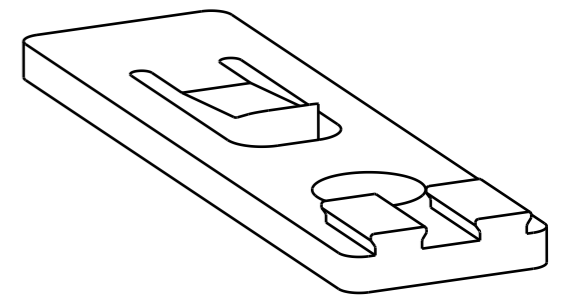
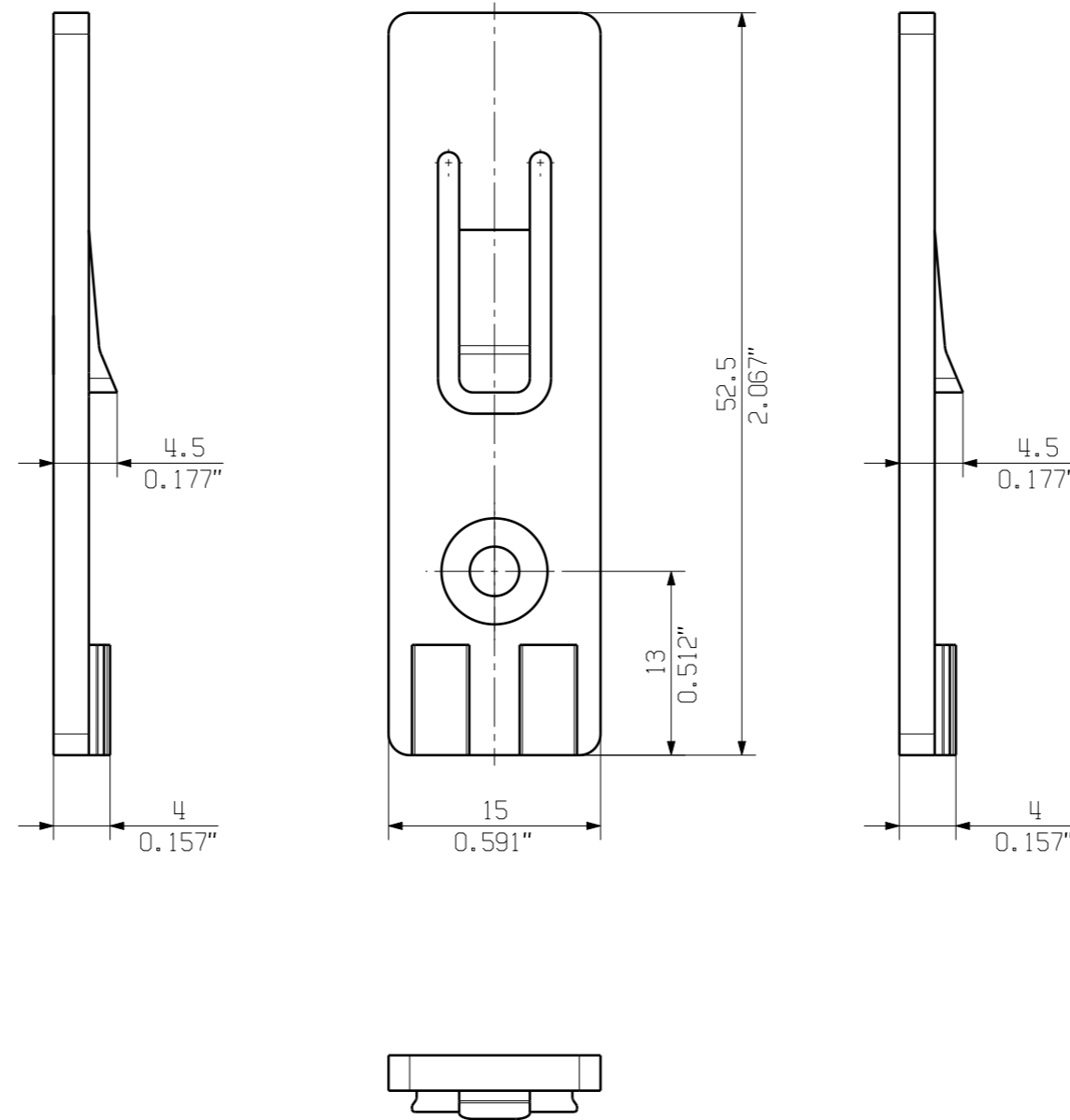
ALLGEMEINGUELTIGE KUNDENZEICHNUNG, AKTUELLER STAND NUR AUF ANFRAGE
 GENERAL CUSTOMER DRAWING, TOPICAL VERSION ONLY IF REQUIRED

DIE DEUTSCHE VERSION IST VERBINDLICH
 THE GERMAN VERSION IS BINDING

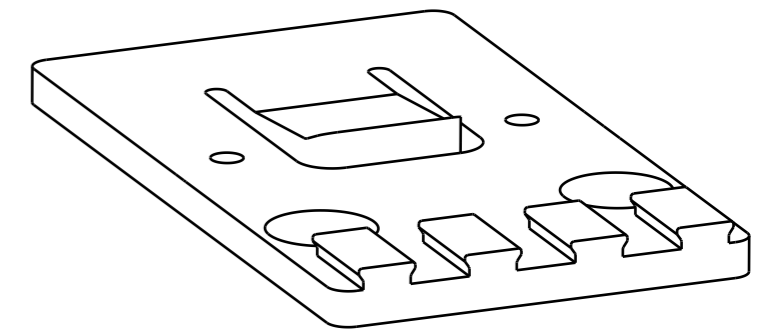
SHOWN: ARPL BV/SV7.62HP/4AN



SHOWN: ARPL BV/SV7.62HP/2AN



ARPL BV/SV7.62HP/2AN



ARPL BV/SV7.62HP/4AN

PA 66/6 V0 30 GF GR	BV/SV7.62HP/4AN ARPL GR	1937580000
PA 66/6 V0 30 GF GR	BV/SV7.62HP/2AN ARPL GR	1937570000
WERKSTOFF MATERIAL	TYP PART NAME	BEST.-NR. CAT.NO.

GENERAL TOLERANCE: DIN ISO 2768-mK		CAT.NO.: .	
	MAX. NRN./NOS.	84373/5 29.09.15 GUETZLAFF_T 01	
	MODIFICATION		
	DRAWN	12.12.2005	NEUMANN_G
	RESPONSIBLE		KRUG_M
	CHECKED	02.10.2015	LANG_T
SCALE: 2/1	APPROVED		LANG_T
SUPERSEDES: .	PRODUCT FILE: SV/BVZ 7.62 HP		7340

BV/SV7.62HP... ARPL
 ADAPTERPLATTE
 ADAPTER PLATE

WEITERGABE SOWIE VERVIELFÄLTIGUNG DIESER DOKUMENTS, VERWERTUNG UND MITTEILUNG SEINER INHALTS SIND VERBOTEN, SOWEIT NICHT AUSDRUECKLICH GESTATET.
 ZUWIDERHANDLUNGEN VERPFLICHTEN ZU SCHADENERSATZ. ALLE RECHTE FUER DEN FALL DER PATENT-, GEBRAUCHSMUSTER- ODER GESCHMACKSMUSTERREINTRAGUNG VORBEHALTEN.
 THE REPRODUCTION, DISTRIBUTION AND UTILIZATION OF THIS DOCUMENT AS WELL AS THE COMMUNICATION OF ITS CONTENTS TO OTHERS WITHOUT EXPLICIT AUTHORIZATION IS PROHIBITED.
 OFFENDERS WILL BE HELD LIABLE FOR THE PAYMENT OF DAMAGES. WEIDMUELLER EXCLUSIVELY RESERVES THE RIGHT TO FILE FOR PATENTS, UTILITY MODELS OR DESIGNS.
 © WEIDMUELLER INTERFACE GmbH & Co.KG