

## Klippon K (aluminium empty enclosure) KLIPPON K52 EX RAL7001

**Weidmüller Interface GmbH & Co. KG**  
Klingenbergstraße 26  
D-32758 Detmold  
Germany  
Fon: +49 5231 14-0  
Fax: +49 5231 14-292083  
www.weidmueller.com

### Similar to illustration



The Klippon® brand has long stood for competence and quality in housings – particularly when turnkey, customer-specific solutions for standard industrial applications and applications in explosive risk zones are concerned.

Improved products that meet all application requirements: this was Weidmüller's aim when modernising and upgrading the Klippon® K enclosure series. No matter what kind of application the customer is planning; Weidmüller is able to provide a wide range of aluminium enclosures precisely fitting the customer's requirements.

- Available in two surface finishes: natural and powder-coated (RAL 7001)
- Available with moulded silicone or chloroprene gasket as standard
- Uniform Torx slotted screw head for 19 enclosure sizes
- Mounting holes outside of the gasket area
- High IP protection classes: IP66, IP67 and IP68
- Impact resistance of up to 7 (10) Joules
- The enclosures are approved according ATEX, IECEx, GOST Ex, GOST, cULus, Russian Maritime Register and Germanischer Lloyd as well as the empty enclosure standard.
- Alloy is resistant to salt water
- Standardised distributor enclosures with threaded holes and a variety of terminal configurations

### General ordering data

Type	KLIPPON K52 EX RAL7001
Order No.	<a href="#">1329730000</a>
Version	Klippon K (aluminium empty enclosure), Empty enclosure, Aluminium enclosure, Height: 160 mm, Width: 160 mm, Depth: 91 mm, Material: Aluminium AlSi12, Powder-coated, Silver grey
GTIN (EAN)	4050118134018
Qty.	1 pc(s).

**Klippon K (aluminium empty enclosure)  
KLIPPON K52 EX RAL7001**

**Weidmüller Interface GmbH & Co. KG**  
Klingenbergstraße 26  
D-32758 Detmold  
Germany  
Fon: +49 5231 14-0  
Fax: +49 5231 14-292083  
www.weidmueller.com

**Technical data**
**Dimensions and weights**

Width	160 mm	Width (inches)	6.299 inch
Height	160 mm	Height (inches)	6.299 inch
Depth	91 mm	Depth (inches)	3.583 inch
Mounting dimension - width	140 mm	Mounting dimension - height	110 mm
Net weight	1,700 g		

**Environmental Product Compliance**

REACH SVHC Lead 7439-92-1

**Cable glands, left**

M12	8	M16	5
M20	3	M25	2
M32	1		

**Cable glands, right**

M12	8	M16	5
M20	3	M25	2
M32	1		

**Cable glands, top/bottom**

M12	14	M16	8
M20	5	M25	3
M32	2	M40	1

**Certificate numbers enclosure**

Certificate no. assembled enclosure (ATEX)	IBExU12ATEX1145 X	Certificate no. empty enclosure (ATEX)	IBExU12ATEX1144 U
Certificate no. assembled enclosure (IECEx)	IECEx IBE 13.0002X	Certificate no. empty enclosure (IECEx)	IECEx IBE 13.0001U
Certificate no., assembled enclosure (EAC)	RU C-DE.ГБ08.B.01328	Certificate no., empty enclosure (EAC)	RU C-DE.ГБ08.B.00472
Certificate No. (MARITREG)	19.00108.272		

**General information**

Areas of use	Explosive risk zone, Process industry, Transportation, Packaging industry, Marine engineering, Machine construction, Harbour facilities	Material thickness	4.5 mm
Material thickness of cover	4 mm	Material thickness of enclosure	4.5 mm
Standards	IEC 60079-0, IEC 60079-7, IEC 60079-31	Torque for lid screws	2.5 Nm
Material	Aluminium AISi12	Seal material	Silicone
Surface finish	Powder-coated	Operating temperature, min.	-60 °C
Operating temperature, max.	135 °C	Impact resistance	7.00 J
Protection degree	IP66, IP67	Enclosure attachment	Holes 6 mm
Lid attachment	M6 torx stainless steel screws with slot	Integral fixing	Threaded holes M5

Creation date May 3, 2020 2:19:23 AM CEST

**Klippon K (aluminium empty enclosure)  
KLIPPON K52 EX RAL7001**

**Weidmüller Interface GmbH & Co. KG**  
Klingenbergstraße 26  
D-32758 Detmold  
Germany  
Fon: +49 5231 14-0  
Fax: +49 5231 14-292083  
www.weidmueller.com

**Technical data**

**horizontal assembly**

WDU 10 / ZDU 10	1x8	WDU 16 / ZDU 16	1x6
WDU 2,5 / ZDU 2,5 / IDU 2,5	1x16	WDU 4 / ZDU 4	1x13
WDU 6 / ZDU 6	1x10		

**vertical assembly**

WDU 2,5 / ZDU 2,5 / IDU 2,5	*	WDU 4 / ZDU 4	*
-----------------------------	---	---------------	---

**Classifications**

ETIM 6.0	EC002503	ETIM 7.0	EC002503
eClass 9.0	27-18-05-02	eClass 9.1	27-18-05-02
eClass 10.0	27-18-05-02		

**Approvals**

Approvals



**Downloads**

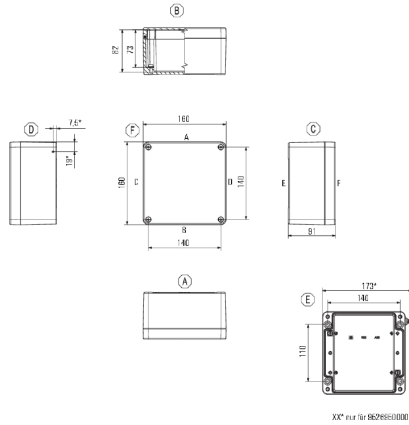
Brochure/Catalogue	<a href="#">CAT 5 ENCL 17/18 EN</a>
Engineering Data	<a href="#">STEP</a>
Tender specification	<a href="#">Klippon K52 Ex RAL7001_1329730000_DE</a> <a href="#">Klippon K52 Ex RAL7001_1329730000_EN</a>

**Klippon K (aluminium empty enclosure)  
KLIPPON K52 EX RAL7001**

**Weidmüller Interface GmbH & Co. KG**  
Klingenbergstraße 26  
D-32758 Detmold  
Germany  
Fon: +49 5231 14-0  
Fax: +49 5231 14-292083  
www.weidmueller.com

**Drawings**

**Dimensioned drawing**



## Klippon K (aluminium empty enclosure) KLIPPON K52 EX RAL7001

**Weidmüller Interface GmbH & Co. KG**  
 Klingenbergstraße 26  
 D-32758 Detmold  
 Germany  
 Fon: +49 5231 14-0  
 Fax: +49 5231 14-292083  
 www.weidmueller.com

# Accessories

## Klippon® K - Mounting plates



The Klippon® brand has long stood for competence and quality in housings – particularly when turnkey, customer-specific solutions for standard industrial applications and applications in explosive risk zones are concerned. Improved products that meet all application requirements: this was Weidmüller's aim when modernising and upgrading the Klippon® K enclosure series. No matter what kind of application the customer is planning; Weidmüller is able to provide a wide range of aluminium enclosures precisely fitting the customer's requirements.

### General ordering data

Type	MOPL K52 STAHL	Version
Order No.	<a href="#">3073100000</a>	Klippon K (aluminium empty enclosure), Mounting plate, Mounting
GTIN (EAN)	4008190858032	plate, Height: 146 mm, Width: 145 mm, Depth: 2 mm, Material: Sheet
Qty.	1 pc(s).	steel, galvanized, galvanized, silver

## Installation material



### Integrate, expand and customise - the perfect supplement to every application

The fully structured range of system accessories for the new Klippon® TB enclosure series allows you to easily adapt the enclosures to meet the specific requirements of every application.

#### Mounting hardware kits

Mounting hardware kits are available for quick and easy installation of type label holders, document holders and rain hoods.

The **label fastening set – SD** is required to install a plastic (Trafolyte) ID or type label. With the aid of this set you can mount the ID or type label directly on the enclosure cover. The label fastening set has been specially developed for this purpose. Only by using this fastening set can you ensure that there will be no leaks into the enclosure or damage to the label.

The **universal fastening set – TPSD** has been developed to enable secure and quick installation of type label holders, rain covers or document holders, for example. By using this fastening set, the risk of leaks can be minimised, if not avoided.

### General ordering data

Type	SD FIXING SET	Version
Order No.	<a href="#">1285200000</a>	Klippon TB (Terminal Box), Identification plate fixing set, Material:
GTIN (EAN)	4050118075472	Stainless steel, rust-proof, untreated, silver
Qty.	1 pc(s).	
Type	TPSD FIXING SET KTB	Version
Order No.	<a href="#">1252190000</a>	Klippon TB (Terminal Box), Type plate fixings set, Material: Stainless
GTIN (EAN)	4050118043969	steel, rust-proof, untreated, silver
Qty.	1 pc(s).	

## Klippon K (aluminium empty enclosure) KLIPPON K52 EX RAL7001

**Weidmüller Interface GmbH & Co. KG**  
 Klingenbergstraße 26  
 D-32758 Detmold  
 Germany  
 Fon: +49 5231 14-0  
 Fax: +49 5231 14-292083  
 www.weidmueller.com

# Accessories

## Klippon® K - Hinge



The Klippon® brand has long stood for competence and quality in housings – particularly when turnkey, customer-specific solutions for standard industrial applications and applications in explosive risk zones are concerned. Improved products that meet all application requirements: this was Weidmüller's aim when modernising and upgrading the Klippon® K enclosure series. No matter what kind of application the customer is planning; Weidmüller is able to provide a wide range of aluminium enclosures precisely fitting the customer's requirements.

### General ordering data

Type	HG K+POK	Version
Order No.	<a href="#">1580360000</a>	Klippon POK (polyester empty enclosure), External joint, Hinge, silver
GTIN (EAN)	4008190203542	
Qty.	1 pc(s).	

## Screwing



**Klippon® Connect with clamping yoke Technology**  
 The high reliability and variety of designs of the terminal blocks with clamping yoke connections make planning easier and optimises operational safety. Klippon® Connect provides a proven response to a range of different requirements.

### General ordering data

Type	FKSC M5X8 D9/SW2.5	Version
Order No.	<a href="#">0295900000</a>	SAK Series, Allen hex screw, Screws, Number of poles: 1
GTIN (EAN)	4008190133337	
Qty.	50 pc(s).	

## Klippon K (aluminium empty enclosure) KLIPPON K52 EX RAL7001

**Weidmüller Interface GmbH & Co. KG**  
 Klingenbergstraße 26  
 D-32758 Detmold  
 Germany  
 Fon: +49 5231 14-0  
 Fax: +49 5231 14-292083  
 www.weidmueller.com

# Accessories

### Klippon® K - Wall-mounted holder



The Klippon® brand has long stood for competence and quality in housings – particularly when turnkey, customer-specific solutions for standard industrial applications and applications in explosive risk zones are concerned. Improved products that meet all application requirements: this was Weidmüller's aim when modernising and upgrading the Klippon® K enclosure series. No matter what kind of application the customer is planning; Weidmüller is able to provide a wide range of aluminium enclosures precisely fitting the customer's requirements.

#### General ordering data

Type	KLIPPON K MF KIT 25	Version
Order No.	<a href="#">9527590000</a>	Klippon K (aluminium empty enclosure), Mounting foot, Fixing lugs,
GTIN (EAN)	4032248014071	Material: Stainless steel 1.4301, silver
Qty.	1 pc(s).	

### TS 35



The Klippon® brand has long stood for competence and quality in housings – particularly when turnkey, customer-specific solutions for standard industrial applications and applications in explosive risk zones are concerned. Improved products that meet all application requirements: this was Weidmüller's aim when modernising and upgrading the Klippon® K enclosure series. No matter what kind of application the customer is planning; Weidmüller is able to provide a wide range of aluminium enclosures precisely fitting the customer's requirements.

#### General ordering data

Type	TS35X7.5 ST K52	Version
Order No.	<a href="#">8000003908</a>	Rail, TS 35, TS 35 x 7.5, Length: 140 mm, without slot, Steel,
GTIN (EAN)	4050118652659	galvanized, chromium-plated
Qty.	20 pc(s).	