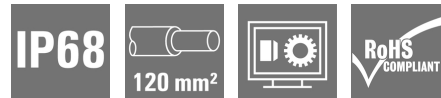


**HDC kits  
HDC HP550 KIT 3 FM 120**

**Weidmüller Interface GmbH & Co. KG**  
 Klingenbergstraße 26  
 D-32758 Detmold  
 Germany  
 Fon: +49 5231 14-0  
 Fax: +49 5231 14-292083  
 www.weidmueller.com



The RockStar® HighPower housings are manufactured from high-strength die-cast aluminium and offer perfect protection against harsh environmental conditions thanks to continual optimisation. The multi-part housing gives users the opportunity to examine work processes down to the last step in the workflow.

**General ordering data**

Type	HDC HP550 KIT 3 FM 120
Order No.	<a href="#">1328070000</a>
Version	RockStar® HDC kits-Heavy-duty connectors, Plug-in connector, HighPower, 4000 V, 550 A, diecast aluminium, Closed base, Plug housing
GTIN (EAN)	4050118132762
Qty.	1 pc(s).

Creation date May 3, 2020 2:13:09 AM CEST

**HDC kits  
HDC HP550 KIT 3 FM 120**

**Weidmüller Interface GmbH & Co. KG**  
Klingenbergstraße 26  
D-32758 Detmold  
Germany  
Fon: +49 5231 14-0  
Fax: +49 5231 14-292083  
www.weidmueller.com

**Technical data**
**Dimensions and weights**

Length	244 mm	Length (inches)	9.606 inch
Width	84.5 mm	Width (inches)	3.327 inch
Height	270.5 mm	Height (inches)	10.65 inch
Mounting dimension - width	210 mm	Mounting dimension - height	170 mm
Net weight	6,036 g		

**Temperatures**

Limit temperature -50 °C ... 120 °C

**Environmental Product Compliance**

REACH SVHC Lead 7439-92-1

**General data**

Number of poles	3	Rated current (DIN EN 61984)	550 A
Rated voltage (DIN EN 61984)	4,000 V	Series	HighPower

**Version**

Conductor cross-section, max.	120 mm <sup>2</sup>	Stripping length, rated connection	30 mm
Surface finish	Powder coating	Type of connection	Crimp contact

**Classifications**

ETIM 6.0	EC002641	ETIM 7.0	EC002641
eClass 9.0	27-44-03-06	eClass 9.1	27-44-01-90
eClass 10.0	27-44-03-06		

**Approvals**

Approvals



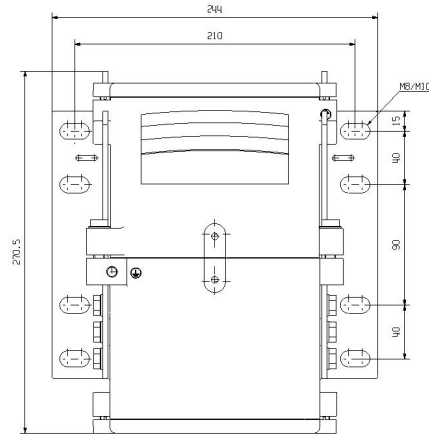
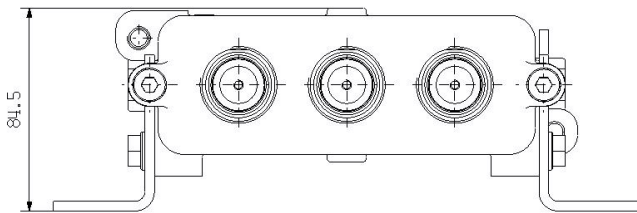
ROHS Conform

**Downloads**

Brochure/Catalogue	<a href="#">FL FIELDWIRING EN</a>
Engineering Data	<a href="#">EPLAN</a>
Engineering Data	<a href="#">STEP</a>
User Documentation	<a href="#">1487780000_00_11_13_BPZ_HDC_HP250-550_web.pdf</a>

**Data sheet****HDC kits  
HDC HP550 KIT 3 FM 120**

**Weidmüller Interface GmbH & Co. KG**  
Klingenbergstraße 26  
D-32758 Detmold  
Germany  
Fon: +49 5231 14-0  
Fax: +49 5231 14-292083  
[www.weidmueller.com](http://www.weidmueller.com)

**Drawings**

**HDC kits  
HDC HP550 KIT 3 FM 120**

**Weidmüller Interface GmbH & Co. KG**  
 Klingenbergstraße 26  
 D-32758 Detmold  
 Germany  
 Fon: +49 5231 14-0  
 Fax: +49 5231 14-292083  
 www.weidmueller.com

**Accessories**

**Crimping tools**



Weidmüller offers a variety of crimping tools, no-contact tools, and fibre optic tools.

**General ordering data**

Type	MTR 300	Version
Order No.	<a href="#">9021390000</a>	Pressing tool, Crimping tool, universal hand presses, 10mm <sup>2</sup> , 300mm <sup>2</sup>
GTIN (EAN)	4008190497057	
Qty.	1 pc(s).	

**Touch-safe protection set**



The RockStar<sup>®</sup> HighPower housings are manufactured from high-strength die-cast aluminium and offer perfect protection against harsh environmental conditions thanks to continual optimisation. The multi-part housing gives users the opportunity to examine work processes down to the last step in the workflow.

**General ordering data**

Type	HDC HP 550 SHOCKPROTEC	Version
Order No.	<a href="#">1120140000</a>	Accessories, Screw connection, Size: 550
GTIN (EAN)	4032248901470	
Qty.	1 pc(s).	