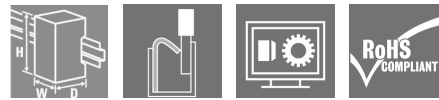


Automation Products - u-remote IP20 UR20-2CNT-100

Weidmüller Interface GmbH & Co. KG
Klingenbergstraße 26
D-32758 Detmold
Germany
Fon: +49 5231 14-0
Fax: +49 5231 14-292083
www.weidmueller.com

Product image



100/ 500 kHz; 32-Bit Counter data width; Single channel diagnosis

In automated systems, it is impossible to imagine industry without the collection of incremental- and absolute encoder values. Developed specifically for these applications Weidmüller now offers several counter modules that can take values with an input frequency of up to 500 kHz. By the synchronous-serial Interface module (SSI) high-precision positioning can be realized with absolute encoders. By parameterization the module can work in master- or listening mode to meet all operational situations. For the frequency measurement up to 100 kHz a module with pulse input is available, the UR20-1CNT-500 module has an input that can detect frequencies up to 500 kHz. The UR20-2CNT-100 module has two independent counter inputs and is supplemented by the module UR20-1CNT-100-1DO with only one counter, but additional options. A Latch-, Gate- and Reset input allows external control of the counter. In addition, a digital output can trigger an immediate event, when there are compared values set.

The module UR20-1COM-232-485-422 offers expanded communication possibilities, devices with RS232, RS485 or RS422 interface can be operated efficiently on u-remote. A solution for the connection from the cabinet to

the field represents the module UR20-1COM-SAI-PRO. At this gateway up to 15 decentralized IP67 SAI-PRO sub-bus modules can be integrated per u-remote module. Thanks to simplified installation and commissioning, an extended power supply, automatic parameter settings as well as additional diagnostic functions corresponds the new 4-port IO Link Master to the current requirements.

The module electronics supply the connected sensors from the input current path (UIN).

General ordering data

Type	UR20-2CNT-100
Order No.	1315590000
Version	Remote I/O module, IP20, Digital signals, Input, PUSH IN connection, Counter, dual channel
GTIN (EAN)	4050118118506
Qty.	1 pc(s).

Automation Products - u-remote IP20 UR20-2CNT-100

Weidmüller Interface GmbH & Co. KG
Klingenbergstraße 26
D-32758 Detmold
Germany
Fon: +49 5231 14-0
Fax: +49 5231 14-292083
www.weidmueller.com

Technical data

Dimensions and weights

Width	11.5 mm	Width (inches)	0.453 inch
Height	120 mm	Height (inches)	4.724 inch
Depth	76 mm	Depth (inches)	2.992 inch
Mounting dimension - height	128 mm	Net weight	85 g

Temperatures

Operating temperature, max.	60 °C	Operating temperature, min.	-20 °C
Storage temperature, max.	85 °C	Storage temperature, min.	-40 °C
Operating temperature	-20 °C ... +60 °C	Storage temperature	-40 °C ... +85 °C

Environmental Product Compliance

REACH SVHC Lead 7439-92-1

digital inputs

Individual channel diagnosis	Yes	Input filter	configurable
Input voltage, high	> 11 V	Input voltage, low	< 5 V
Module diagnosis	Yes	Number	2
Reverse polarity protection	Yes	Sensor connection	2-wire, 3-wire
Sensor supply	Yes		

Connection data

Type of connection	PUSH IN	Wire connection cross section, finely stranded, max.	1.5 mm ²
Wire connection cross-section, finely stranded, min.	0.14 mm ²	Wire cross-section, finely stranded, max. (AWG)	AWG 16
Wire cross-section, finely stranded, min. (AWG)	AWG 26	Wire cross-section, solid, max.	1.5 mm ²
Wire cross-section, solid, max. (AWG)	AWG 16	Wire cross-section, solid, min.	0.14 mm ²
Wire cross-section, solid, min. (AWG)	AWG 26		

General data

Air humidity (operation)	10% to 95%, non-condensing as per DIN EN 61131-2	Air humidity (storage)	10% to 95%, non-condensing as per DIN EN 61131-2
Air humidity (transport)	10% to 95%, non-condensing as per DIN EN 61131-2	Air pressure (operation)	≥ 795 hPa (height ≤ 2000 m) as per DIN EN 61131-2
Air pressure (storage)	1013 hPa (height 0 m) to 700 hPa (height 3000 m) as per DIN EN 61131-2	Air pressure (transport)	1013 hPa (height 0 m) to 700 hPa (height 3000 m) as per DIN EN 61131-2
Pollution severity	2	Shock	15 g over 11 ms, half sinus wave, acc. to IEC 60068-2-27
Surge voltage category	II	Test voltage	500 V
UL 94 flammability rating	V-0	Vibration resistance	5 Hz ≤ f ≤ 8.4 Hz: 3.5-mm amplitude as per IEC 60068-2-6, 8.4 Hz ≤ f ≤ 150 Hz: 1 g acceleration as per IEC 60068-2-6

Automation Products - u-remote IP20 UR20-2CNT-100

Weidmüller Interface GmbH & Co. KG
 Klingenbergstraße 26
 D-32758 Detmold
 Germany
 Fon: +49 5231 14-0
 Fax: +49 5231 14-292083
 www.weidmueller.com

Technical data

Power supply

Current consumption from I _{IN} (power segment of the field bus coupler), typ.	8 mA	Current consumption from I _{IN} (the respective power segment)	35 mA (plus output current)
Reverse polarity protection	Yes	Voltage supply	24 V DC +20 %/ -15 %, via the system bus

System data

Field bus protocol	CANopen, DeviceNet, EtherCAT, EtherNet/IP, Modbus/TCP, PROFINET IRT, PROFIBUS DP-V1, POWERLINK	Galvanic isolation	500 V DC between the current paths
Interface	u-remote system bus	Module type	Functional module
Transmission speed of system bus, max. 48 Mbit			

Classifications

ETIM 6.0	EC001601	ETIM 7.0	EC001601
eClass 9.0	27-24-26-05	eClass 9.1	27-24-26-04
eClass 10.0	27-24-26-05		

Approvals

Approvals



ROHS Conform

Downloads

Approval/Certificate/Document of Conformity	Declaration of Conformity Compass safe distance certificate Lloyds Register certificate DNV/GL certificate ABS certificate RINA certificate Bureau Veritas - Type Approval Certificate PRS (Polish Register of Shipping) NIPPON KAIJI KYOKAI Certificate
Engineering Data	WSCAD, Zuken E3.S, EPLAN
Engineering Data	STEP CoDeSys - Version 3
User Documentation	MAN_U-REMOTE_DE MAN_U-REMOTE_EN

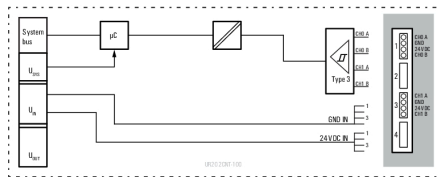
Data sheet

**Automation Products - u-remote IP20
UR20-2CNT-100**

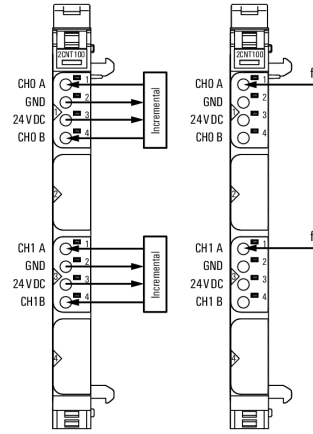
Weidmüller Interface GmbH & Co. KG
 Klängenbergstraße 26
 D-32758 Detmold
 Germany
 Fon: +49 5231 14-0
 Fax: +49 5231 14-292083
 www.weidmueller.com

Drawings

Block diagram



Connection diagram

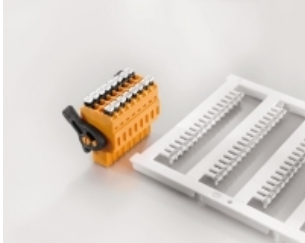


**Automation Products - u-remote IP20
UR20-2CNT-100**

Weidmüller Interface GmbH & Co. KG
Klingenbergstraße 26
D-32758 Detmold
Germany
Fon: +49 5231 14-0
Fax: +49 5231 14-292083
www.weidmueller.com

Accessories

Blank



Weidmüller has established new market standards with its MultiCard product line. This system is being continually extended with over 200 variants and by consistently extending the portfolio.

For custom printing: Please send us a file of our labeling software M-Print PRO or M-Print PRO Online (without installation) for your labeling specifications.

General ordering data

Type	PM 2.7/2.6 MC NE WS	Version
Order No.	1323710000	OMNIMATE Signal - series PM, Pusher markers, 2.7 x 2.6 mm, Pitch in
GTIN (EAN)	4050118126778	mm (P): 3.50 Weidmueller, white
Qty.	960 pc(s).	

Accessories



Potential-distribution modules; system accessory

A wide range of accessory modules is available for individual requirements of machine and plant engineering. Various potential distribution modules are available for the supply of sensors with 2- to 4-wire connection technology directly from the remote I/O system. These offer 16 "PUSH IN" potential points and supply your application with any auxiliary potential available. An empty module, where the system bus and voltage supply are looped through, allows you to plan expansion slots in a system and to start these up without any interruptions if required.

General ordering data

Type	UR20-EBK-ACC	Version
Order No.	1346610000	End bracket, ,
GTIN (EAN)	4050118151596	
Qty.	5 pc(s).	
Type	UR20-SM-ACC	Version
Order No.	1339920000	Cover, ,
GTIN (EAN)	4050118144727	
Qty.	20 pc(s).	

Automation Products - u-remote IP20 UR20-2CNT-100

Weidmüller Interface GmbH & Co. KG
 Klingenbergstraße 26
 D-32758 Detmold
 Germany
 Fon: +49 5231 14-0
 Fax: +49 5231 14-292083
 www.weidmueller.com

Accessories

Custom printing



The Dekafix (DEK) marker is the universal marker for all conductor and plug-in connectors as well as for electronic sub-assemblies. The system is ideal for short number sequences and covers a wide range of ready-printed markers.

Strips for fast installation in only one work step. The printing is easy to read, rich in contrast and available in various widths.

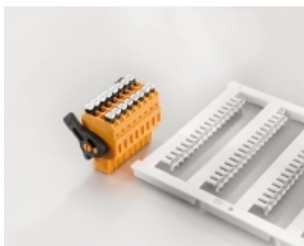
- Large range of ready-to-use markers
- Strips for fast installation
- Terminal markers, suitable for all Weidmüller cable connectors
- Available as blank MultiCard or with standard printing

For custom printing: Please send us a file of our labeling software M-Print PRO or M-Print PRO Online (without installation) for your labeling specifications.

General ordering data

Type	DEK 5/8-11.5 MC SDR	Version	
Order No.	1341610000		Dekafix, Terminal marker, 5 x 8 mm, Pitch in mm (P): 8.00
GTIN (EAN)	4050118146059		Weidmueller, To customer specification
Qty.	100 pc(s).		

Custom printing



Weidmüller has established new market standards with its MultiCard product line. This system is being continually extended with over 200 variants and by consistently extending the portfolio.

For custom printing: Please send us a file of our labeling software M-Print PRO or M-Print PRO Online (without installation) for your labeling specifications.

General ordering data

Type	PM 2.7/2.6 MC SDR	Version	
Order No.	1323700000		OMNIMATE Signal - series PM, Pusher markers, 2.7 x 2.6 mm, Pitch in
GTIN (EAN)	4050118126761		mm (P): 3.50 Weidmueller, To customer specification
Qty.	192 pc(s).		

Automation Products - u-remote IP20 UR20-2CNT-100

Weidmüller Interface GmbH & Co. KG
Klingenbergstraße 26
D-32758 Detmold
Germany
Fon: +49 5231 14-0
Fax: +49 5231 14-292083
www.weidmueller.com

Accessories

TS 35



General ordering data

Type	TS 35X7.5/LL 2M/ST/SZ	Version
Order No.	7915060000	Rail, TS 35, TS 35 x 7.5, with slot, Steel, galvanic zinc plated and passivated
GTIN (EAN)	4032248296279	
Qty.	2 m	
Type	TS 35X7.5 2M/ST/ZN	Version
Order No.	0383400000	Rail, TS 35, TS 35 x 7.5, without slot, Steel, galvanic zinc plated and passivated
GTIN (EAN)	4008190088026	
Qty.	2 m	
Type	TS 35X7.5/LL 2M/ST/ZN	Version
Order No.	0514500000	Rail, TS 35, TS 35 x 7.5, with slot, Steel, galvanic zinc plated and passivated
GTIN (EAN)	4008190046019	
Qty.	2 m	
Type	TS 35X7.5/LL 1M/ST/ZN	Version
Order No.	0514510000	Rail, TS 35, TS 35 x 7.5, with slot, Steel, galvanic zinc plated and passivated
GTIN (EAN)	4008190116620	
Qty.	1 m	
Type	TS 35X7.5 2M/CRN	Version
Order No.	1747350000	Rail, TS 35, TS 35 x 7.5, without slot, Stainless steel, rust-proof, untreated
GTIN (EAN)	4032248003372	
Qty.	2 m	
Type	TS 35X7.5 2M/AL/BK	Version
Order No.	0330800000	Rail, TS 35, TS 35 x 7.5, without slot, Aluminium, untreated
GTIN (EAN)	4008190100650	
Qty.	2 m	

**Automation Products - u-remote IP20
UR20-2CNT-100**

Weidmüller Interface GmbH & Co. KG
Klingenbergstraße 26
D-32758 Detmold
Germany
Fon: +49 5231 14-0
Fax: +49 5231 14-292083
www.weidmueller.com

Accessories

Blank



The Dekafix (DEK) marker is the universal marker for all conductor and plug-in connectors as well as for electronic sub-assemblies. The system is ideal for short number sequences and covers a wide range of ready-printed markers.

Strips for fast installation in only one work step. The printing is easy to read, rich in contrast and available in various widths.

- Large range of ready-to-use markers
- Strips for fast installation
- Terminal markers, suitable for all Weidmüller cable connectors
- Available as blank MultiCard or with standard printing

For custom printing: Please send us a file of our labeling software M-Print PRO or M-Print PRO Online (without installation) for your labeling specifications.

General ordering data

Type	DEK 5/8-11.5 MC NE WS	Version	
Order No.	1341630000	Dekafix, Terminal marker, 5 x 8 mm, Pitch in mm (P): 8.00	
GTIN (EAN)	4050118145946	Weidmueller, white	
Qty.	500 pc(s).		