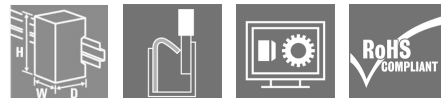


Automation Products - u-remote IP20 UR20-4RO-SSR-255

Weidmüller Interface GmbH & Co. KG
Klingenbergstraße 26
D-32758 Detmold
Germany
Fon: +49 5231 14-0
Fax: +49 5231 14-292083
www.weidmueller.com

Product image



P- or N-switching; short-circuit-proof; up to 3-wire +FE

Digital output modules are available in the following variants: 4DO, 8DO with 2-wire technology, 16DO with or without PLC interface connection. They are used primarily for incorporating decentralised actuators. The digital output modules are available as P- or N-switching variant. All outputs are designed for DC-13 actuators acc. to DIN EN 60947-5-1 and IEC 61131-2 specifications. Just like the digital input modules, frequencies of up to 1 kHz are possible. Maximum system safety is ensured by protecting the outputs. This consists of an automatic restart following a short-circuit. Clearly recognisable LEDs also signal the status of the entire module as well as individual channels.

In addition to the standard applications of the digital output modules, the portfolio also includes special variants, such as the 4RO-SSR module for rapidly switching applications. Fitted with solid state technology, 0.5 A is available for each

output. Furthermore, there is also the 4RO-CO relay module for power-intensive applications. This is equipped with four change-over contacts, optimised for a switching voltage of 277 V AC and designed for a switching current of 6 A. To serve negative switching requirements there is a parameterisable version of the 4-DO Module.

The module electronics supply the connected actuators from the output current path (UOUT).

General ordering data

Type	UR20-4RO-SSR-255
Order No.	1315540000
Version	Remote I/O module, IP20, Digital signals, Output, Relay
GTIN (EAN)	4050118118445
Qty.	1 pc(s).

**Automation Products - u-remote IP20
UR20-4RO-SSR-255**

Weidmüller Interface GmbH & Co. KG
 Klingenbergstraße 26
 D-32758 Detmold
 Germany
 Fon: +49 5231 14-0
 Fax: +49 5231 14-292083
 www.weidmueller.com

Technical data**Dimensions and weights**

Width	11.5 mm	Width (inches)	0.453 inch
Height	120 mm	Height (inches)	4.724 inch
Depth	76 mm	Depth (inches)	2.992 inch
Mounting dimension - height	128 mm	Net weight	85 g

Temperatures

Operating temperature, max.	60 °C	Operating temperature, min.	-20 °C
Storage temperature, max.	85 °C	Storage temperature, min.	-40 °C
Operating temperature	-20 °C ... +60 °C	Storage temperature	-40 °C ... +85 °C

Environmental Product Compliance

REACH SVHC Lead 7439-92-1

digital outputs

Feedback-free	Yes	Individual channel diagnosis	No
Max. response time, high	10 ms	Max. response time, low	10 ms
Max. switching frequency	40 Hz	Module diagnosis	Yes
Number	4	Output current per channel, max.	1 A
Output current per channel, min.	50 mA	Output current per module, max.	4 A
Short-circuit-proof	No	Switching voltage, max.	255 V AC, UL: 277 V AC
Type	SSR / Triac		

Connection data

Type of connection	PUSH IN	Wire connection cross section, finely stranded, max.	1.5 mm ²
Wire connection cross-section, finely stranded, min.	0.14 mm ²	Wire cross-section, finely stranded, max. (AWG)	AWG 16
Wire cross-section, finely stranded, min. (AWG)	AWG 26	Wire cross-section, solid, max.	1.5 mm ²
Wire cross-section, solid, max. (AWG)	AWG 16	Wire cross-section, solid, min.	0.14 mm ²
Wire cross-section, solid, min. (AWG)	AWG 26		

General data

Air humidity (operation)	10% to 95%, non-condensing as per DIN EN 61131-2	Air humidity (storage)	10% to 95%, non-condensing as per DIN EN 61131-2
Air humidity (transport)	10% to 95%, non-condensing as per DIN EN 61131-2	Air pressure (operation)	≥ 795 hPa (height ≤ 2000 m) as per DIN EN 61131-2
Air pressure (storage)	1013 hPa (height 0 m) to 700 hPa (height 3000 m) as per DIN EN 61131-2	Air pressure (transport)	1013 hPa (height 0 m) to 700 hPa (height 3000 m) as per DIN EN 61131-2
Pollution severity	2	Shock	15 g over 11 ms, half sinus wave, acc. to IEC 60068-2-27
Surge voltage category	II	Test voltage	500 V
UL 94 flammability rating	V-0	Vibration resistance	5 Hz ≤ f ≤ 8.4 Hz: 3.5-mm amplitude as per IEC 60068-2-6, 8.4 Hz ≤ f ≤ 150 Hz: 1 g acceleration as per IEC 60068-2-6

Creation date May 3, 2020 1:36:38 AM CEST

Catalogue status 17.04.2020 / We reserve the right to make technical changes.

Automation Products - u-remote IP20 UR20-4RO-SSR-255

Weidmüller Interface GmbH & Co. KG
Klingenbergstraße 26
D-32758 Detmold
Germany
Fon: +49 5231 14-0
Fax: +49 5231 14-292083
www.weidmueller.com

Technical data

Power supply

Current consumption from I_{IN} (power segment of the field bus coupler), typ.	8 mA	Current consumption from I_{OUT} (the respective power segment)	< 15 mA
Voltage supply	24 V DC +20 %/ -15 %, via the system bus		

System data

Diagnostic data	1 Bit	Field bus protocol	CANopen, DeviceNet, EtherCAT, EtherNet/IP, Modbus/TCP, PROFINET IRT, PROFIBUS DP-V1, POWERLINK
Galvanic isolation	500 V DC between the current paths	Interface	u-remote system bus
Module type	Digital output module	Possible connection	Single-conductor, 2-wire
Process data	4 Bit	Transmission speed of system bus, max.	48 Mbit

Classifications

ETIM 6.0	EC001597	ETIM 7.0	EC001597
eClass 9.0	27-24-26-02	eClass 9.1	27-24-26-02
eClass 10.0	27-24-26-02		

Approvals

Approvals



ROHS Conform

Downloads

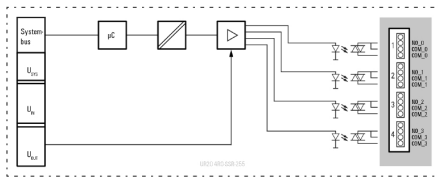
Approval/Certificate/Document of Conformity	Declaration of Conformity Compass safe distance certificate Lloyds Register certificate DNV/GL certificate ABS certificate RINA certificate Bureau Veritas - Type Approval Certificate PRS (Polish Register of Shipping) NIPPON KAIJI KYOKAI Certificate
Engineering Data	EPLAN, WSCAD, Zuken E3.S
Engineering Data	STEP
User Documentation	MAN U-REMOTE DE MAN U-REMOTE EN

**Automation Products - u-remote IP20
UR20-4RO-SSR-255**

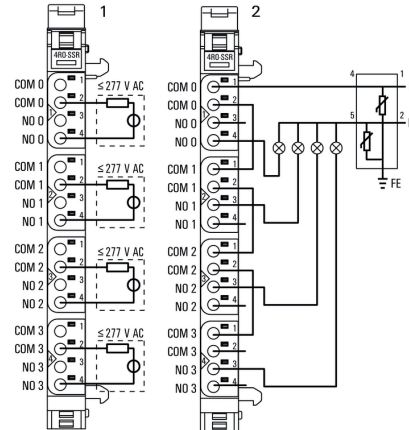
Weidmüller Interface GmbH & Co. KG
 Klingenbergstraße 26
 D-32758 Detmold
 Germany
 Fon: +49 5231 14-0
 Fax: +49 5231 14-292083
 www.weidmueller.com

Drawings

Block diagram



Connection diagram

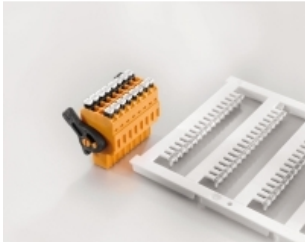


**Automation Products - u-remote IP20
UR20-4RO-SSR-255**

Weidmüller Interface GmbH & Co. KG
Klingenbergstraße 26
D-32758 Detmold
Germany
Fon: +49 5231 14-0
Fax: +49 5231 14-292083
www.weidmueller.com

Accessories

Blank



Weidmüller has established new market standards with its MultiCard product line. This system is being continually extended with over 200 variants and by consistently extending the portfolio.

For custom printing: Please send us a file of our labeling software M-Print PRO or M-Print PRO Online (without installation) for your labeling specifications.

General ordering data

Type	PM 2.7/2.6 MC NE WS	Version
Order No.	1323710000	OMNIMATE Signal - series PM, Pusher markers, 2.7 x 2.6 mm, Pitch in
GTIN (EAN)	4050118126778	mm (P): 3.50 Weidmueller, white
Qty.	960 pc(s).	

Accessories



Potential-distribution modules; system accessory

A wide range of accessory modules is available for individual requirements of machine and plant engineering. Various potential distribution modules are available for the supply of sensors with 2- to 4-wire connection technology directly from the remote I/O system. These offer 16 "PUSH IN" potential points and supply your application with any auxiliary potential available. An empty module, where the system bus and voltage supply are looped through, allows you to plan expansion slots in a system and to start these up without any interruptions if required.

General ordering data

Type	UR20-EBK-ACC	Version
Order No.	1346610000	End bracket, ,
GTIN (EAN)	4050118151596	
Qty.	5 pc(s).	
Type	UR20-SM-ACC	Version
Order No.	1339920000	Cover, ,
GTIN (EAN)	4050118144727	
Qty.	20 pc(s).	

Automation Products - u-remote IP20 UR20-4RO-SSR-255

Weidmüller Interface GmbH & Co. KG
 Klingenbergstraße 26
 D-32758 Detmold
 Germany
 Fon: +49 5231 14-0
 Fax: +49 5231 14-292083
 www.weidmueller.com

Accessories

Custom printing



The Dekafix (DEK) marker is the universal marker for all conductor and plug-in connectors as well as for electronic sub-assemblies. The system is ideal for short number sequences and covers a wide range of ready-printed markers.

Strips for fast installation in only one work step. The printing is easy to read, rich in contrast and available in various widths.

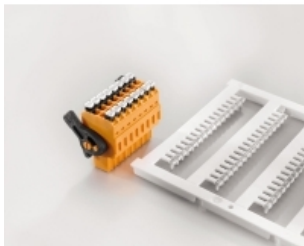
- Large range of ready-to-use markers
- Strips for fast installation
- Terminal markers, suitable for all Weidmüller cable connectors
- Available as blank MultiCard or with standard printing

For custom printing: Please send us a file of our labeling software M-Print PRO or M-Print PRO Online (without installation) for your labeling specifications.

General ordering data

Type	DEK 5/8-11.5 MC SDR	Version
Order No.	1341610000	Dekafix, Terminal marker, 5 x 8 mm, Pitch in mm (P): 8.00
GTIN (EAN)	4050118146059	Weidmueller, To customer specification
Qty.	100 pc(s).	

Custom printing



Weidmüller has established new market standards with its MultiCard product line. This system is being continually extended with over 200 variants and by consistently extending the portfolio.

For custom printing: Please send us a file of our labeling software M-Print PRO or M-Print PRO Online (without installation) for your labeling specifications.

General ordering data

Type	PM 2.7/2.6 MC SDR	Version
Order No.	1323700000	OMNIMATE Signal - series PM, Pusher markers, 2.7 x 2.6 mm, Pitch in
GTIN (EAN)	4050118126761	mm (P): 3.50 Weidmueller, To customer specification
Qty.	192 pc(s).	

Automation Products - u-remote IP20 UR20-4RO-SSR-255

Weidmüller Interface GmbH & Co. KG
Klingenbergstraße 26
D-32758 Detmold
Germany
Fon: +49 5231 14-0
Fax: +49 5231 14-292083
www.weidmueller.com

Accessories

TS 35



General ordering data

Type	TS 35X7.5/LL 2M/ST/SZ	Version
Order No.	7915060000	Rail, TS 35, TS 35 x 7.5, with slot, Steel, galvanic zinc plated and passivated
GTIN (EAN)	4032248296279	
Qty.	2 m	
Type	TS 35X7.5 2M/ST/ZN	Version
Order No.	0383400000	Rail, TS 35, TS 35 x 7.5, without slot, Steel, galvanic zinc plated and passivated
GTIN (EAN)	4008190088026	
Qty.	2 m	
Type	TS 35X7.5/LL 2M/ST/ZN	Version
Order No.	0514500000	Rail, TS 35, TS 35 x 7.5, with slot, Steel, galvanic zinc plated and passivated
GTIN (EAN)	4008190046019	
Qty.	2 m	
Type	TS 35X7.5/LL 1M/ST/ZN	Version
Order No.	0514510000	Rail, TS 35, TS 35 x 7.5, with slot, Steel, galvanic zinc plated and passivated
GTIN (EAN)	4008190116620	
Qty.	1 m	
Type	TS 35X7.5 2M/CRN	Version
Order No.	1747350000	Rail, TS 35, TS 35 x 7.5, without slot, Stainless steel, rust-proof, untreated
GTIN (EAN)	4032248003372	
Qty.	2 m	
Type	TS 35X7.5 2M/AL/BK	Version
Order No.	0330800000	Rail, TS 35, TS 35 x 7.5, without slot, Aluminium, untreated
GTIN (EAN)	4008190100650	
Qty.	2 m	

**Automation Products - u-remote IP20
UR20-4RO-SSR-255**

Weidmüller Interface GmbH & Co. KG
Klingenbergstraße 26
D-32758 Detmold
Germany
Fon: +49 5231 14-0
Fax: +49 5231 14-292083
www.weidmueller.com

Accessories

Blank



The Dekafix (DEK) marker is the universal marker for all conductor and plug-in connectors as well as for electronic sub-assemblies. The system is ideal for short number sequences and covers a wide range of ready-printed markers.

Strips for fast installation in only one work step. The printing is easy to read, rich in contrast and available in various widths.

- Large range of ready-to-use markers
- Strips for fast installation
- Terminal markers, suitable for all Weidmüller cable connectors
- Available as blank MultiCard or with standard printing

For custom printing: Please send us a file of our labeling software M-Print PRO or M-Print PRO Online (without installation) for your labeling specifications.

General ordering data

Type	DEK 5/8-11.5 MC NE WS	Version	
Order No.	1341630000	Dekafix, Terminal marker, 5 x 8 mm, Pitch in mm (P): 8.00	
GTIN (EAN)	4050118145946	Weidmueller, white	
Qty.	500 pc(s).		