

## Klippon POK (polyester empty enclosure) KLIPPON POK 080806 EX

**Weidmüller Interface GmbH & Co. KG**  
Klingenbergstraße 26  
D-32758 Detmold  
Germany  
Fon: +49 5231 14-0  
Fax: +49 5231 14-292083  
www.weidmueller.com



### Klippon® POK – polyester enclosure

The glass-fibre reinforced polyester enclosures of the Klippon® POK range offer a high-quality solution for protecting electrical components. These enclosures are ideal wherever corrosion resistance, shock resistance and a high degree of protection are required.

#### Features:

- glass-fibre reinforced polyester
- 17 sizes
- Two standard colours: grey (similar to RAL 7001) and black (similar to RAL 9011)
- Cover with stainless steel screws in cross-head / slotted design
- Moulded gasket made of silicone or chloroprene
- Fixing holes outside the sealed area
- Mounting directly in the enclosure or using an internal mounting plate
- Direct wall mounting possible using fixing holes or mounting feet
- Fastening thread to attach mounting rails and plates
- Weidmüller can manufacture and supply this enclosure to match customer specifications - fitted with all necessary terminals and cable glands.

### General ordering data

Type	KLIPPON POK 080806 EX
Order No.	<a href="#">1306000000</a>
Version	Klippon POK (polyester empty enclosure), Empty enclosure, Height: 75 mm, Width: 80 mm, Depth: 55 mm, Material: Glass fibre-reinforced polyester, untreated, polished, black
GTIN (EAN)	4050118108439
Qty.	1 pc(s).
Required tool	<a href="#">9008540000</a>

## Klippon POK (polyester empty enclosure) KLIPPON POK 080806 EX

**Weidmüller Interface GmbH & Co. KG**  
Klingenbergstraße 26  
D-32758 Detmold  
Germany  
Fon: +49 5231 14-0  
Fax: +49 5231 14-292083  
www.weidmueller.com

## Technical data

### Dimensions and weights

Width	80 mm	Width (inches)	3.15 inch
Height	75 mm	Height (inches)	2.953 inch
Height of lowest version	55 mm	Depth	55 mm
Depth (inches)	2.165 inch	Mounting dimension - width	68 mm
Mounting dimension - height	45 mm	Net weight	289 g

### Cable glands, left

M12	1	M16	1
M20	1		

### Cable glands, right

M12	1	M16	1
M20	1		

### Cable glands, top/bottom

M12	4	M16	2
M20	1	M25	1

### Certificate numbers enclosure

Certificate no. empty enclosure (ATEX)	IBExU13ATEX1030 U	Certificate no. empty enclosure (IECEX)	IECEX IBE 13.0003U
Certificate no., assembled enclosure (EAC)	RU C-DE.ГБ08.B.01328	Certificate no., empty enclosure (EAC)	RU C-DE.ГБ08.B.00472
Certificate no. assembled enclosure (AEx)	E223792	Certificate no. empty enclosure (AEx)	E223792
Certificate no., assembled enclosure (KOSHA)	16-AV4BO-0246X	Certificate No. (GERMLLOYD)	TAE00002R2
Certificate No. (MARITREG)	19.00109.272	Certificate no. (cULus)	E256877

### General information

Areas of use	Explosive risk zone, Harbour facilities, Machine construction, Process industry, Transportation	Installation advice	Direct mounting, Mounting straps
Material thickness	4.29 mm	Material thickness of cover	3.6 mm
Material thickness of enclosure	4.29 mm	Standards	DIN EN 62208 - Empty enclosure standard, IEC 60079-0, IEC 60079-7, IEC 60079-31
Torque for lid screws	2.5 Nm	UL 94 flammability rating	V-0
Material	Glass fibre-reinforced polyester	Seal material	Silicone
Surface finish	untreated, polished	Operating temperature, min.	-55 °C
Operating temperature, max.	100 °C	Impact resistance	7 J ATEX version
Protection degree	IP66	Enclosure attachment	Installation through the housing rear wall, Fixing lugs
Lid attachment	Slotted/Phillips screws		

## Klippon POK (polyester empty enclosure) KLIPPON POK 080806 EX

**Weidmüller Interface GmbH & Co. KG**  
Klingenbergstraße 26  
D-32758 Detmold  
Germany  
Fon: +49 5231 14-0  
Fax: +49 5231 14-292083  
www.weidmueller.com

## Technical data

### General information on accessories

Material	Glass fibre-reinforced polyester	Material thickness	4.29 mm
Mounting dimension - height	45 mm	Mounting dimension - width	68 mm
Surface finish	untreated, polished		

### horizontal assembly

WDU 2,5 / ZDU 2,5 / IDU 2,5	1x5	WDU 4 / ZDU 4	1x4
-----------------------------	-----	---------------	-----

### vertical assembly

WDU 2,5 / ZDU 2,5 / IDU 2,5	1x1*	WDU 4 / ZDU 4	1x1*
-----------------------------	------	---------------	------

### Classifications

ETIM 6.0	EC002503	ETIM 7.0	EC002503
eClass 9.0	27-18-05-02	eClass 9.1	27-18-05-02
eClass 10.0	27-18-05-02		

### Approvals

Approvals



ROHS	Conform
------	---------

### Downloads

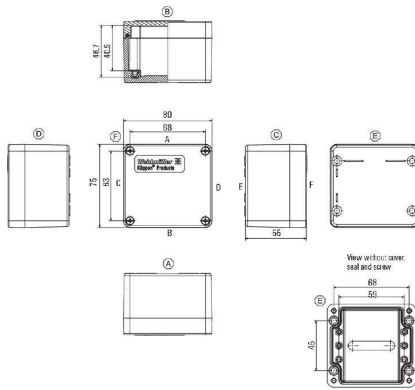
Approval/Certificate/Document of Conformity	<a href="#">Attestation of Conformity - Klippon POK Empty Enclosures - AoC DE PS2600 160308 001ISS01</a> <a href="#">EU Declaration of Conformity - Klippon POK Empty Enclosures Ex - DoC DE PS2600 160412 001ISS01</a>
Brochure/Catalogue	<a href="#">MB OVERV. PROCESS WD DE</a> <a href="#">MB KLIPPON ENCL.TECN EN</a> <a href="#">MB PROCESS EN</a> <a href="#">CAT 5 ENCL 17/18 EN</a> <a href="#">FL KLIPPON POK EN</a> <a href="#">FL SHIPBUILDING 2016 EN</a>
Engineering Data	<a href="#">EPLAN.WSCAD</a>
Engineering Data	<a href="#">STEP</a>
Tender specification	<a href="#">Klippon POK 080806 Ex_1306000000_DE</a> <a href="#">Klippon POK 080806 Ex_1306000000_EN</a>
User Documentation	<a href="#">MB KLIPPON ENCL.TECN DE</a> <a href="#">Assembly guidelines - empty enclosures</a>

**Data sheet**

**Klippon POK (polyester empty enclosure)  
KLIPPON POK 080806 EX**

**Weidmüller Interface GmbH & Co. KG**  
Klingenbergstraße 26  
D-32758 Detmold  
Germany  
Fon: +49 5231 14-0  
Fax: +49 5231 14-292083  
www.weidmueller.com

**Drawings**



**Klippon POK (polyester empty enclosure)  
KLIPPON POK 080806 EX**

**Weidmüller Interface GmbH & Co. KG**  
Klingenbergstraße 26  
D-32758 Detmold  
Germany  
Fon: +49 5231 14-0  
Fax: +49 5231 14-292083  
www.weidmueller.com

**Accessories**
**TS 15**

**Integrate, expand and customise - the perfect supplement to every application**

The consistent structure of system accessories for the Klippon® POK enclosure range allows you to easily adapt the enclosure to meet the specific requirements of every application.

The range includes:

- Mounting plates
- Earthing plates
- Mounting feet

Our assembly service includes the delivery of the enclosure ready to be connected and suitable for every application.

**General ordering data**

Type	TS15X5 ST POK 0808	Version
Order No.	<a href="#">8000003889</a>	Rail, TS 15, Length: 68 mm, without slot, Steel, galvanized, chromium-plated
GTIN (EAN)	4050118652543	
Qty.	20 pc(s).	

**Klippon® POK installation material**

**Integrate, expand and customise - the perfect supplement to every application**

The consistent structure of system accessories for the Klippon® POK enclosure range allows you to easily adapt the enclosure to meet the specific requirements of every application.

The range includes:

- Mounting plates
- Earthing plates
- Mounting feet

Our assembly service includes the delivery of the enclosure ready to be connected and suitable for every application.

**General ordering data**

Type	SD FIXING SET POK	Version
Order No.	<a href="#">1463490000</a>	Klippon POK (polyester empty enclosure), Identification plate fixing set
GTIN (EAN)	4050118299878	
Qty.	1 pc(s).	

## Klippon POK (polyester empty enclosure) KLIPPON POK 080806 EX

**Weidmüller Interface GmbH & Co. KG**  
 Klingenbergstraße 26  
 D-32758 Detmold  
 Germany  
 Fon: +49 5231 14-0  
 Fax: +49 5231 14-292083  
 www.weidmueller.com

## Accessories

Type	TPSD FIXING SET POK	Version
Order No.	<a href="#">1435840000</a>	Klippon POK (polyester empty enclosure), Type plate fixings set,
GTIN (EAN)	4050118240771	Material: Stainless steel, rust-proof, untreated
Qty.	1 pc(s).	

### Klippon® POK mounting plates



#### Mounting plates for Klippon® POK enclosures

Mounting plates made out of 2 mm sheet steel, for longitudinal and transverse mounting of DIN rails, or for mounting components directly onto the mounting plate.

#### General ordering data

Type	POK MOPL 0808	Version
Order No.	<a href="#">9510570000</a>	Klippon POK (polyester empty enclosure), Mounting plate, Height: 64
GTIN (EAN)	4032248415274	mm, Width: 69 mm, Depth: 1.5 mm, Material: Sheet steel, galvanized,
Qty.	1 pc(s).	galvanized, silver

### Klippon® POK earthing stud



#### Integrate, expand and customise - the perfect supplement to every application

The consistent structure of system accessories for the Klippon® POK enclosure range allows you to easily adapt the enclosure to meet the specific requirements of every application.

The range includes:

- Mounting plates
- Earthing plates
- Mounting feet

Our assembly service includes the delivery of the enclosure ready to be connected and suitable for every application.

#### General ordering data

Type	PEBZ M10 S4 SET	Version
Order No.	<a href="#">1283440000</a>	Klippon POK (polyester empty enclosure), Earthing stud,
GTIN (EAN)	4050118073362	Miscellaneous, Material: Stainless steel 1.4404 (316L)
Qty.	1 pc(s).	
Type	PEBZ M6 BR SET	Version
Order No.	<a href="#">1277250000</a>	Klippon POK (polyester empty enclosure), Earthing stud,
GTIN (EAN)	4050118067149	Miscellaneous, Material: Brass
Qty.	1 pc(s).	

## Klippon POK (polyester empty enclosure) KLIPPON POK 080806 EX

**Weidmüller Interface GmbH & Co. KG**  
Klingenbergstraße 26  
D-32758 Detmold  
Germany  
Fon: +49 5231 14-0  
Fax: +49 5231 14-292083  
www.weidmueller.com

### Accessories

Type	PEBZ M6 S4 SET	Version
Order No.	<a href="#">1283430000</a>	Klippon POK (polyester empty enclosure), Earthing stud,
GTIN (EAN)	4050118073607	Miscellaneous, Material: Stainless steel 1.4404 (316L)
Qty.	1 pc(s).	
Type	PEBZ M10 BR SET	Version
Order No.	<a href="#">1277220000</a>	Klippon POK (polyester empty enclosure), Earthing stud,
GTIN (EAN)	4050118067019	Miscellaneous, Material: Brass
Qty.	1 pc(s).	

### Klippon® POK mounting plates for applications with earthing plates



#### Integrate, expand and customise - the perfect supplement to every application

The consistent structure of system accessories for the Klippon® POK enclosure range allows you to easily adapt the enclosure to meet the specific requirements of every application.

The range includes:

- Mounting plates
- Earthing plates
- Mounting feet

Our assembly service includes the delivery of the enclosure ready to be connected and suitable for every application.

#### General ordering data

Type	POK MOPL 0808 MINI	Version
Order No.	<a href="#">1534280000</a>	Klippon POK (polyester empty enclosure), Mounting plate, Height: 68
GTIN (EAN)	4050118338058	mm, Width: 34 mm, Depth: 1.5 mm, Material: Sheet steel, galvanized,
Qty.	1 pc(s).	galvanized, silver

### Klippon® POK earthing plates



#### Brass earthing plates (Earth Continuity Plate) for the Klippon® POK enclosure

In order to provide internal earthing (especially for the Ex version) earth continuity plates in an angled design are available for the Klippon® POK enclosure.

These internal earth continuity plates are for the usage of metal glands and the design of EMC applications; they offer enhanced protection and are available separately.

#### General ordering data

Type	KLIPPON COPL 080806	Version
Order No.	<a href="#">1390910000</a>	Klippon POK (polyester empty enclosure), Earthing plate, Width: 32.5
GTIN (EAN)	4050118191073	mm, Material: Brass, polished, untreated
Qty.	1 pc(s).	

**Klippon POK (polyester empty enclosure)  
KLIPPON POK 080806 EX**

**Weidmüller Interface GmbH & Co. KG**  
Klingenbergstraße 26  
D-32758 Detmold  
Germany  
Fon: +49 5231 14-0  
Fax: +49 5231 14-292083  
www.weidmueller.com

**Accessories**

**Klippon® POK mounting feet**



**Mounting feet for Klippon® POK enclosure**

Rear-wall mounting directly onto the wall is possible with the aid of fixing holes.  
The mounting feet make it easy to mount the enclosure from outside without having to open the cover.  
The mounting feet are available as accessories in two versions.

**General ordering data**

Type	MF POK SMALL	Version
Order No.	<a href="#">9510900000</a>	Klippon POK (polyester empty enclosure), Mounting foot, Fixing lugs,
GTIN (EAN)	4032248009749	Material: Stainless steel 1.4301, Miscellaneous
Qty.	1 pc(s).	