

Klippon POK (polyester empty enclosure) KLIPPON POK 122209

Weidmüller Interface GmbH & Co. KG
Klingenbergstraße 26
D-32758 Detmold
Germany
Fon: +49 5231 14-0
Fax: +49 5231 14-292083
www.weidmueller.com



Klippon® POK – polyester enclosure

The glass-fibre reinforced polyester enclosures of the Klippon® POK range offer a high-quality solution for protecting electrical components. These enclosures are ideal wherever corrosion resistance, shock resistance and a high degree of protection are required.

Features:

- glass-fibre reinforced polyester
- 17 sizes
- Two standard colours: grey (similar to RAL 7001) and black (similar to RAL 9011)
- Cover with stainless steel screws in cross-head / slotted design
- Moulded gasket made of silicone or chloroprene
- Fixing holes outside the sealed area
- Mounting directly in the enclosure or using an internal mounting plate
- Direct wall mounting possible using fixing holes or mounting feet
- Fastening thread to attach mounting rails and plates
- Weidmüller can manufacture and supply this enclosure to match customer specifications - fitted with all necessary terminals and cable glands.

General ordering data

Type	KLIPPON POK 122209
Order No.	1305880000
Version	Klippon POK (polyester empty enclosure), Empty enclosure, Height: 120 mm, Width: 220 mm, Depth: 90 mm, Material: Glass fibre-reinforced polyester, untreated, polished, Silver grey
GTIN (EAN)	4050118108316
Qty.	1 pc(s).
Required tool	9008540000

**Klippon POK (polyester empty enclosure)
KLIPPON POK 122209**

Weidmüller Interface GmbH & Co. KG
Klingenbergstraße 26
D-32758 Detmold
Germany
Fon: +49 5231 14-0
Fax: +49 5231 14-292083
www.weidmueller.com

Technical data
Dimensions and weights

Width	220 mm	Width (inches)	8.661 inch
Height	120 mm	Height (inches)	4.724 inch
Height of lowest version	90 mm	Depth	90 mm
Depth (inches)	3.543 inch	Mounting dimension - width	204 mm
Mounting dimension - height	82 mm	Net weight	1,094 g

Cable glands, left

M12	8	M16	4
M20	3	M25	1
M32	1		

Cable glands, right

M12	8	M16	4
M20	3	M25	1
M32	1		

Cable glands, top/bottom

M12	24	M16	14
M20	12	M25	5
M32	4	M40	3

Certificate numbers enclosure

Certificate no., assembled enclosure (EAC)	RU C-DE.ГБ08.В.01328	Certificate no., empty enclosure (EAC)	RU C-DE.ГБ08.В.00472
Certificate No. (GERMLLOYD)	TAE00002R2	Certificate no. (cULus)	E256877

General information

Areas of use	Harbour facilities, Machine construction, Process industry, Transportation	Installation advice	Direct mounting, Mounting straps
Material thickness	4.39 mm	Material thickness of cover	5 mm
Material thickness of enclosure	4.39 mm	Standards	DIN EN 62208 - Empty enclosure standard
Torque for lid screws	2.5 Nm	UL 94 flammability rating	V-0
Material	Glass fibre-reinforced polyester	Seal material	Chloroprene
Surface finish	untreated, polished	Operating temperature, min.	-40 °C
Operating temperature, max.	100 °C	Impact resistance	IK 08 according to (IEC 62262 and DIN EN 50102)
Protection degree	IP66	Enclosure attachment	Installation through the housing rear wall, Fixing lugs
Lid attachment	Slotted/Phillips screws		

General information on accessories

Material	Glass fibre-reinforced polyester	Material thickness	4.39 mm
Mounting dimension - height	82 mm	Mounting dimension - width	204 mm
Surface finish	untreated, polished		

Creation date May 3, 2020 12:40:15 AM CEST

Klippon POK (polyester empty enclosure) KLIPPON POK 122209

Weidmüller Interface GmbH & Co. KG
Klingenbergstraße 26
D-32758 Detmold
Germany
Fon: +49 5231 14-0
Fax: +49 5231 14-292083
www.weidmueller.com

Technical data

horizontal assembly

WDU 10 / ZDU 10	1x15	WDU 16 / ZDU 16	1x13
WDU 2,5 / ZDU 2,5 / IDU 2,5	1x31	WDU 4 / ZDU 4	1x26
WDU 6 / ZDU 6	1x19		

vertical assembly

WDU 2,5 / ZDU 2,5 / IDU 2,5	*	WDU 4 / ZDU 4	*
-----------------------------	---	---------------	---

Classifications

ETIM 6.0	EC000261	ETIM 7.0	EC000261
eClass 9.0	27-18-01-01	eClass 9.1	27-18-92-90
eClass 10.0	27-18-01-01		

Approvals

Approvals



ROHS

Conform

Downloads

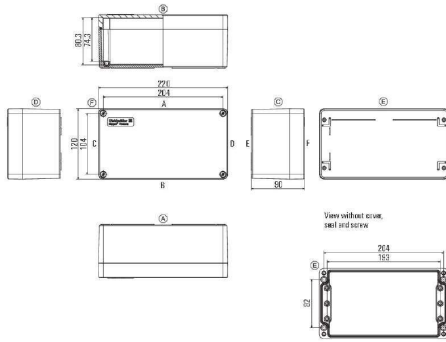
Approval/Certificate/Document of Conformity	EU Declaration of Conformity - Klippon POK Empty Enclosures IND - DoC DE PS2401 160412 001ISS01
Brochure/Catalogue	MB KLIPPON ENCL.TECN EN CAT 5 ENCL 17/18 EN FL KLIPPON POK EN FL SHIPBUILDING 2016 EN
Engineering Data	EPLAN, WSCAD
Engineering Data	STEP
Tender specification	Klippon POK 122209_1305880000_DE Klippon POK 122209_1305880000_EN
User Documentation	MB KLIPPON ENCL.TECN DE Assembly guidelines - empty enclosures

Data sheet

**Klippon POK (polyester empty enclosure)
KLIPPON POK 122209**

Weidmüller Interface GmbH & Co. KG
Klingenbergstraße 26
D-32758 Detmold
Germany
Fon: +49 5231 14-0
Fax: +49 5231 14-292083
www.weidmueller.com

Drawings



**Klippon POK (polyester empty enclosure)
KLIPPON POK 122209**

Weidmüller Interface GmbH & Co. KG
Klingenbergstraße 26
D-32758 Detmold
Germany
Fon: +49 5231 14-0
Fax: +49 5231 14-292083
www.weidmueller.com

Accessories
Klippon® POK installation material

Integrate, expand and customise - the perfect supplement to every application

The consistent structure of system accessories for the Klippon® POK enclosure range allows you to easily adapt the enclosure to meet the specific requirements of every application.

The range includes:

- Mounting plates
- Earthing plates
- Mounting feet

Our assembly service includes the delivery of the enclosure ready to be connected and suitable for every application.

General ordering data

Type	SD FIXING SET POK	Version
Order No.	1463490000	Klippon POK (polyester empty enclosure), Identification plate fixing set
GTIN (EAN)	4050118299878	
Qty.	1 pc(s).	

Klippon® POK mounting plates

Mounting plates for Klippon® POK enclosures

Mounting plates made out of 2 mm sheet steel, for longitudinal and transverse mounting of DIN rails, or for mounting components directly onto the mounting plate.

General ordering data

Type	POK MOPL 1222	Version
Order No.	9510600000	Klippon POK (polyester empty enclosure), Mounting plate, Height:
GTIN (EAN)	4008190498238	107 mm, Width: 207 mm, Depth: 1.5 mm, Material: Sheet steel,
Qty.	1 pc(s).	galvanized, Miscellaneous, silver

Klippon POK (polyester empty enclosure) KLIPPON POK 122209

Weidmüller Interface GmbH & Co. KG
Klingenbergstraße 26
D-32758 Detmold
Germany
Fon: +49 5231 14-0
Fax: +49 5231 14-292083
www.weidmueller.com

Accessories

Klippon® POK earthing stud



Integrate, expand and customise - the perfect supplement to every application

The consistent structure of system accessories for the Klippon® POK enclosure range allows you to easily adapt the enclosure to meet the specific requirements of every application.

The range includes:

- Mounting plates
- Earthing plates
- Mounting feet

Our assembly service includes the delivery of the enclosure ready to be connected and suitable for every application.

General ordering data

Type	PEBZ M10 S4 SET	Version
Order No.	1283440000	Klippon POK (polyester empty enclosure), Earthing stud,
GTIN (EAN)	4050118073362	Miscellaneous, Material: Stainless steel 1.4404 (316L)
Qty.	1 pc(s).	
Type	PEBZ M6 BR SET	Version
Order No.	1277250000	Klippon POK (polyester empty enclosure), Earthing stud,
GTIN (EAN)	4050118067149	Miscellaneous, Material: Brass
Qty.	1 pc(s).	
Type	PEBZ M6 S4 SET	Version
Order No.	1283430000	Klippon POK (polyester empty enclosure), Earthing stud,
GTIN (EAN)	4050118073607	Miscellaneous, Material: Stainless steel 1.4404 (316L)
Qty.	1 pc(s).	
Type	PEBZ M10 BR SET	Version
Order No.	1277220000	Klippon POK (polyester empty enclosure), Earthing stud,
GTIN (EAN)	4050118067019	Miscellaneous, Material: Brass
Qty.	1 pc(s).	

Klippon POK (polyester empty enclosure) KLIPPON POK 12209

Weidmüller Interface GmbH & Co. KG
 Klingenbergstraße 26
 D-32758 Detmold
 Germany
 Fon: +49 5231 14-0
 Fax: +49 5231 14-292083
 www.weidmueller.com

Accessories

TS 35



Integrate, expand and customise - the perfect supplement to every application

The consistent structure of system accessories for the Klippon® POK enclosure range allows you to easily adapt the enclosure to meet the specific requirements of every application.

The range includes:

- Mounting plates
- Earthing plates
- Mounting feet

Our assembly service includes the delivery of the enclosure ready to be connected and suitable for every application.

General ordering data

Type	TS35X7.5 ST POK 1222	Version
Order No.	8000037568	Terminal rails, Rail, Material: Steel
GTIN (EAN)	4050118678147	
Qty.	20 pc(s).	

Spacer



Integrate, expand and customise - the perfect supplement to every application

The fully structured range of system accessories for the new Klippon® TB enclosure series allows you to easily adapt the enclosures to meet the specific requirements of every application.

The following options are available:

- Document holders
- Flange plates
- Mounting plates
- Locking systems
- Type label holders
- Rain hoods
- Earthing studs

General ordering data

Type	SP M6 30 S2	Version
Order No.	0935140000	Klippon TB (Terminal Box), Spacer
GTIN (EAN)	4032248699117	
Qty.	4 pc(s).	
Type	SP M6 20 S2	Version
Order No.	0935130000	Klippon TB (Terminal Box), Spacer
GTIN (EAN)	4032248699001	
Qty.	4 pc(s).	

Klippon POK (polyester empty enclosure) KLIPPON POK 122209

Weidmüller Interface GmbH & Co. KG
 Klingenbergstraße 26
 D-32758 Detmold
 Germany
 Fon: +49 5231 14-0
 Fax: +49 5231 14-292083
 www.weidmueller.com

Accessories

Type	SP M6 15 S2	Version
Order No.	0935120000	Klippon TB (Terminal Box), Spacer
GTIN (EAN)	4032248699056	
Qty.	4 pc(s).	
Type	SP M6 10 S2	Version
Order No.	0935110000	Klippon TB (Terminal Box), Spacer
GTIN (EAN)	4032248699049	
Qty.	4 pc(s).	

Klippon® POK mounting plates for applications with earthing plates



Integrate, expand and customise - the perfect supplement to every application

The consistent structure of system accessories for the Klippon® POK enclosure range allows you to easily adapt the enclosure to meet the specific requirements of every application.

The range includes:

- Mounting plates
- Earthing plates
- Mounting feet

Our assembly service includes the delivery of the enclosure ready to be connected and suitable for every application.

General ordering data

Type	POK MOPL 1222 MINI	Version
Order No.	1534350000	Klippon POK (polyester empty enclosure), Mounting plate, Height:
GTIN (EAN)	4050118337990	77 mm, Width: 207 mm, Depth: 1.5 mm, Material: Sheet steel,
Qty.	1 pc(s).	galvanized, galvanized, silver

Klippon® POK earthing plates



Brass earthing plates (Earth Continuity Plate) for the Klippon® POK enclosure

In order to provide internal earthing (especially for the Ex version) earth continuity plates in an angled design are available for the Klippon® POK enclosure.

These internal earth continuity plates are for the usage of metal glands and the design of EMC applications; they offer enhanced protection and are available separately.

General ordering data

Type	KLIPPON COPL 122209	Version
Order No.	1390980000	Klippon POK (polyester empty enclosure), Earthing plate, Width: 57.5
GTIN (EAN)	4050118191080	mm, Material: Brass, polished, untreated
Qty.	1 pc(s).	

**Klippon POK (polyester empty enclosure)
KLIPPON POK 122209**

Weidmüller Interface GmbH & Co. KG
Klingenbergstraße 26
D-32758 Detmold
Germany
Fon: +49 5231 14-0
Fax: +49 5231 14-292083
www.weidmueller.com

Accessories
Klippon® POK mounting feet

Mounting feet for Klippon® POK enclosure

Rear-wall mounting directly onto the wall is possible with the aid of fixing holes.
The mounting feet make it easy to mount the enclosure from outside without having to open the cover.
The mounting feet are available as accessories in two versions.

General ordering data

Type	MF POK BIG	Version
Order No.	9510910000	Klippon POK (polyester empty enclosure), Mounting foot, Fixing lugs,
GTIN (EAN)	4032248009756	Material: Stainless steel 1.4301, Miscellaneous
Qty.	1 pc(s).	

Compensating Element


Pressure-compensation elements ensure good ventilation of the enclosure and prevent the build-up of condensation while maintaining the appropriate IP class of protection.

General ordering data

Type	DAE M12 PA LONG	Version
Order No.	1868570000	DAE (ventilation element), Compensating element, M 12, 10 mm,
GTIN (EAN)	4032248440429	IP66, IP68, IP69K, Polyamide 6
Qty.	10 pc(s).	
Type	DAE M12 SS	Version
Order No.	1868550000	DAE (ventilation element), Compensating element, M 12, 10 mm,
GTIN (EAN)	4032248440405	IP66, IP68, IP69K, Stainless steel 1.4305 (303)
Qty.	10 pc(s).	

**Klippon POK (polyester empty enclosure)
KLIPPON POK 122209**

Weidmüller Interface GmbH & Co. KG
Klingenbergstraße 26
D-32758 Detmold
Germany
Fon: +49 5231 14-0
Fax: +49 5231 14-292083
www.weidmueller.com

Accessories
Screwing

Klippon® Connect with clamping yoke Technology

The high reliability and variety of designs of the terminal blocks with clamping yoke connections make planning easier and optimises operational safety. Klippon® Connect provides a proven response to a range of different requirements.

General ordering data

Type	FKSC M5X8 D9/SW2.5	Version
Order No.	029590000	SAK Series, Allen hex screw, Screws, Number of poles: 1
GTIN (EAN)	4008190133337	
Qty.	50 pc(s).	

Spacer


For many years, the name Klippon® has stood for competence and quality in enclosures. The Klippon® EBi industrial enclosure series protects your components reliably if they are used in moderate environmental conditions and is designed for everyday applications. With the ever-increasing need for individual application solutions, the Klippon® EBi with its high degree of protection and impact resistance is ideally suited to your needs. Our standard product is the Klippon® EBi QL – with hinged door and double-bit key lock. A variant with mounting screws is also available, but is only manufactured on request and is subject to a minimum order quantity. DNV GL and cULus approvals are also available on request.

General ordering data

Type	SP M6 20 MSZN	Version
Order No.	389620000	Klippon EBi (Essential Box industrial), Spacer, silver
GTIN (EAN)	4008190850234	
Qty.	2 pc(s).	
Type	SP M6 15 MSZN	Version
Order No.	389610000	Klippon EBi (Essential Box industrial), Spacer, silver
GTIN (EAN)	4008190857851	
Qty.	2 pc(s).	
Type	SP M6 30 MSZN	Version
Order No.	389630000	Klippon EBi (Essential Box industrial), Spacer, silver
GTIN (EAN)	4008190850241	
Qty.	2 pc(s).	

**Klippon POK (polyester empty enclosure)
KLIPPON POK 122209**

Weidmüller Interface GmbH & Co. KG
Klingenbergstraße 26
D-32758 Detmold
Germany
Fon: +49 5231 14-0
Fax: +49 5231 14-292083
www.weidmueller.com

Accessories

TS 35



The Klippon® brand has long stood for competence and quality in housings – particularly when turnkey, customer-specific solutions for standard industrial applications and applications in explosive risk zones are concerned. Improved products that meet all application requirements: this was Weidmüller's aim when modernising and upgrading the Klippon® K enclosure series. No matter what kind of application the customer is planning; Weidmüller is able to provide a wide range of aluminium enclosures precisely fitting the customer's requirements.

General ordering data

Type	TS35X7.5 ST K51	Version
Order No.	8000003907	Rail, TS 35, TS 35 x 7.5, Length: 203 mm, without slot, Steel,
GTIN (EAN)	4050118652642	galvanized, chromium-plated
Qty.	20 pc(s).	