

SAIE-7/8B-3-0.2U-H**Weidmüller Interface GmbH & Co. KG**

Klingenbergstraße 26

D-32758 Detmold

Germany

Fon: +49 5231 14-0

Fax: +49 5231 14-292083

www.weidmueller.com



Various build-in connectors are required for the connections on the device side of the sensor/actuator cabling. These are available in the versions M12, M8 and M5.

General ordering data

Type	SAIE-7/8B-3-0.2U-H
Order No.	1292390000
Version	Built-in plugs, 7/8", 7/8", Number of poles: 3
GTIN (EAN)	4050118088519
Qty.	1 pc(s).

Creation date May 3, 2020 12:11:51 AM CEST

SAIE-7/8B-3-0.2U-H**Weidmüller Interface GmbH & Co. KG**

Klingenbergstraße 26

D-32758 Detmold

Germany

Fon: +49 5231 14-0

Fax: +49 5231 14-292083

www.weidmueller.com

Technical data**Dimensions and weights**

Net weight 70 g

Environmental Product Compliance

REACH SVHC Lead 7439-92-1

Standards

Certificate No. (cURus) E307231

General data

Cable glands	7/8"	Coding	none
Conductor O.D.	-	Connection thread	7/8"
Contact material	CuZn	Contact surface	Gold-plated
Core cross-section	0.75 mm ²	Housing main material	Zinc diecast, nickel-plated
Material	PUR/ PUR	Number of poles	3
Plugging cycles	≥ 100	Protection degree	IP67, when screwed in
Rated current	10 A	Rated current	8 A (4- and 5-pole), 10 A (3-pole)
Rated voltage	300 V	Rated voltage (text)	300 V
Strand / cable length	0.2 m	Temperature range of housing	-25...+85 °C
Type of connection	Socket connector		

Classifications

ETIM 6.0	EC002635	ETIM 7.0	EC003570
eClass 9.0	27-44-01-03	eClass 9.1	27-44-01-03
eClass 10.0	27-44-01-03		

Approvals

Approvals



ROHS Conform

Downloads
 Brochure/Catalogue [CAT 8 SAI 15/16 EN](#)
[FL FIELDWIRING EN](#)

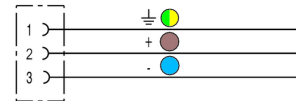
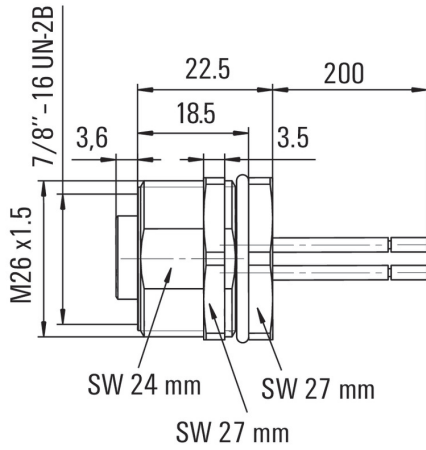
Data sheet

SAIE-7/8B-3-0.2U-H

Weidmüller Interface GmbH & Co. KG
 Klingenbergstraße 26
 D-32758 Detmold
 Germany
 Fon: +49 5231 14-0
 Fax: +49 5231 14-292083
 www.weidmueller.com

Drawings

Wiring diagram



Pole scheme

