

**SAI Passive**  
**SAI-12-F 3P M8 L 15M****Weidmüller Interface GmbH & Co. KG**  
Klingenbergstraße 26  
D-32758 Detmold  
Germany  
Fon: +49 5231 14-0  
Fax: +49 5231 14-292083  
www.weidmueller.com

The new slim M8 line from Weidmüller. This range of products is characterised by the marking options at all connection positions. Even the 4-way distributor with 8-pole M12 has adequately large markers at all M8 connection positions. Furthermore, this distributor is shorter than many conventional M8 designs.

- Very narrow, short and flat M8 distributor.
- The range is supplied with 4 to 12 M8 connection positions, 3 or 4 poles.
- Hybrid variants of the M8 are also possible on request.
- The M8 line is equipped with transverse holes.

**General ordering data**

Type	SAI-12-F 3P M8 L 15M
Order No.	<a href="#">1234890000</a>
Version	SAI Passive, Sensor-actuator passive distributor, M8, Fixed cable version, 15 m, Yes
GTIN (EAN)	4050118019513
Qty.	1 pc(s).

Creation date May 2, 2020 4:21:23 PM CEST

Catalogue status 17.04.2020 / We reserve the right to make technical changes.

**SAI Passive**  
**SAI-12-F 3P M8 L 15M**

**Weidmüller Interface GmbH & Co. KG**  
 Klingenbergstraße 26  
 D-32758 Detmold  
 Germany  
 Fon: +49 5231 14-0  
 Fax: +49 5231 14-292083  
 www.weidmueller.com

**Technical data****Dimensions and weights**

Width	24 mm	Width (inches)	0.945 inch
Height	196 mm	Height (inches)	7.717 inch
Depth	18.2 mm	Depth (inches)	0.717 inch
Net weight	1,448 g		

**Temperatures**

Operating temperature, max.	70 °C	Operating temperature, min.	-20 °C
Operating temperature	-20 - 70°C		

**Environmental Product Compliance**

REACH SVHC	Lead 7439-92-1
------------	----------------

**Connection data**

Distributor outlet	Fixed cable version
--------------------	---------------------

**Electrical data**

Rated voltage, min.	15 V	Rated voltage, max.	30 V
Max. current-carrying capacity per slot	2 A	Total current	6 A

**General technical data**

Protection degree	IP68	Number of poles	14
Number of contact sockets	12	Connection thread	M8
Pollution severity	3	LED	Yes

**Material data**

Housing main material	Pocan	Housing colour	grey, RAL 7032
Contact material	CuZn	Contact surface	Gold-plated
Contact carrier material	PBT (UL 94 V0)		

**Technical data cable**

Cable length	15 m	Suitable for cable carriers	Yes
Number of poles	14	Wire cross section	12 x 0.34 mm <sup>2</sup> + 2 x 0.75 mm <sup>2</sup>
O.D.	7.7 mm	Shielded	No
Sheath material	PUR	Sheathing colour	black
Halogen	No	Bending radius, min., moving	10 x cable diameter
Bending cycles	2 Mio		

**Classifications**

ETIM 6.0	EC002585	ETIM 7.0	EC002585
eClass 9.0	27-44-01-08	eClass 9.1	27-44-01-08
eClass 10.0	27-44-01-08		

**Data sheet****SAI Passive  
SAI-12-F 3P M8 L 15M**

**Weidmüller Interface GmbH & Co. KG**  
Klingenbergstraße 26  
D-32758 Detmold  
Germany  
Fon: +49 5231 14-0  
Fax: +49 5231 14-292083  
www.weidmueller.com

**Technical data****Approvals**

Approvals



ROHS

Conform

**Downloads**

Brochure/Catalogue

[FL FIELDWIRING EN](#)

Engineering Data

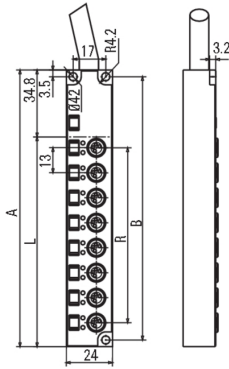
[STEP](#)

**SAI Passive  
SAI-12-F 3P M8 L 15M**

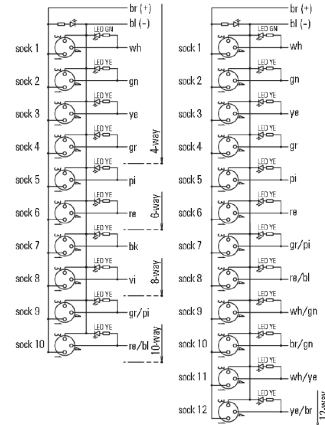
**Weidmüller Interface GmbH & Co. KG**  
 Klingenbergstraße 26  
 D-32758 Detmold  
 Germany  
 Fon: +49 5231 14-0  
 Fax: +49 5231 14-292083  
 www.weidmueller.com

**Drawings**

**Dimensioned drawing**



**Wiring diagram**



**Data sheet**

**SAI Passive  
SAI-12-F 3P M8 L 15M**

**Weidmüller Interface GmbH & Co. KG**  
 Klingenbergstraße 26  
 D-32758 Detmold  
 Germany  
 Fon: +49 5231 14-0  
 Fax: +49 5231 14-292083  
 www.weidmueller.com

**Accessories**

**Tool**

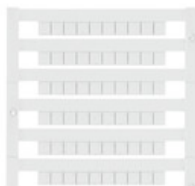


Tools for stripping the sheathing from uncut power lines and outlet lines, plus screwdrivers for installing Pick-to-Light components.

**General ordering data**

Type	SCREWTY SET -DM	Version
Order No.	<a href="#">1920000000</a>	Tools, Bolting tool
GTIN (EAN)	4032248436859	
Qty.	1 pc(s).	

**Blank**



The Dekafix (DEK) marker is the universal marker for all conductor and plug-in connectors as well as for electronic sub-assemblies. The system is ideal for short number sequences and covers a wide range of ready-printed markers.

Strips for fast installation in only one work step. The printing is easy to read, rich in contrast and available in various widths.

- Large range of ready-to-use markers
- Strips for fast installation
- Terminal markers, suitable for all Weidmüller cable connectors
- Available as blank MultiCard or with standard printing

**For custom printing:** Please send us a file of our labeling software M-Print PRO or M-Print PRO Online (without installation) for your labeling specifications.

**General ordering data**

Type	DEK 5/5 MC NE WS	Version
Order No.	<a href="#">1609801044</a>	Dekafix, Terminal marker, 5 x 5 mm, Pitch in mm (P): 5.00
GTIN (EAN)	4008190397111	Weidmueller, white
Qty.	1,000 pc(s).	

**Data sheet****SAI Passive  
SAI-12-F 3P M8 L 15M**

**Weidmüller Interface GmbH & Co. KG**  
Klingenbergstraße 26  
D-32758 Detmold  
Germany  
Fon: +49 5231 14-0  
Fax: +49 5231 14-292083  
www.weidmueller.com

**Accessories****M8**

Protective caps protect unassigned plug-in stations against external influences.

**General ordering data**

Type	SAI-SK M8	Version
Order No.	<a href="#">1802760000</a>	Protected component assemblies, Protective cap
GTIN (EAN)	4032248257379	
Qty.	50 pc(s).	