

**Industrial Ethernet
IE-C5DS4UG0005MBSA20-E**

Weidmüller Interface GmbH & Co. KG
Klingenbergstraße 26
D-32758 Detmold
Germany
Fon: +49 5231 14-0
Fax: +49 5231 14-292083
www.weidmueller.com



Assembled IE cables, PROFINET, Cat. 5, PUR, green

General ordering data

Type	IE-C5DS4UG0005MBSA20-E
Order No.	1234750005
Version	System cable, M12 D-code – flange, RJ45 IP 20, Cat.5 (ISO/IEC 11801) / Cat.5e (TIA T568-B), PUR, 0.5 m
GTIN (EAN)	4050118023794
Qty.	1 pc(s).

Creation date May 2, 2020 4:18:40 PM CEST

Catalogue status 17.04.2020 / We reserve the right to make technical changes.

**Industrial Ethernet
IE-C5DS4UG0005MBSA20-E**

Weidmüller Interface GmbH & Co. KG
Klingenbergstraße 26
D-32758 Detmold
Germany
Fon: +49 5231 14-0
Fax: +49 5231 14-292083
www.weidmueller.com

Technical data
Dimensions and weights

Length	0.5 m	Length (inches)	0.02 inch
Net weight	61 g	Insulation cross-section	1.5 mm

Temperatures

Operating temperature, max.	70 °C	Operating temperature, min.	-40 °C
Storage temperature, max.	70 °C	Storage temperature, min.	-50 °C
Operating temperature	-40 °C...70 °C	Storage temperature	-50 °C...70 °C
Installation temperature	-20 °C...60 °C		

Environmental Product Compliance

REACH SVHC	Lead 7439-92-1
------------	----------------

Cable structure

Cross-section	4*AWG 22/7 - 0.36 mm ²	Insulation cross-section	1.5 mm
Shielding	360° shield contact	Material sheath	PUR
Sheath diameter, max.	6.7 mm	Sheathing colour	green (RAL 6018)

Electrical properties of cable

Category	Cat.5 (ISO/IEC 11801) / Cat.5e (TIA T568-B)
----------	--

Mechanical and material properties of cable

Min. bending radius, once only	5 x cable diameter	Min. bending radius, repetitive	15 x cable diameter
Abrasion resistance	very good		

plug

Connector left	M12 D-code – flange	Connector right	RJ45 IP 20
----------------	---------------------	-----------------	------------

Classifications

ETIM 6.0	EC002599	ETIM 7.0	EC002599
eClass 9.0	27-06-03-08	eClass 9.1	27-06-03-08
eClass 10.0	27-06-03-08		

Approvals

ROHS	Conform
------	---------

Downloads

Brochure/Catalogue	CAT 9 IETH 18/19 EN FL FIELDWIRING EN PI PROFINET CABLING EN
User Documentation	MAN IE GUIDE DE MAN IE GUIDE EN

Data sheet

**Industrial Ethernet
IE-C5DS4UG0005MBSA20-E**

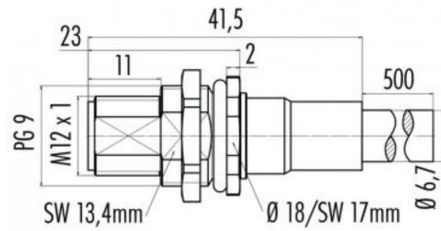
Weidmüller Interface GmbH & Co. KG
 Klingenbergstraße 26
 D-32758 Detmold
 Germany
 Fon: +49 5231 14-0
 Fax: +49 5231 14-292083
 www.weidmueller.com

Drawings

Wiring diagram

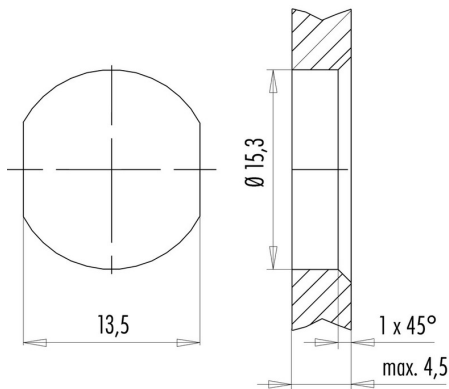
RJ45		M12
1	yellow	1
3	white	2
2	orange	3
6	blue	4

Dimensioned drawing



Hexagon nut enclosed loosely

Dimensioned drawing



with through hole

**Industrial Ethernet
IE-C5DS4UG0005MBSA20-E**

Weidmüller Interface GmbH & Co. KG
 Klingenbergstraße 26
 D-32758 Detmold
 Germany
 Fon: +49 5231 14-0
 Fax: +49 5231 14-292083
 www.weidmueller.com

Accessories**Blank**

TM-I is an acknowledged and accredited marker type for traffic engineering applications. There are five different tag lengths available for individual labelling with long character strings. Easy handling of separation and installation thanks to the project marker field. Pre-attachment of sleeves and retrofitting of tags offer excellent versatility

The special contour of TM-I allows easy assembly and secures firm positioning. They are compatible with a number of commercially available sleeves. Thanks to the MultiCard format, the tags can be printed quickly and conveniently with the SMark laser printer, PrintJet ADVANCED, plotter, MC-Mobilo or the STI pen.

- Easy handling of separation and installation thanks to the project marker field.
- Acknowledged and accredited marker for traffic engineering applications
- Pre-attachment of sleeves and retrofitting of tags offer excellent versatility
- Not suited for labelling with P-Ink or STI pen in connection with CLI T sleeves

For custom printing: Please send us a file of our labeling software M-Print PRO or M-Print PRO Online (without installation) for your labeling specifications.

General ordering data

Type	TM-I 12 MC NE WS	Version
Order No.	1718411044	TM-I, Insert markers, 12 x 4 mm, white
GTIN (EAN)	4008190348977	
Qty.	320 pc(s).	

Tool

Tools for stripping the sheathing from uncut power lines and outlet lines, plus screwdrivers for installing Pick-to-Light components.

General ordering data

Type	SCREWTY SET -DM	Version
Order No.	1920000000	Tools, Bolting tool
GTIN (EAN)	4032248436859	
Qty.	1 pc(s).	

**Industrial Ethernet
IE-C5DS4UG0005MBSA20-E**

Weidmüller Interface GmbH & Co. KG
Klingenbergstraße 26
D-32758 Detmold
Germany
Fon: +49 5231 14-0
Fax: +49 5231 14-292083
www.weidmueller.com

Accessories

Type	SCREWTY-M12-DM	Version
Order No.	1900001000	Tools, Cable gland tool for moulded M12 lines
GTIN (EAN)	4032248436408	
Qty.	1 pc(s).	

Blank



TM-I is an acknowledged and accredited marker type for traffic engineering applications. There are five different tag lengths available for individual labelling with long character strings. Easy handling of separation and installation thanks to the project marker field. Pre-attachment of sleeves and retrofitting of tags offer excellent versatility

The special contour of TM-I allows easy assembly and secures firm positioning. They are compatible with a number of commercially available sleeves. Thanks to the MultiCard format, the tags can be printed quickly and conveniently with the SMark laser printer, PrintJet ADVANCED, plotter, MC-Mobilo or the STI pen.

- Easy handling of separation and installation thanks to the project marker field.
- Acknowledged and accredited marker for traffic engineering applications
- Pre-attachment of sleeves and retrofitting of tags offer excellent versatility
- Not suited for labelling with P-Ink or STI pen in connection with CLI T sleeves

For custom printing: Please send us a file of our labeling software M-Print PRO or M-Print PRO Online (without installation) for your labeling specifications.

General ordering data

Type	TM-I 18 MC NE WS	Version
Order No.	1718431044	TM-I, Insert markers, 18 x 4 mm, white
GTIN (EAN)	4008190349011	
Qty.	320 pc(s).	

**Industrial Ethernet
IE-C5DS4UG0005MBSA20-E**

Weidmüller Interface GmbH & Co. KG
 Klingenbergstraße 26
 D-32758 Detmold
 Germany
 Fon: +49 5231 14-0
 Fax: +49 5231 14-292083
 www.weidmueller.com

Accessories
Screwty® cable gland tool

The ideal tool for any application

Screwty® is the ideal, all-purpose tool for tightening all common sensor and actuator cables. Even difficult-to-reach round plugs are accessible using the Screwty®. A simple turning movement tightens and loosens the connectors without the need for excessive force. The Screwty® is a unique and global solution since it fits with most cables and plugs from other vendors (over 90 %). The Screwty® consists of a handle with a conventional 1/4" adapter. Thus it can be used for all sizes: for M12 and M8 round plug-in connectors, and for M12F and M8F customisable plugs and sockets, as well as for all M23 plugs and sockets.

General ordering data

Type	SCREWTY- M12	Version
Order No.	1900000000	Tools, Cable gland tool for moulded M12 lines
GTIN (EAN)	4032248375868	
Qty.	1 pc(s).	
Type	SCREWTY SET	Version
Order No.	1910000000	Tools, Bolting tool
GTIN (EAN)	4032248436842	
Qty.	1 pc(s).	