

SAI-M23-BE-6-17MM**Weidmüller Interface GmbH & Co. KG**

Klingenbergstraße 26

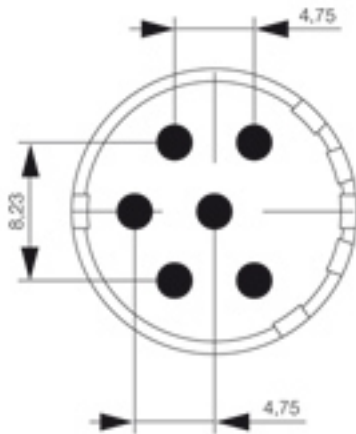
D-32758 Detmold

Germany

Fon: +49 5231 14-0

Fax: +49 5231 14-292083

www.weidmueller.com



The M23 round plug-in connectors offer a high number of mating cycles, high current-carrying capacity and high contact-density coupled with minimum dimensions. Enclosures, inserts and crimp contacts need to be ordered separately.

General ordering data

Type	SAI-M23-BE-6-17MM
Order No.	1224040000
Version	Sensor/Actuator plug-in connector
GTIN (EAN)	4050118008050
Qty.	1 pc(s).

Creation date May 2, 2020 3:15:38 PM CEST

Catalogue status 17.04.2020 / We reserve the right to make technical changes.

SAI-M23-BE-6-17MM**Weidmüller Interface GmbH & Co. KG**

Klingenbergstraße 26

D-32758 Detmold

Germany

Fon: +49 5231 14-0

Fax: +49 5231 14-292083

www.weidmueller.com

Technical data**Dimensions and weights**

Net weight 15 g

Temperatures

Operating temperature, max. 125 °C Operating temperature, min. -40 °C

Environmental Product Compliance

REACH SVHC Lead 7439-92-1

Standards

Certificate No. (UR) E344862

General data

Coding	none	Conductor O.D.	-
Connection thread	M23	Contact material	Copper-Zinc alloy
Contact number / diameter	6 x 2 mm	Contact surface	Gold-plated
Fire behaviour	V-0	Housing main material	Thermoplastic polyamide PA 6, PBT
Insulation strength	> 10 ¹⁰ Ω	Number of poles	6
Plugging cycles	> 1000	Rated current	20 A
Type of connection	Solder connection		

Classifications

ETIM 6.0	EC000438	ETIM 7.0	EC000438
eClass 9.1	27-44-02-05	eClass 10.0	27-44-02-23

Product information

Product information Enclosures, inserts and crimp contacts need to be ordered separately.

Approvals

Approvals



ROHS Conform

Downloads

Brochure/Catalogue [CAT 8 SAI 15/16 EN](#)
[FL FIELDWIRING EN](#)