

**D-SERIES DRW / DRH  
DRH276220LT**

**Weidmüller Interface GmbH & Co. KG**  
Klingenbergstraße 26  
D-32758 Detmold  
Germany  
Fon: +49 5231 14-0  
Fax: +49 5231 14-292083  
www.weidmueller.com

**Product image**


Similar to illustration

Relay from the D-SERIES DRH DC.

- 1 NO contact or 1 NC contact (internal series connection of contacts) variants
- 2 NO contacts or 1 NO contact and 1 NC contact variants
- Suitable for switching high DC loads
- Erosion-resistant AgSnO<sub>2</sub> contact
- Integrated blow magnet
- Wide range of coil voltages
- With integrated status display (AC red, DC green)
- With test button

**General ordering data**

|            |   |
|------------|---|
| Type       | DRH276220LT   |
| Order No.  | <a href="#">1220190000</a>  |
| Version    | D-SERIES DRW / DRH, Relay, Number of contacts: 2 NO contact with blow-out magnet and test button AgSnO <sub>2</sub> , Rated control voltage: 220 V DC, Continuous current: 16 A, Flat blade connections (4.8 mm x 0.5 mm) |
| GTIN (EAN) | 4032248998647   |
| Qty.       | 10 pc(s).   |

Creation date May 2, 2020 3:01:35 PM CEST

**D-SERIES DRW / DRH  
DRH276220LT**

**Weidmüller Interface GmbH & Co. KG**  
 Klingenbergstraße 26  
 D-32758 Detmold  
 Germany  
 Fon: +49 5231 14-0  
 Fax: +49 5231 14-292083  
 www.weidmueller.com

**Technical data****Dimensions and weights**

|            |        |                 |            |
|------------|--------|-----------------|------------|
| Width      | 36 mm  | Width (inches)  | 1.417 inch |
| Height     | 36 mm  | Height (inches) | 1.417 inch |
| Depth      | 48 mm  | Depth (inches)  | 1.89 inch  |
| Net weight | 84.9 g |                 |            |

**Temperatures**

|                             |                                      |                             |                |
|-----------------------------|--------------------------------------|-----------------------------|----------------|
| Humidity                    | 35 % to 85 % relative humidity level | Operating temperature, max. | 60 °C          |
| Operating temperature, min. | -40 °C                               | Storage temperature, max.   | 60 °C          |
| Storage temperature, min.   | -40 °C                               | Operating temperature       | -40 °C...60 °C |
| Storage temperature         | -40 °C...60 °C                       |                             |                |

**Environmental Product Compliance**

REACH SVHC Lead 7439-92-1

**Rated data UL**

Certificate No. (cURus) E312083

**Input**

|                       |                |                                |                 |
|-----------------------|----------------|--------------------------------|-----------------|
| Rated control voltage | 220 V DC       | Rated current DC               | 6.7 mA          |
| Power rating          | 1.5 W          | Pull-in/drop-out voltage, typ. | 154 V / 22 V DC |
| Coil resistance       | 33000 Ω ± 10 % | Status indicator               | Green LED       |

**Output**

|   |               |   |               |
|---|---------------|---|---------------|
| Rated switching voltage                 | 250 V AC      | Max. switching voltage, AC              | 250 V         |
| Max. switching voltage, DC              | 300 V         | Continuous current                      | 16 A          |
| Inrush current                          | 80 A / 50 ms  | AC switching capacity (resistive), max. | 4000 VA       |
| DC switching capacity (resistive), max. | 660 W @ 220 V | Switch-on delay                         | < 20 ms       |
| Switch-off delay                        | < 20 ms       | Min. switching power                    | 100 mA @ 12 V |
| Max. switching frequency at rated load  | 1 Hz          |   |               |

**Contact data**

|                         |   |                    |         |
|-------------------------|---|--------------------|---------|
| Contact type            | 2 NO contact with blow-out magnet and test button (AgSnO <sub>2</sub> ) | Contact resistance | ≤ 50 mΩ |
| Mechanical service life | 10 x 10 <sup>6</sup> switching cycles                                   |                    |         |

**General data**

|             |                |                                      |     |
|-------------|----------------|--------------------------------------|-----|
| Test button | yes (lockable) | Mechanical switch position indicator | Yes |
| Colour      | Transparent    | UL 94 flammability rating            | V-2 |

**D-SERIES DRW / DRH  
DRH276220LT**

**Weidmüller Interface GmbH & Co. KG**  
 Klingenbergstraße 26  
 D-32758 Detmold  
 Germany  
 Fon: +49 5231 14-0  
 Fax: +49 5231 14-292083  
 www.weidmueller.com

**Technical data****Insulation coordination**

|  |                             |  |                             |
|--|-----------------------------|--|-----------------------------|
| Insulation coordination according to         | EN 61810-1:2008             | Rated voltage                                  | 400 V                       |
| Surge voltage category                       | III                         | Pollution severity                             | 3                           |
| Insulating material group                    | IIIa                        | Protection degree                              | IP20                        |
| Dielectric strength, Input/Output            | 4 kV <sub>eff</sub> / 1 min | Creepage and clearance distance input – output | ≥ 6,3 mm                    |
| Dielectric strength of neighbouring contacts | 4 kV <sub>eff</sub> / 1 min | Dielectric strength of open contact            | 4 kV <sub>eff</sub> / 1 min |

**Further details of approvals / standards**

|           |  |                         |         |
|-----------|--|-------------------------|---------|
| Standards | IEC 61810-1, EN 60664-1:2007, EN 61000-6-2:2005, EN 61000-6-4:2007 + A1:2011, UL 508 | Certificate No. (cURus) | E312083 |
|-----------|--|-------------------------|---------|

**Connection data**

|                        |   |
|------------------------|---|
| Wire connection method | Flat blade connections<br>(4.8 mm x 0.5 mm) |
|------------------------|---|

**Classifications**

|             |             |            |             |
|-------------|-------------|------------|-------------|
| ETIM 6.0    | EC001437    | ETIM 7.0   | EC001437    |
| eClass 9.0  | 27-37-16-01 | eClass 9.1 | 27-37-16-01 |
| eClass 10.0 | 27-37-16-01 |            |             |

**Approvals**

Approvals



ROHS Conform

**Downloads**

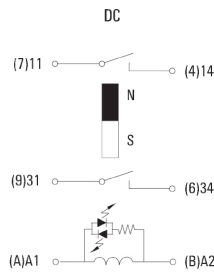
|   |   |
|---|---|
| Approval/Certificate/Document of Conformity | <a href="#">EU Konformitätserklärung / EU Declaration of Conformity</a> |
| Brochure/Catalogue                          | <a href="#">CAT 4.2 ELECTR 18/19 EN</a>                                 |
| Engineering Data                            | <a href="#">EPLAN, WSCAD</a>  |
| Engineering Data                            | <a href="#">STEP</a>  |

**D-SERIES DRW / DRH  
DRH276220LT**

**Weidmüller Interface GmbH & Co. KG**  
Klingenbergstraße 26  
D-32758 Detmold  
Germany  
Fon: +49 5231 14-0  
Fax: +49 5231 14-292083  
www.weidmueller.com

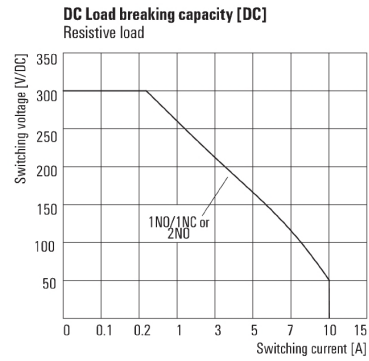
**Drawings**

**Wiring diagram**



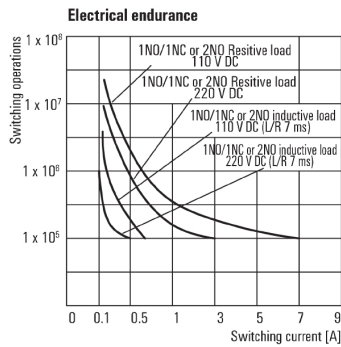
View of Pins from below

**Graph**



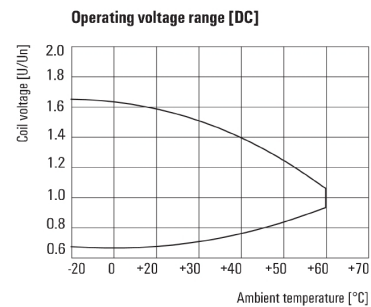
DC load limit curve  
Resistive load

**Graph**



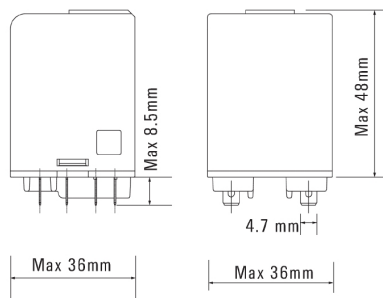
Electrical service life

**Graph**



DC operational voltage range

**Dimensional drawing**



**D-SERIES DRW / DRH  
DRH276220LT**

**Weidmüller Interface GmbH & Co. KG**  
Klingenbergstraße 26  
D-32758 Detmold  
Germany  
Fon: +49 5231 14-0  
Fax: +49 5231 14-292083  
www.weidmueller.com

**Mating connector (fully pluggable)****Base**

Accessories for D-SERIES relays include:

- Relay bases
- LED / Protective modules
- Metal retaining clips

**General ordering data**

|            |                            |   |
|------------|----------------------------|---|
| Type       | SPW ECO 3CO                | Version   |
| Order No.  | <a href="#">1220250000</a> | D-SERIES DRW / DRH, Relay bases, Number of contacts: 3 CO |
| GTIN (EAN) | 4032248100101              | contact, Continuous current: 16 A, Screw connection       |
| Qty.       | 10 pc(s).                  |   |

**Data sheet****D-SERIES DRW / DRH  
DRH276220LT**

**Weidmüller Interface GmbH & Co. KG**  
Klingenbergstraße 26  
D-32758 Detmold  
Germany  
Fon: +49 5231 14-0  
Fax: +49 5231 14-292083  
www.weidmueller.com

**Accessories****Base**

Accessories for D-SERIES relays include:

- Relay bases
- LED / Protective modules
- Metal retaining clips

**General ordering data**

|            |                            |   |
|------------|----------------------------|---|
| Type       | SPW ECO 3CO                | Version   |
| Order No.  | <a href="#">1220250000</a> | D-SERIES DRW / DRH, Relay bases, Number of contacts: 3 CO |
| GTIN (EAN) | 4032248100101              | contact, Continuous current: 16 A, Screw connection       |
| Qty.       | 10 pc(s).                  |   |

## D-SERIES DRW / DRH DRH276220LT

**Weidmüller Interface GmbH & Co. KG**  
 Klingenbergstraße 26  
 D-32758 Detmold  
 Germany  
 Fon: +49 5231 14-0  
 Fax: +49 5231 14-292083  
 www.weidmueller.com

# Accessories

## Blank



ESG is the tried-and-tested marker in MultiCard format for use on many well-known electrical devices. The result is high-quality device marking with a high-contrast appearance.

Various types are available for devices from the following manufacturers:

- Siemens
- Télémecanique
- ABB
- Beckhoff
- Lumberg
- Tags for all-purpose usage; self-adhesive or clip-on tags, depending on the type

Advantages at a glance:

- Tags for universal usage, self-adhesive or clip-on tags, depending on type
- For aligned equipment, e.g. circuit breakers, we supply ESG markers for clipping onto tag rails
- Individual laser-quality printing according to specifications

**For custom printing:** Please send us a file of our labeling software M-Print PRO or M-Print PRO Online (without installation) for your labeling specifications.

Please note that these markers are not intended for printing with the SpeedMarking laser.

### General ordering data

|            |                            |   |
|------------|----------------------------|---|
| Type       | ESG 6/17 K MC NE GE        | Version   |
| Order No.  | <a href="#">1880110000</a> | ESG, Device markers x 17 mm, PA 66, Colour: yellow, Self-adhesive |
| GTIN (EAN) | 4032248478798              |   |
| Qty.       | 200 pc(s).                 |   |
| Type       | ESG 6/17 K MC NE WS        | Version   |
| Order No.  | <a href="#">1880120000</a> | ESG, Device markers x 17 mm, PA 66, Colour: white, Self-adhesive  |
| GTIN (EAN) | 4032248478804              |   |
| Qty.       | 200 pc(s).                 |   |

**D-SERIES DRW / DRH  
DRH276220LT**

**Weidmüller Interface GmbH & Co. KG**  
Klingenbergstraße 26  
D-32758 Detmold  
Germany  
Fon: +49 5231 14-0  
Fax: +49 5231 14-292083  
www.weidmueller.com

**Accessories**

**Blank**



ESG is the tried-and-tested marker in MultiCard format for use on many well-known electrical devices. The result is high-quality device marking with a high-contrast appearance.

Various types are available for devices from the following manufacturers:

- Siemens
- Télémecanique
- ABB
- Beckhoff
- Lumberg
- Tags for all-purpose usage; self-adhesive or clip-on tags, depending on the type

Advantages at a glance:

- Tags for universal usage, self-adhesive or clip-on tags, depending on type
- For aligned equipment, e.g. circuit breakers, we supply ESG markers for clipping onto tag rails
- Individual laser-quality printing according to specifications

**For custom printing:** Please send us a file of our labeling software M-Print PRO or M-Print PRO Online (without installation) for your labeling specifications.

Please note that these markers are not intended for printing with the SpeedMarking laser.

**General ordering data**

|            |                            |   |
|------------|----------------------------|---|
| Type       | ESG 6/15 K MC NE GE        | Version   |
| Order No.  | <a href="#">1880130000</a> | ESG, Device markers x 15 mm, PA 66, Colour: yellow, Self-adhesive |
| GTIN (EAN) | 4032248478910              |   |
| Qty.       | 200 pc(s).                 |   |
| Type       | ESG 6/15 K MC NE WS        | Version   |
| Order No.  | <a href="#">1880100000</a> | ESG, Device markers x 15 mm, PA 66, Colour: white, Self-adhesive  |
| GTIN (EAN) | 4032248478781              |   |
| Qty.       | 200 pc(s).                 |   |



## D-SERIES DRW / DRH DRH276220LT

**Weidmüller Interface GmbH & Co. KG**  
 Klingenbergstraße 26  
 D-32758 Detmold  
 Germany  
 Fon: +49 5231 14-0  
 Fax: +49 5231 14-292083  
 www.weidmueller.com

# Accessories

### Blank, adhesive backing



The new SwitchMark markers have been designed for identifying rotary selector switches from ABB (SM 19/42 K MC) as well as control and signalling devices from Siemens (SM 18/9.5 K MC).

Suitable for:  
 SM 18/9.5 K MC: Siemens, type 3SB  
 SM 19/42 K MC: ABB, tag carrier type ONFB72

**For custom printing:** Please send us a file of our labeling software M-Print PRO or M-Print PRO Online (without installation) for your labeling specifications.

Please note that these markers are not intended for printing with the SpeedMarking laser.

### General ordering data

|            |                            |   |  |
|------------|----------------------------|---|--|
| Type       | SM 18/9.5 K MC NE GR       | Version   |  |
| Order No.  | <a href="#">1248610000</a> | SwitchMark, Device markers, 9.5 x 18 mm, grey                 |  |
| GTIN (EAN) | 4050118038675              |   |  |
| Qty.       | 200 pc(s).                 |   |  |
| Type       | SM 18/9.5 K MC NE WS       | Version   |  |
| Order No.  | <a href="#">1248580000</a> | SwitchMark, Device markers, 9.5 x 18 mm, white                |  |
| GTIN (EAN) | 4050118038965              |   |  |
| Qty.       | 200 pc(s).                 |   |  |
| Type       | SM 18/9.5 K MC NE GE       | Version   |  |
| Order No.  | <a href="#">1248590000</a> | SwitchMark, Device markers, 9.5 x 18 mm, Siemens 3 SB, yellow |  |
| GTIN (EAN) | 4050118038958              |   |  |
| Qty.       | 200 pc(s).                 |   |  |

### Retaining clip



Accessories for D-SERIES relays include:

- Relay bases
- LED / Protective modules
- Metal retaining clips

### General ordering data

|            |                            |                                    |  |
|------------|----------------------------|------------------------------------|--|
| Type       | DRW/DRH CLIP M             | Version                            |  |
| Order No.  | <a href="#">1220260000</a> | D-SERIES DRW / DRH, Retaining clip |  |
| GTIN (EAN) | 4032248999576              |                                    |  |
| Qty.       | 10 pc(s).                  |                                    |  |

**D-SERIES DRW / DRH  
DRH276220LT**

**Weidmüller Interface GmbH & Co. KG**  
Klingenbergstraße 26  
D-32758 Detmold  
Germany  
Fon: +49 5231 14-0  
Fax: +49 5231 14-292083  
www.weidmueller.com

**Accessories**
**Test button cover**


You place stringent demands on your relay combinations in industrial environments. Our D-SERIES relay modules were

designed specifically for challenging industrial applications.

Let's connect.

In many industrial applications voltages between 110 and 220 V

are used to control actuators. With load currents exceeding 100 mA

these high voltages produce arcing that causes a great deal of wear on the relay contacts.

We have designed our D-SERIES relay modules specifically for universal usage

in a wide range of industrial applications. They are much more reliable

than conventional solutions, which minimises costs for maintenance and replacement.

Thanks to series connected contacts, built-in blow magnets and low-wear

contacts, arcing is effectively

suppressed with D-SERIES products – resulting in a noticeably longer service life.

**General ordering data**

|            |                            |                                       |
|------------|----------------------------|---------------------------------------|
| Type       | Test Lever Block DRH/DRW   | Version                               |
| Order No.  | <a href="#">7760056249</a> | D-SERIES DRW / DRH, Test button cover |
| GTIN (EAN) | 6944169641626              |                                       |
| Qty.       | 10 pc(s).                  |                                       |

**Protective modules**


Accessories for D-SERIES relays include:

- Relay bases
- LED / Protective modules
- Metal retaining clips

**General ordering data**

|            |                            |   |
|------------|----------------------------|---|
| Type       | RIM 5 6/230VDC             | Version   |
| Order No.  | <a href="#">1174650000</a> | D-SERIES, Free-wheeling diode, Rated control voltage: 6...230 V DC, |
| GTIN (EAN) | 4032248971305              | Plug-in connection  |
| Qty.       | 10 pc(s).                  |   |

**D-SERIES DRW / DRH  
DRH276220LT**

**Weidmüller Interface GmbH & Co. KG**  
Klingenbergstraße 26  
D-32758 Detmold  
Germany  
Fon: +49 5231 14-0  
Fax: +49 5231 14-292083  
www.weidmueller.com

**Accessories**

**Blank**



ESG is the tried-and-tested marker in MultiCard format for use on many well-known electrical devices. The result is high-quality device marking with a high-contrast appearance.

Various types are available for devices from the following manufacturers:

- Siemens
- Télémecanique
- ABB
- Beckhoff
- Lumberg
- Tags for all-purpose usage; self-adhesive or clip-on tags, depending on the type

Advantages at a glance:

- Tags for universal usage, self-adhesive or clip-on tags, depending on type
- For aligned equipment, e.g. circuit breakers, we supply ESG markers for clipping onto tag rails
- Individual laser-quality printing according to specifications

**For custom printing:** Please send us a file of our labeling software M-Print PRO or M-Print PRO Online (without installation) for your labeling specifications.

Please note that these markers are not intended for printing with the SpeedMarking laser.

**General ordering data**

|            |                            |  |
|------------|----------------------------|--|
| Type       | ESG 9/11 K MC NE WS        | Version  |
| Order No.  | <a href="#">1857440000</a> | ESG, Device markers x 11 mm, PA 66, Colour: white, Self-adhesive |
| GTIN (EAN) | 4032248402731              |  |
| Qty.       | 200 pc(s).                 |  |

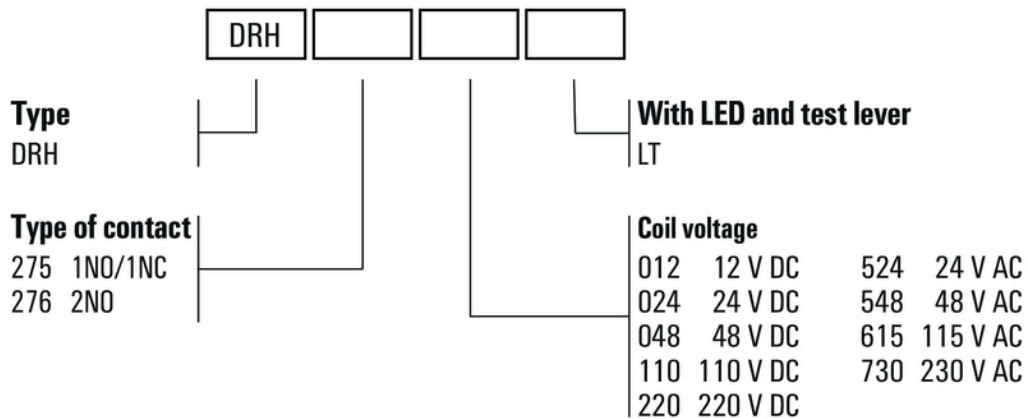
**Data sheet**

**D-SERIES DRW / DRH  
DRH276220LT**

**Weidmüller Interface GmbH & Co. KG**  
 Klingenbergstraße 26  
 D-32758 Detmold  
 Germany  
 Fon: +49 5231 14-0  
 Fax: +49 5231 14-292083  
 www.weidmueller.com

**Drawings**

**Miscellaneous**



Type codes